

# Technical Bulletin



## Condition

### Customer States the Intermittent Wiper Function Operates Erratic on Vehicles With Rain Sensor

Customer may state that the intermittent wiper function operates erratic or the wiper intermittent function does not change when dial is changed.

92 06 06 Oct. 20, 2006 2013173

Model(s)	Year	Eng. Code	Trans. Code	VIN Range From	VIN Range To
Touareg	2007	All	All	7L_7D000001	7L_7D034999

## Technical Background

Intermittent wiper function operates erratic on vehicles with rain sensor - G213-. Wiper intermittent function delay time does not change when dial is changed. This condition may be present on early production rain sensors.

## Production Solution

Improved Rain Sensor - G213- as of VIN: 7L\_7D035000.

## Service

### Rain Sensor -G213- Installing



- Identify rain sensor 1K095559R/T (there is only one set of diodes in the center of the part that contacts the windshield).

# Technical Bulletin



- Install improved rain sensor Part No: 1K0955559AB.



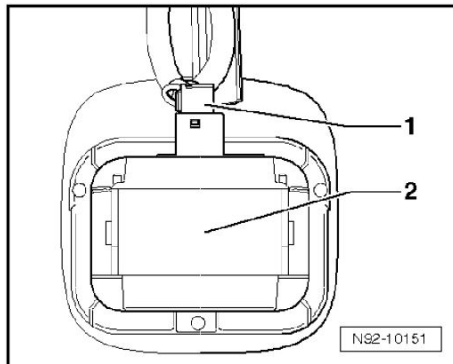
**Tip:**

Part number(s) are for reference only. Always see ETKA for the latest part(s) information.



**Tip:**

The improved rain sensor is identifiable by the white optical receptors - arrows-, or if view closely, the stacked diamond shape through the middle of the sensor.



## Removal



**Note:**

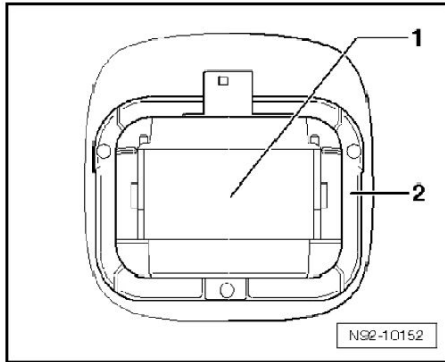
Switch off all electrical consumers.

Switch off ignition and remove ignition key.

Remove interior mirror.

- Disconnect electrical connection - 1- from sensor -2-.

# Technical Bulletin



- Using a screwdriver, pry Rain Sensor - G213- or Rain/Light Recognition Sensor - G397- -1- from bracket -2-.

**!** **Note:**

When removing, make sure to pry off complete Rain Sensor -G213- or Rain/Light Recognition Sensor -G397- and not only the upper casing of Rain Sensor -G213- or of Rain/Light Recognition Sensor -G397-.

Upper shell of sensor is easily detached and may break when removing (prying). Use care to ensure complete sensor is removed from frame.

## Installation

Install in reverse order of removal, noting the following:

- The windshield surface inside the sensor mounting frame must be thoroughly cleaned prior to installing sensor.
- Ensure the sensor's optical receptor is kept clean and free from contaminants (dust particles, dirt etc.).
- In the event the sensor's optical receptor becomes contaminated (dust, dirt etc.), remove contaminants by gently applying the adhesive side of a suitable tape strip to surface, or use commercially available low pressure aerosol compressed air.
- When installing, the sensor's optical receptor must make uninterrupted and even contact with the windshield surface (no air bubbles).

## Warranty

When procedure applies to vehicles within the New Vehicle Limited Warranty, use the following:	
Claim Type:	W2
Part Identifier:	9212
Damage Code:	9212 16 __ __ * 2
Labor Operation:	92121900 = 40TU
Diagnostic Time:	No Additional Diagnostic Time Allowed
Claim Comment: Input "As per Technical Bulletin 2013173" in comment section of Warranty Claim.	

\* Code per warranty vendor code policy.

# Technical Bulletin



---

## Required Parts and Tools

Description	Part No:	Quantity
Rain Sensor	1K095559AB	1

No Special Tools required.