

Technical Bulletin



Condition

Customer States Whining Noise from Rear of Vehicle

39 06 02 Dec. 8, 2006, 2013367, Supersedes Technical Bulletin Group 39 number 05-01 dated April 27, 2005 due to updated meta data/content, removal from RVU status, and inclusion into ElsaWeb.

| Model(s) | Year | Eng. Code | Trans. Code | VIN Range From | VIN Range To |
|-----------------------|------|-----------|-------------|----------------|--------------|
| Touareg (CAN only) | 2004 | All | All | 7L_4D000039 | 7L_4D059806 |

Technical Background

Vehicles equipped with differential lock may need the new final drive gear oil.

Production Solution

New final drive gear oil as of VIN: 7L_4D059807.

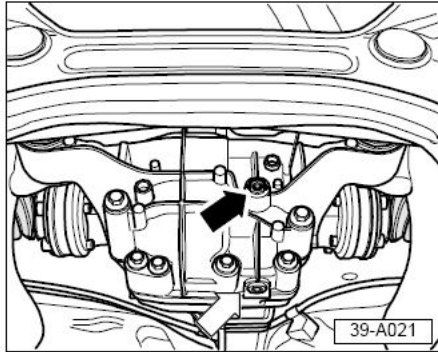
Service

Verify the customer concern.

- If whining noise is present, continue with this Technical Bulletin.

Change oil in rear final drive with differential lock as follows:

Technical Bulletin



- Remove rear final drive drain plug -white arrow- and drain oil.
- Remove gear oil inspection (filler) plug -black arrow-.

With oil drained:

- Install new drain plug Part No: 0AA409057 -white arrow-.

Tightening torque = 35 Nm.

- Fill gear oil (approx. 1.6L).

Oil level is correct when the rear final drive is filled to lower edge of filler hole at -black arrow-.

With oil filled to proper level:

- Install new filler plug -black arrow-.

Tightening torque = 35 Nm.

Warranty

| | |
|--|---------------------------------------|
| When procedure applies to vehicles within the New Vehicle Limited Warranty, use the following: | |
| Claim Type: | W2 |
| Part Identifier: | 3989 |
| Damage Code: | 3989 10 _ _ _ * 1 |
| Labor Operation: Change final drive oil | 39891999 = 20 TU |
| Labor Operation: Road test to verify concern | 01210002 = 10 TU |
| Labor Operation: Road test to verify repair | 01210004 = 10 TU |
| Diagnostic Time: | No Additional Diagnostic Time Allowed |
| Claim Comment: Input "As per Technical Bulletin 2013367" in comment section of Warranty Claim. | |

* Code per warranty vendor code policy.

Technical Bulletin



Required Parts and Tools

| Description | Part No: | Quantity |
|----------------------|-----------|----------|
| Final Drive Gear Oil | G052196A2 | 2 |
| Drain / Filler Plug | 0AA409057 | 2 |



Tip:

Part number(s) are for reference only. Always see ETKA for the latest part(s) information.