

Technical Bulletin



Condition

Customer States Whining Noise from Rear of Vehicle

39 06 01 Dec. 8, 2006, 2010498, Supersedes Technical Bulletin Group 39 number 05-01 dated April 27, 2005 due to updated meta data/content, removal from RVU status, and inclusion into ElsaWeb.

Model(s)	Year	Eng. Code	Trans. Code	VIN Range From	VIN Range To
Touareg (US only)	2004	All	All	7L_4D000014	7L_4D060119

Technical Background

Vehicles equipped with differential lock may need the new final drive gear oil.

Production Solution

New final drive gear oil as of VIN: 7L_4D060120.

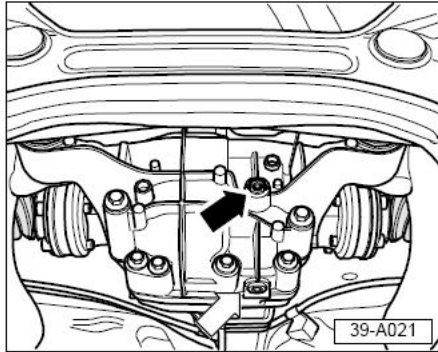
Service

Verify the customer concern.

- If whining noise is present, continue with this Technical Bulletin.

Change oil in rear final drive with differential lock as follows:

Technical Bulletin



- Remove rear final drive drain plug -white arrow- and drain oil.
- Remove gear oil inspection (filler) plug -black arrow-.

With oil drained:

- Install new drain plug Part No: 0AA409057 -white arrow-.

Tightening torque = 35 Nm.

- Fill gear oil (approx. 1.6L).

Oil level is correct when the rear final drive is filled to lower edge of filler hole at -black arrow-.

With oil filled to proper level:

- Install new filler plug -black arrow-.

Tightening torque = 35 Nm.

Warranty

When procedure applies to vehicles within the New Vehicle Limited Warranty, use the following:	
Claim Type:	W2
Part Identifier:	3989
Damage Code:	3989 10 _ _ _ * 1
Labor Operation: Change final drive oil	39891999 = 20 TU
Labor Operation: Road test to verify concern	01210002 = 10 TU
Labor Operation: Road test to verify repair	01210004 = 10 TU
Diagnostic Time:	No Additional Diagnostic Time Allowed
Claim Comment: Input "As per Technical Bulletin 2010498" in comment section of Warranty Claim.	

* Code per warranty vendor code policy.

Technical Bulletin



Required Parts and Tools

Description	Part No:	Quantity
Final Drive Gear Oil	G052196A2	2
Drain / Filler Plug	0AA409057	2



Tip:

Part number(s) are for reference only. Always see ETKA for the latest part(s) information.