

Technical Bulletin



Condition

Instructions: Perform this procedure on all applicable vehicles within the Limited New Vehicle Warranty

RVU - Rain Sensor, Installing (OT)

00 06 11 Oct. 18, 2006 2013193

Model(s)	Year	Eng. Code	Trans. Code	VIN Range From	VIN Range To
Touareg (US only)	2007	All	All	7L_7D000001	7L_7D034999



Tip:

This Technical Bulletin is in effect for 12 months from date of publication as listed above. After that date, this Technical Bulletin will expire and no longer be in effect.

Procedures must be performed **ONLY** on applicable vehicles in Dealer inventory.

Requirements

Vehicle must meet ALL of the following criteria:

- Procedure is valid only for vehicles that show the (OT) code open on the ElsaWeb Campaign / Action Information inquiry screen on the day of repair.
- Vehicle must be within the Limited New Vehicle Warranty.
- Procedure must be performed within the allotted time frame stated in this Technical Bulletin.

Technical Background

Intermittent Wiper Mode May Function Erratically on Vehicles With Rain Sensor, Wiper Intermittent Function Delay Time Does Not Change When Dial is Changed. This condition may be present on early production rain sensors.

Production Solution

Improved Rain Sensor as of VIN: 7L_7D035000.



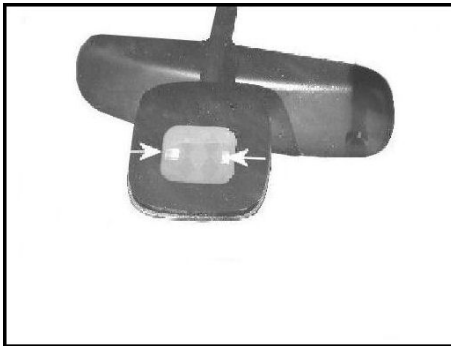
Service

Input VIN into Elsa and check Campaign / Action Information inquiry screen for open Code (OT).

Rain Sensor -G213- Installing



- Identify rain sensor 1K0955559R/T (there is only one set of diodes in the center of the part that contacts the windshield).

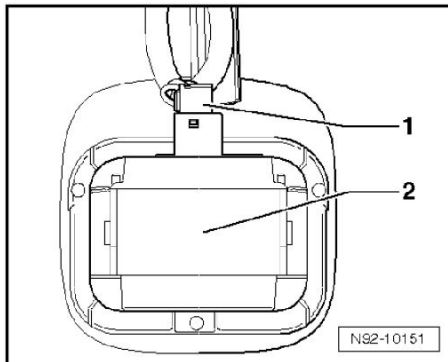


- Install improved rain sensor Part No: 1K0955559AB.



Tip:

The improved rain sensor is identifiable by the white optical receptors - arrows-, or if viewed closely, the stacked diamond shape through the middle of the sensor.



Removal



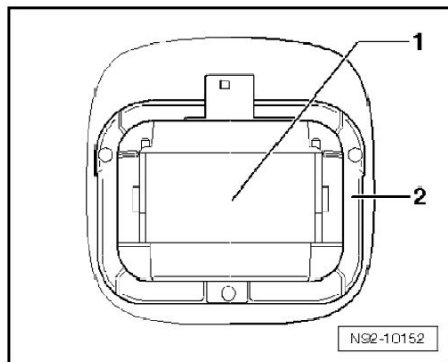
Note:

Switch off all electrical consumers.

Switch off ignition and remove ignition key.

Remove interior mirror.

- Disconnect electrical connection - 1- from sensor -2-.



- Using a screwdriver, pry Rain Sensor - G213- or Rain/Light Recognition Sensor - G397- -1- from bracket -2-.



Note:

When removing, make sure to pry off complete Rain Sensor -G213- or Rain/Light Recognition Sensor -G397- and not only the upper casing of Rain Sensor -G213- or of Rain/Light Recognition Sensor -G397-.

Upper shell of sensor is easily detached and may break when removing (prying). Use care to ensure complete sensor is removed from frame.

Installation

Install in reverse order of removal, noting the following:

- The windshield surface inside the sensor mounting frame must be thoroughly cleaned prior to installing sensor.
- Ensure the sensor's optical receptor is kept clean and free from contaminants (dust particles, dirt etc.).
- In the event the sensor's optical receptor becomes contaminated (dust, dirt etc.), remove contaminants by gently applying the adhesive side of a suitable tape strip to surface, or use commercially available low pressure aerosol compressed air.
- When installing, the sensor's optical receptor must make uninterrupted and even contact with the windshield surface (no air bubbles).

Technical Bulletin



Warranty

Required Vehicle Update Technical Bulletin Time Requirements / Reimbursement

To ensure prompt and proper payment, be sure to enter, immediately upon completion of the repair work, the applicable reimbursement code listed below. Claims will only be paid for vehicles that show the (OT) code in the ElsaWeb Campaign Action Information screen on the day of repair.

OT Data Entry Procedure Use Claim Type RC

Repair Code (Damage Code Field)	Time Units	Work Scope
OT 12	40 T.U.	Replace Rain Sensor (Part No. 1K095559AB)
There is NO Reimbursement for Vehicle Wash or Loaner Vehicle		

The system automatically enters parts and labor applicable to the above listed code.

For vehicles that, according to your information, cannot be corrected or reached, and one of the codes below best describe the reason, please enter one of the applicable codes into the system:

- OT 20 Customer Refused Repairs
- OT 30 Total Loss
- OT 40 Vehicle Stolen
- OT 50 Vehicle Exported

Additional Required Vehicle Update Technical Bulletins

Some of the affected vehicles may be involved in additional Required Vehicle Update Technical Bulletins. Please check your ElsaWeb Campaign Action Information screen so that any additional required work can be done simultaneously.

Required Vehicle Update Technical Bulletin Verification

For verification, **always** check the ElsaWeb Campaign Action Information screen. The ElsaWeb Campaign Action Information system is the **only** binding inquiry and verification system; other systems are not valid and may result in non-payment of a claim.

Help for Claim Input

For questions regarding claim input, contact the Warranty Helpline toll-free at 1-866-306-8447. Please do not contact the Campaign Helpline regarding claim input.

Required Customer Notification

Inform your customer in writing by recording on the Repair Order any and all work that was conducted on the vehicle, including any and all updates completed under this Technical Bulletin.

Technical Bulletin



Required Parts and Tools

Description	Part No:	Quantity
Rain Sensor	1K0955559AB	1

No Special Tools required.

Additional Information

© 2006 Volkswagen of America, Inc. All rights reserved. Information contained in this document is based on the latest information available at the time of printing and is subject to the copyright and other intellectual property rights of Volkswagen of America, Inc., its affiliated companies and its licensors. All rights are reserved to make changes at any time without notice. No part of this document may be reproduced, stored in a retrieval system, or transmitted in any form or by any means, electronic, mechanical, photocopying, recording, or otherwise, nor may these materials be modified or reposted to other sites, without the prior expressed written permission of the publisher.