

MECHANICAL COMPONENT FASTENING CHECK

To check the torque value for the components listed in the tables below:

- For the set torque value (min-max): go over again with a torque wrench, setting the average rated value.
- For the set torque values plus angle (min-max + x°): loosen the fastener, tighten with a torque wrench, set the average rated value, and complete the operation by tightening to the angle x°.

MECHANICAL COMPONENT FASTENING CHECK

| | Ref. | Component | Fixing | dia | Torque (daNm) | Torque (Nm) |
|---|------|---|--------|-----|-----------------|---------------|
| 1 | 1 | Fastening of the shock absorber upper bracket to the body | Nut | M10 | 5.2 ÷ 5.8 + 45° | 52 - 58 + 45° |
| 2 | 2 | Fastening of the upper arms to the body | Nut | M10 | 5.2 ÷ 5.8 + 45° | 52 - 58 + 45° |
| 3 | 3 | Fastening of the lower arms to the body | Nut | M10 | 5.2 ÷ 5.8 + 45° | 52 - 58 + 45° |
| 4 | 4 | Fastening of the fuel tank to the body | Screw | M8 | 3.2 ÷ 3.9 | 32 - 39 |

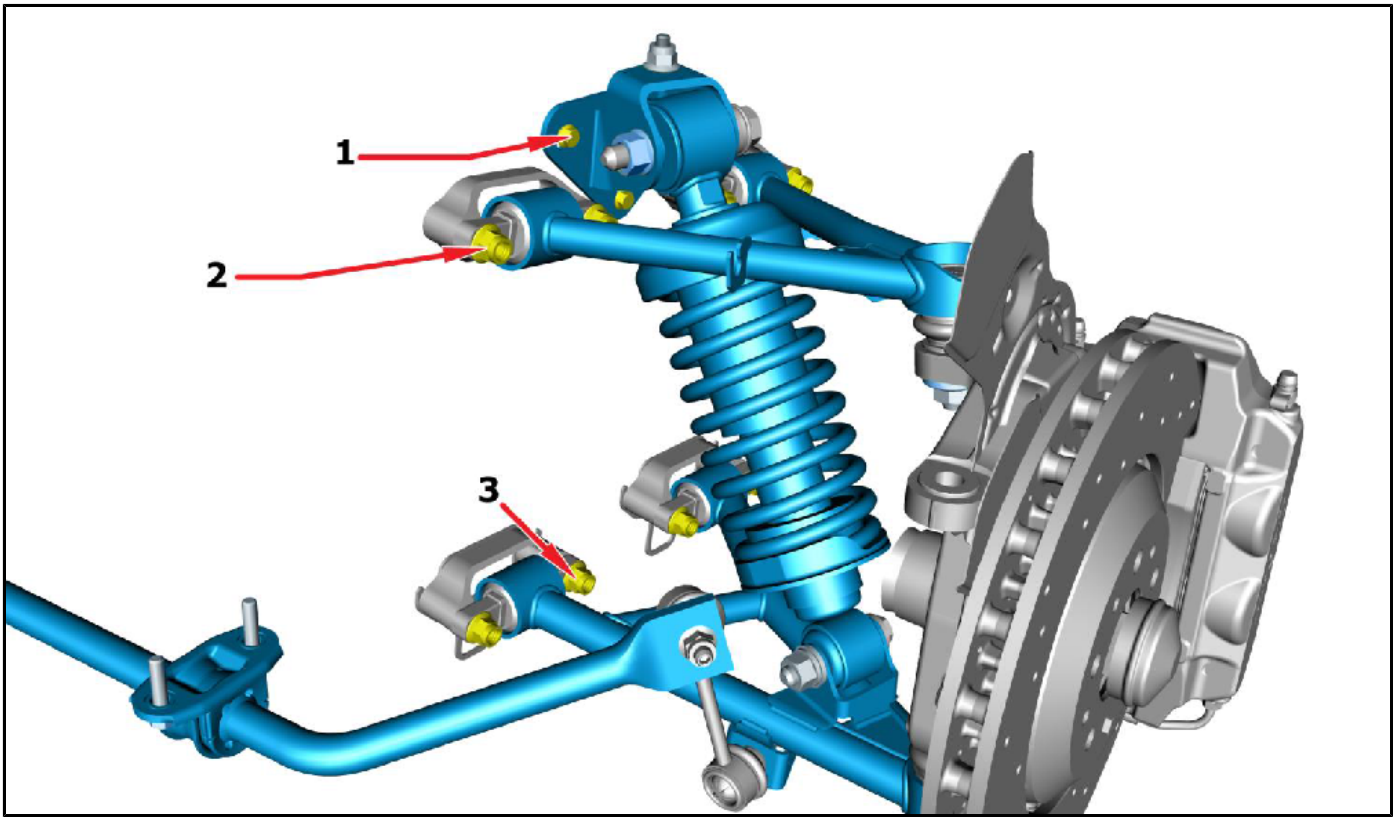


Fig. 1

| | Ref. | Component | Fixing | dia | Torque (daNm) | Torque (Nm) |
|---|------|---|--------|-----|-----------------|---------------|
| 1 | 1 | Fastening of the shock absorber upper bracket to the body | Nut | M10 | 5.2 ÷ 5.8 + 45° | 52 - 58 + 45° |
| 2 | 2 | Fastening of the upper arms to the body | Nut | M10 | 5.2 ÷ 5.8 + 45° | 52 - 58 + 45° |
| 3 | 3 | Fastening of the lower arms to the body | Nut | M10 | 5.2 ÷ 5.8 + 45° | 52 - 58 + 45° |

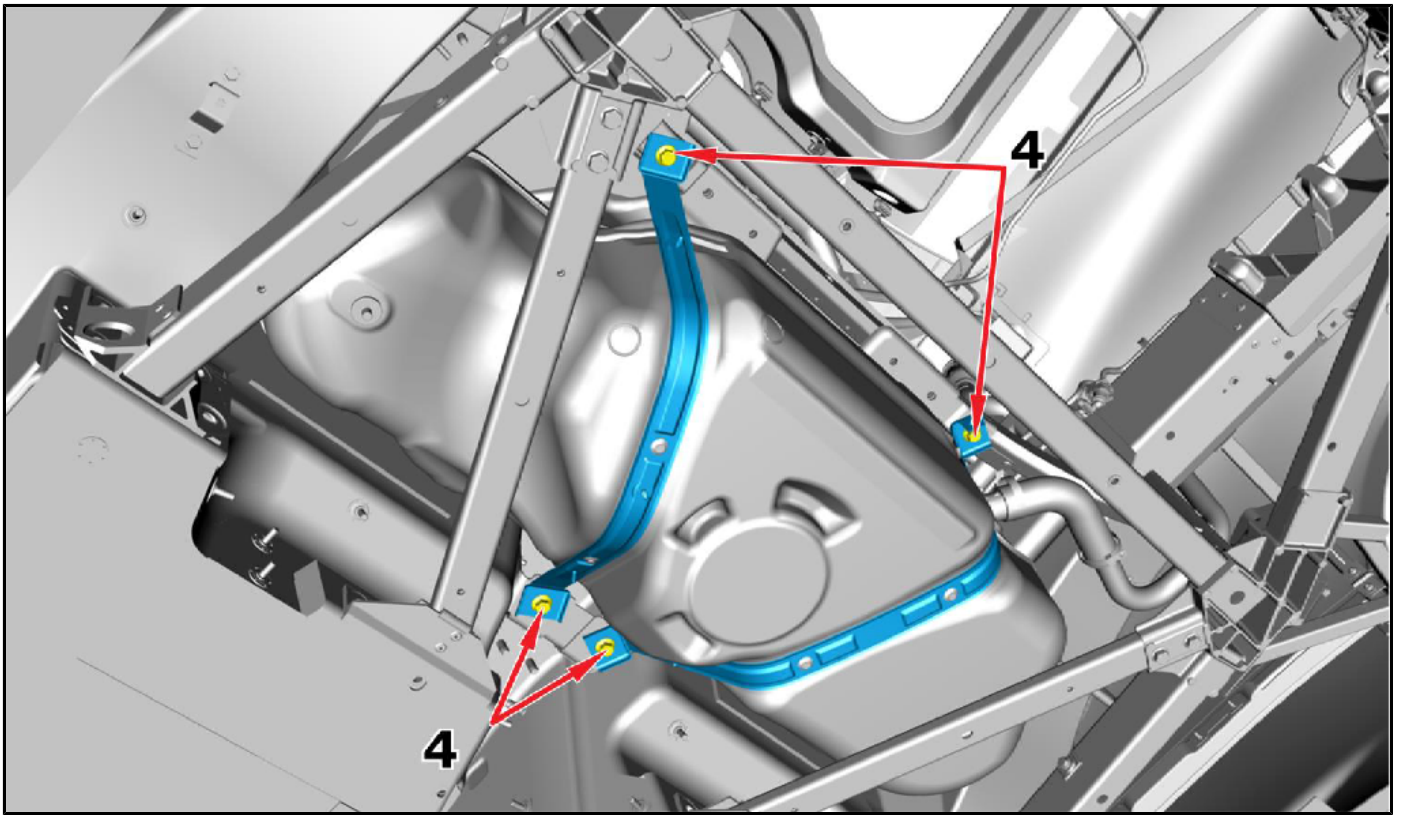


Fig. 2

| | Ref. | Component | Fixing | dia | Torque (daNm) | Torque (Nm) |
|---|------|--|--------|-----|---------------|-------------|
| 4 | 4 | Fastening of the fuel tank to the body | Screw | M8 | 3.2 ÷ 3.9 | 32 - 39 |