

John Cooper Works Tuning.

Installation instructions



John Cooper Works Gearshift knob

John Cooper Works Handbrake lever

John Cooper Works Gearshift gaiter/handbrake gaiter

MINI ONE (R50)

MINI COOPER (R50)

MINI COOPER S (R53)

MINI Convertible (R52)

Retrofit kit No.: Refer to EPC

Installation time according to TIS.

Important information

These installation instructions are mainly intended for use in the MINI dealership network as well as by authorised BMW Service Centres.

The target group of these installation instructions are technical personnel trained on MINI vehicles with corresponding technical know-how.

All work is to be carried out with the aid of currently valid MINI repair instructions, schematic circuit diagrams, maintenance manuals and working instructions in rational order with the specified tools (special tools) while paying particular attention to valid safety regulations.

Should you encounter any problems during the installation procedure or operation, after briefly performing troubleshooting (about half an hour) contact one of the following in order to avoid unnecessary work and costs:

- 1. Either your national subsidiary or your regional office or**
- 2. the Support through the Aftersales Assistance Portal (ASAP) using the optional "Technical Support" application.**

Please quote the vehicle identification number as well as the part number of the installed retrofit kit and a detailed description of the problem.

All illustrations show LHD vehicles. Carry out the same procedure analogously on RHD vehicles.

Pictographs:



identifies information that draws attention to danger/hazards.



identifies information that draws attention to specific requirements.

◀ identifies the end of an information or warning text.

For key to pictographs, see EBA-CD or Aftersales Portal.

These installation instructions are updated at irregular intervals. Therefore, please do not archive these instructions and only use the up-to-date version obtained through ASAP.

Subject to technical modifications.

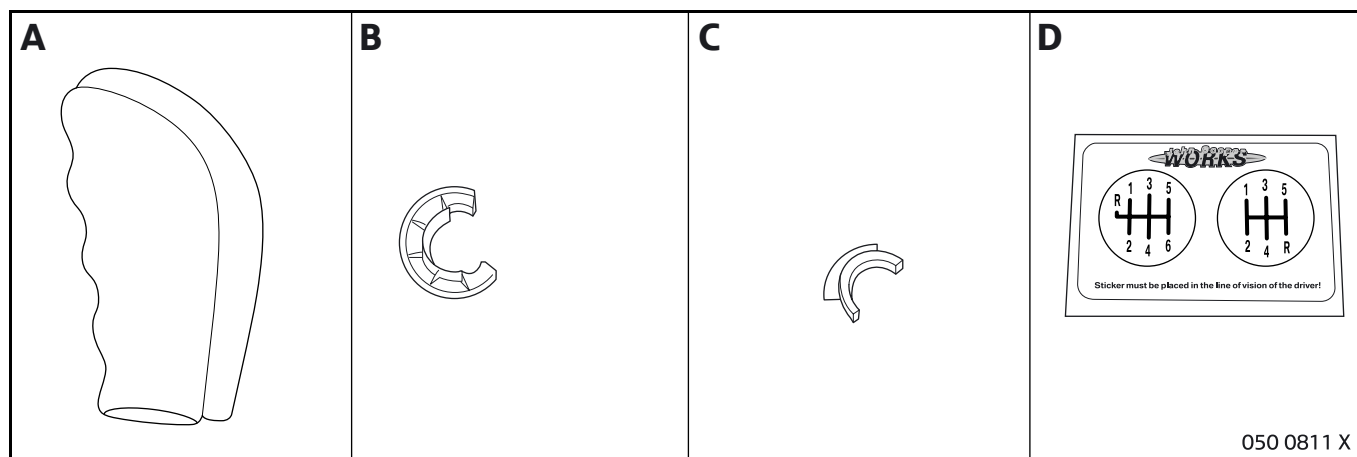
Required special tools

None

Contents

Section	Page
1. Gearshift knob	
1.1. Parts overview - Gearshift knob	3
1.2. Installing gearshift knob	4
2. Handbrake lever	
2.1. Parts overview - Handbrake lever	6
2.2 Installing handbrake lever	7
3. Gearshift gaiter/handbrake gaiter	8

1.1. Parts overview - Gearshift knob



MINI Gearshift knob retrofit kit

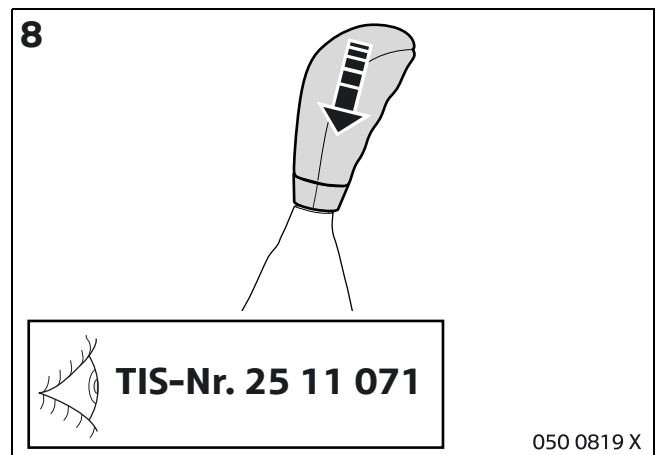
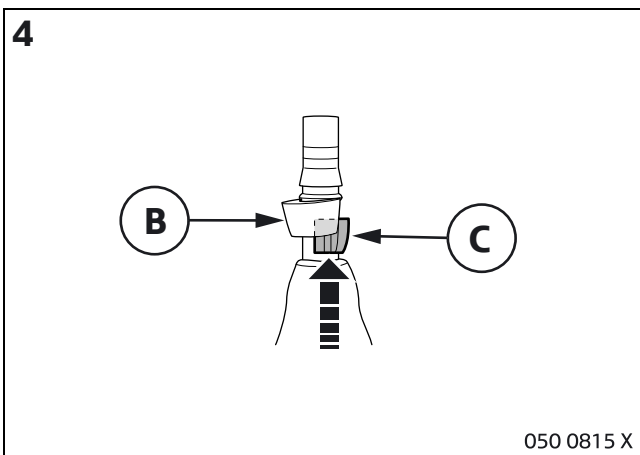
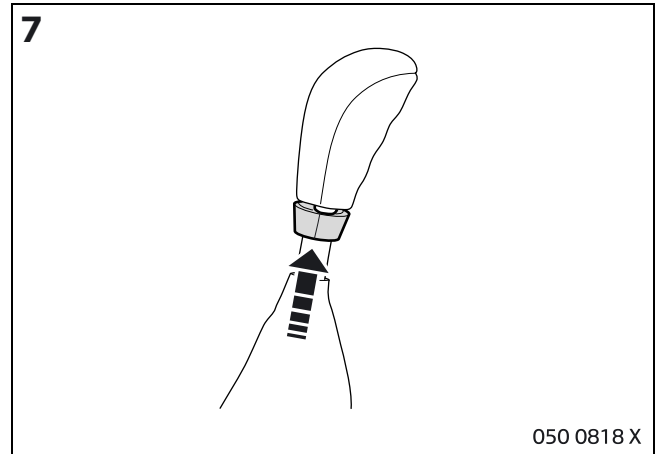
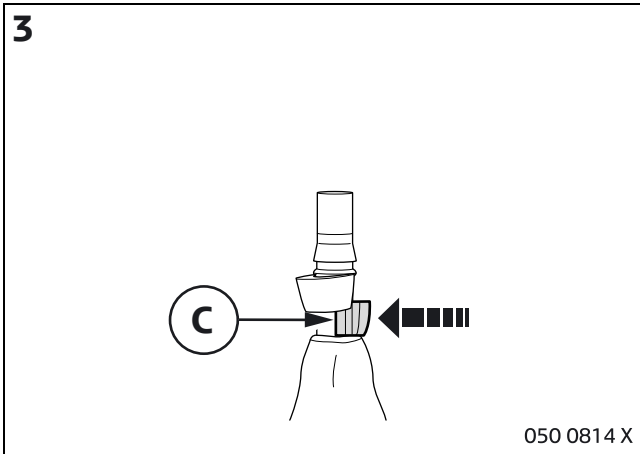
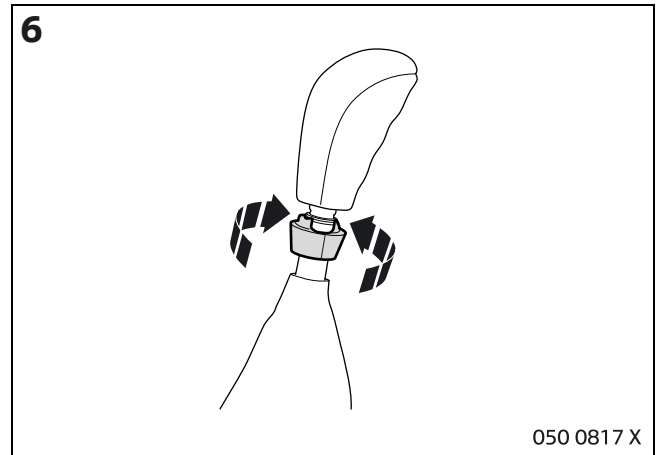
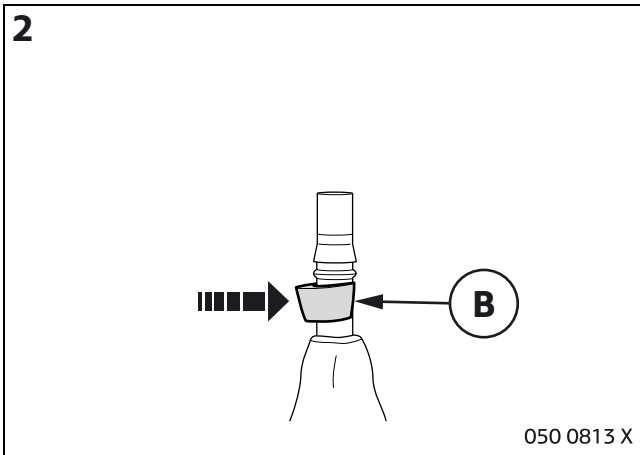
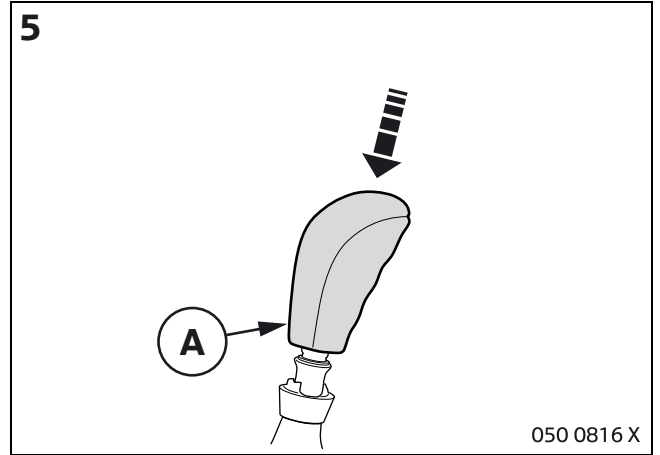
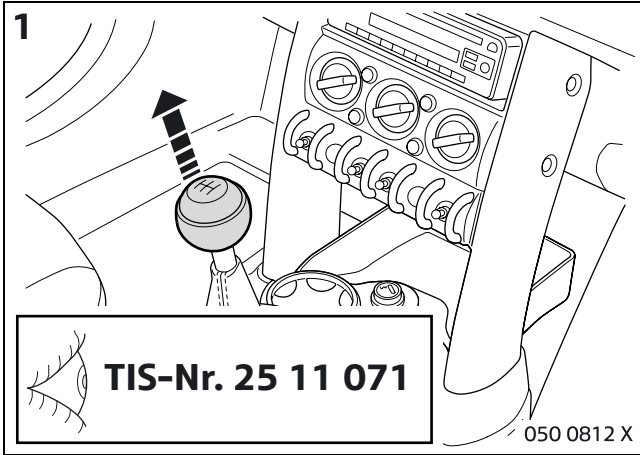
Part number:

		Leather/Carbon	Alcantara/Carbon
A	Gearshift knob	25 11 0 369 878	25 11 0 403 543
B	Clip	after 01/04	after 01/04
C	Clip lock	25 11 0 411 537	25 11 0 411 538
D	Sticker	before 01/04	before 01/04

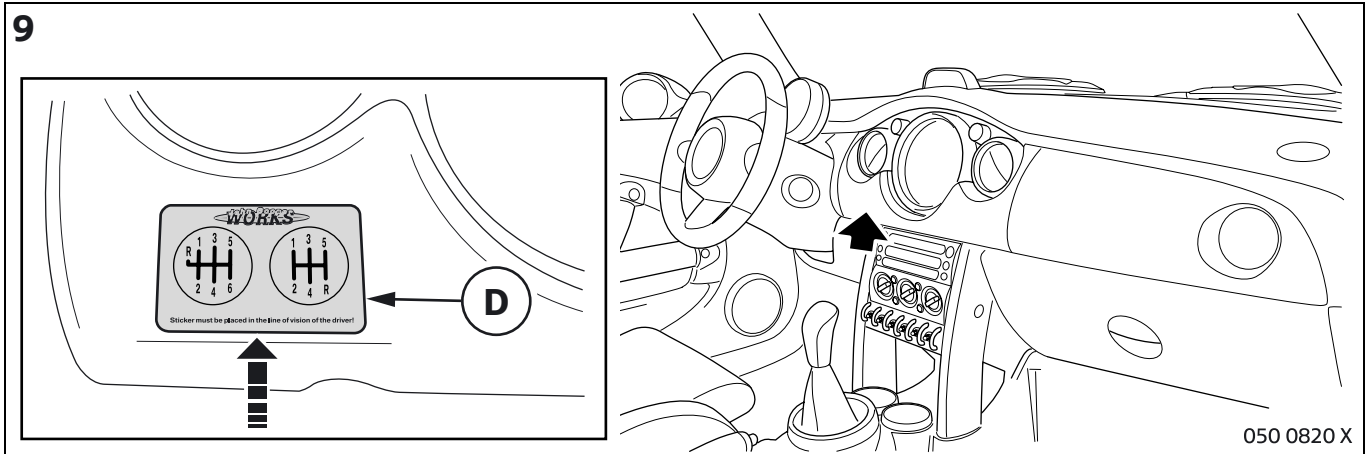
Installation time:

The installation time of approx. 0.25 hours can vary depending on the condition and equipment of the vehicle.

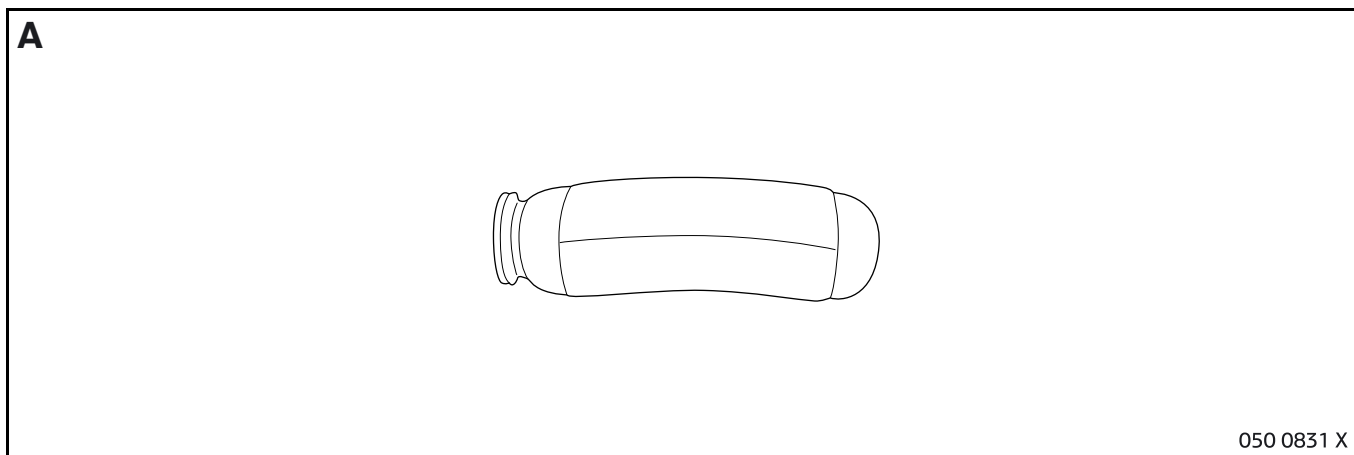
1.2. Installing gearshift knob



1.2. Installing gearshift knob



2.1. Parts overview - Handbrake lever



MINI Handbrake lever retrofit kit

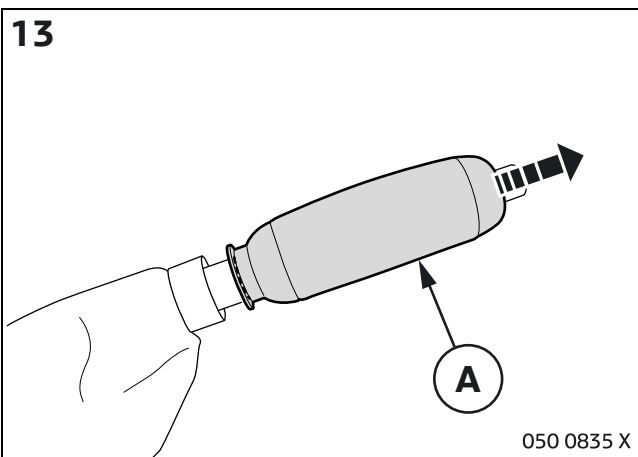
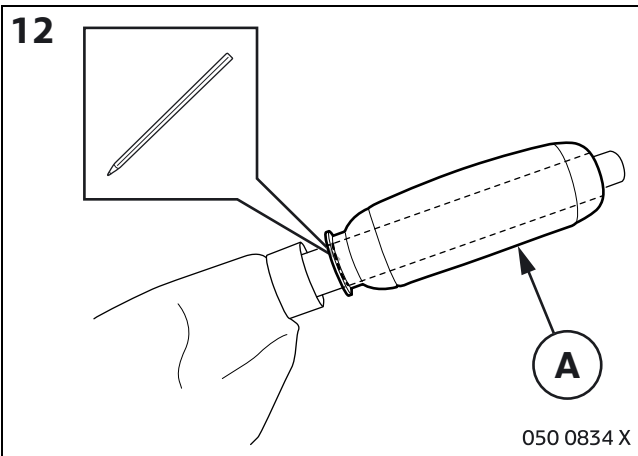
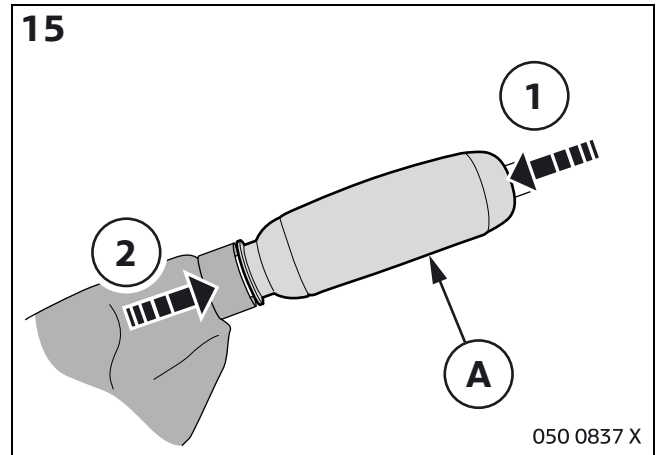
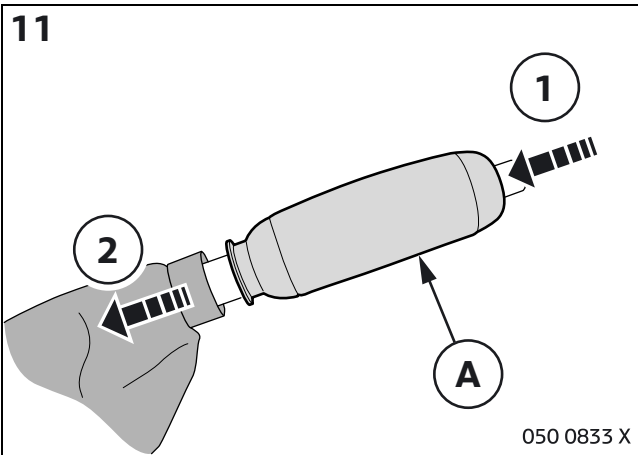
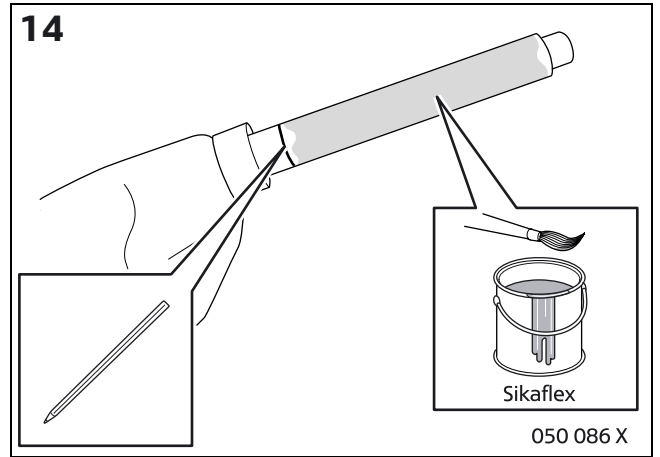
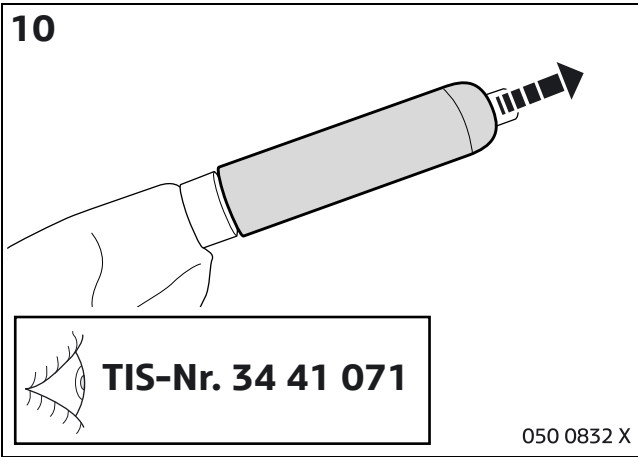
Part number:

		Leather/Carbon	Alcantara/Carbon
A	Handbrake lever LHD	34 40 0 396 879	34 40 0 403 544
	Handbrake lever RHD	34 40 0 414 691	34 40 0 414 692

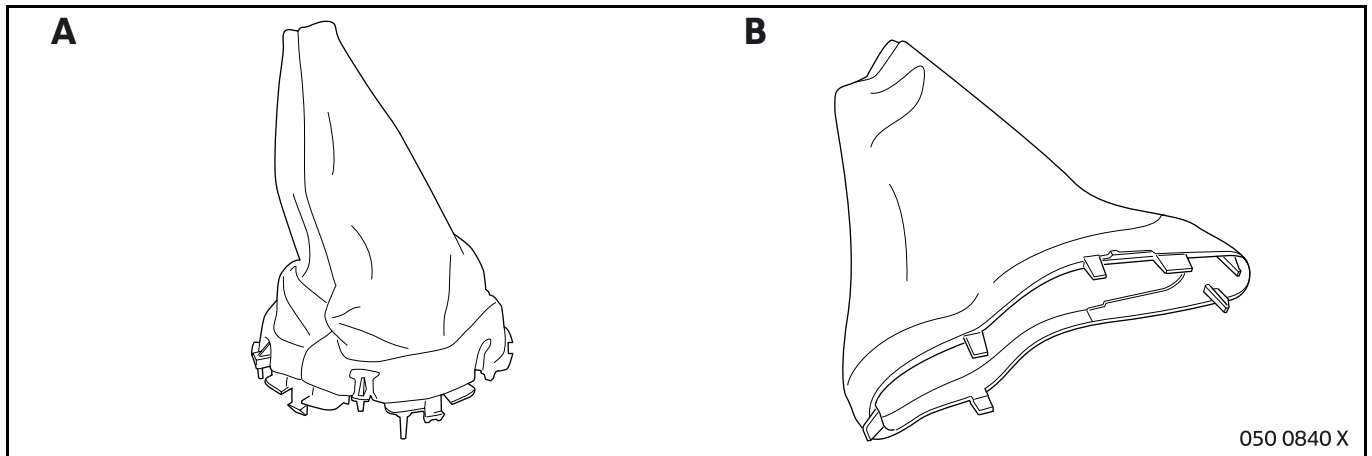
Installation time:

The installation time of approx. 0.25 hours can vary depending on the condition and equipment of the vehicle.

2.2. Installing handbrake lever



3. Gearshift gaiter/handbrake gaiter



MINI Gearshift gaiter/handbrake gaiter retrofit kit

Part number:

		Alcantara
A	Gearshift gaiter	25 11 0 409 241
B	Handbrake gaiter	34 40 0 409 242

Installation time according to TIS.

Preliminary work according to TIS.

	TIS No.
Replacing gaiter for gearshift lever	25 11 081