

Introducing the all-new 3 Series Coupe for 2007 –
giving more power to the Sports Coupe concept.

The all-new 2007
BMW 3 Series Coupe

328i
328xi
335i



The Ultimate
Driving Machine®



3 Series Coupe Product Ordering Guide

Confidential information for use by authorized BMW centers. Please note: Images shown are low resolution. Due to color printer capabilities, colors shown may not print out accurately. Vehicle images in this Product Ordering Guide booklet may not be U.S. spec.

Balanced performance with equal parts power and polish.

Introducing your next showroom star: the BMW 3 Series Coupe. The look is fierce and finely honed, from the signature Corona headlight rings in the tautly styled face, to the chiseled character lines and lowered silhouette. A lusty exhaust growl proclaims its newsworthy performance: the 335i boasts

BMW's first production twin-turbo powerplant; the 328xi marks the debut of xDrive all-wheel drive in a BMW Coupe. With its striking looks, athletic performance, rewarding luxury and reassuring safety features, the 2007 3 Series Coupe is destined to be the most powerfully compelling Sports Coupe of the decade.



Rocketing the Coupe with revolutionary power.

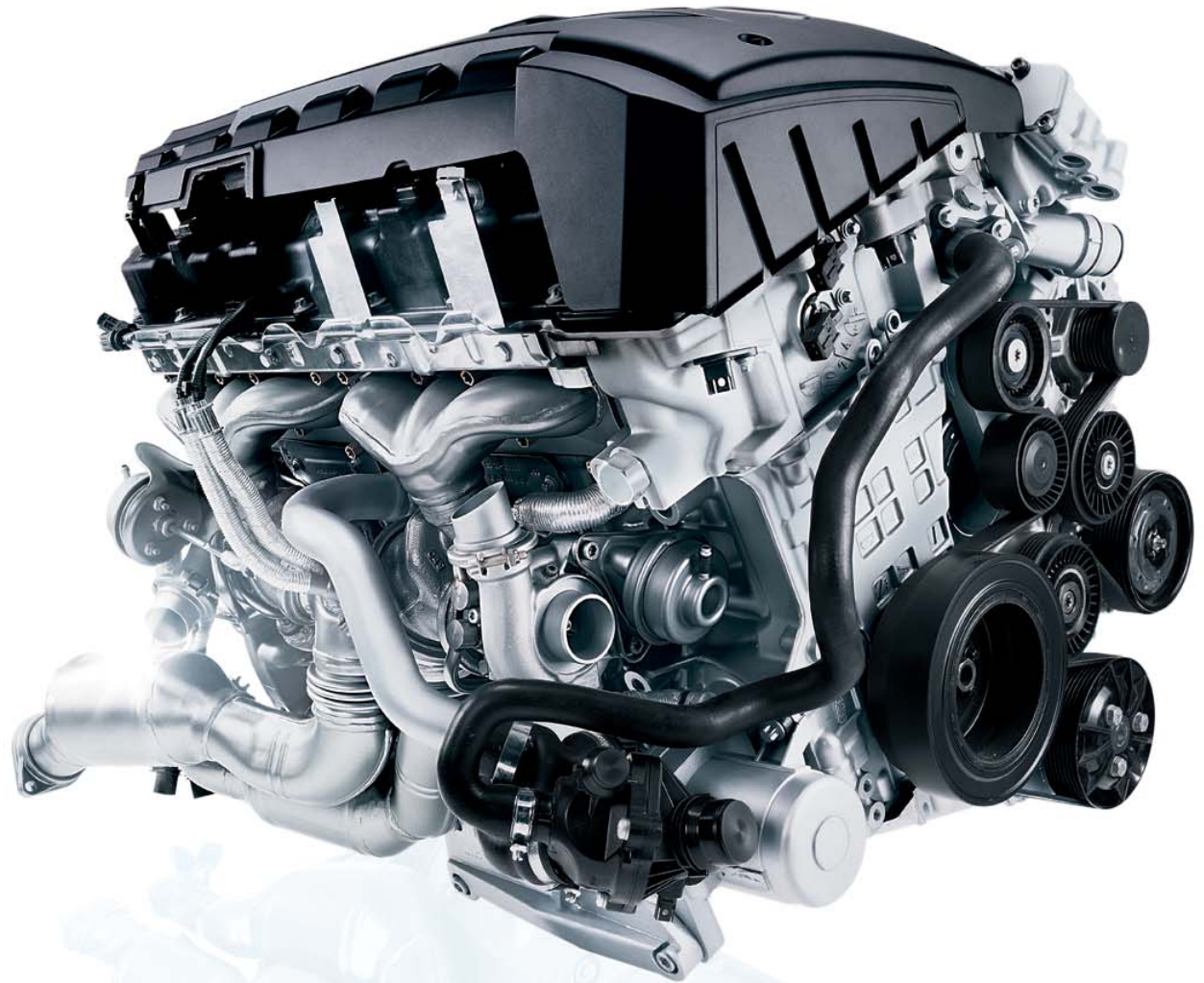
The 335i's all-new 300-horsepower twin-turbo inline six propels the 335i from 0-60 in 5.3 seconds¹ By using two turbochargers, each supplying three cylinders with compressed air, turbo lag is eliminated. A high-precision fuel injection system makes it even more efficient than a naturally aspirated 300-hp engine. BMW's lightweight aluminum engine block, extra-light camshafts, and Double-VANOS enhance its smooth power delivery, fuel efficiency and lowered emissions.

The 328i reaches 60 mph in 6.2 seconds,² thanks to its 230-horsepower inline six with Valvetronic technology. A lightweight composite magnesium/aluminum engine block adds to the 328i's spirited acceleration and nimble handling. And with 200 lb-ft of torque, the power pours on early, and continues throughout the power band.

Both Coupes come standard with a smooth-shifting 6-speed manual transmission; a STEPTRONIC automatic transmission is optional. In the 335i, steering-wheel-mounted shift paddles are included when STEPTRONIC automatic transmission and Sport Package options are ordered together.

¹ Manual transmission; 5.5 seconds, STEPTRONIC automatic. BMW AG test results. BMW urges you to obey all posted speed laws and always wear safety belts.

² Manual transmission; 6.8 seconds, STEPTRONIC automatic.





Now enjoy even more performance features that grip the road – like xDrive all-wheel drive.

Numerous performance upgrades, both standard and optional, place the 3 Series Coupe way above the competition. Most noteworthy is xDrive all-wheel drive in the 328xi – the first luxury coupe to offer this feature. Standard performance enhancements include a double-pivot front/five-link rear suspension, for a firm

yet supple ride; and brake-enhancing features, such as Brake Drying and Start-off Assistant. Desirable new options include Active Steering, which makes steering more direct at low-to-medium speeds, and enhances stability at high speeds; and the Sport Package, which, among other things, adds 18" wheels on both 328i and 335i.

The 3 Series Coupe cockpit: polished and performance-oriented.

Sleeker and more spacious than its predecessor, the 3 Series Coupe cabin offers more head, shoulder and legroom, as well as greater storage space. It's also more luxurious: with the multi-function sport steering wheel, gauges and dials – all highlighted in Pearl Gloss metallic – taking design cues from the BMW 6 Series. The cabin is accented in a choice of four handsome trims: standard Dark Burl Walnut Wood, and no-cost options Light Poplar Natural Wood, Gray Poplar Wood, and Brushed Aluminum. In addition to the soft on/off interior lighting, a line of warm

illumination subtly runs along both doors and above the rear armrests for a premium feel. The acclaimed Logic7 audio system – standard in the 335i, optional in the 328i/328xi – can be enhanced with optional SIRIUS Satellite Radio. The optional navigation system adds the convenience of iDrive and Voice Control. And a unique, new convenience is offered as standard: when the door is closed shut, an automatic arm pushes the safety belt forward, making it easier for front-seat occupants to buckle up.



Armrest shown is European model.

A comfortable retreat for two rear-seat passengers.



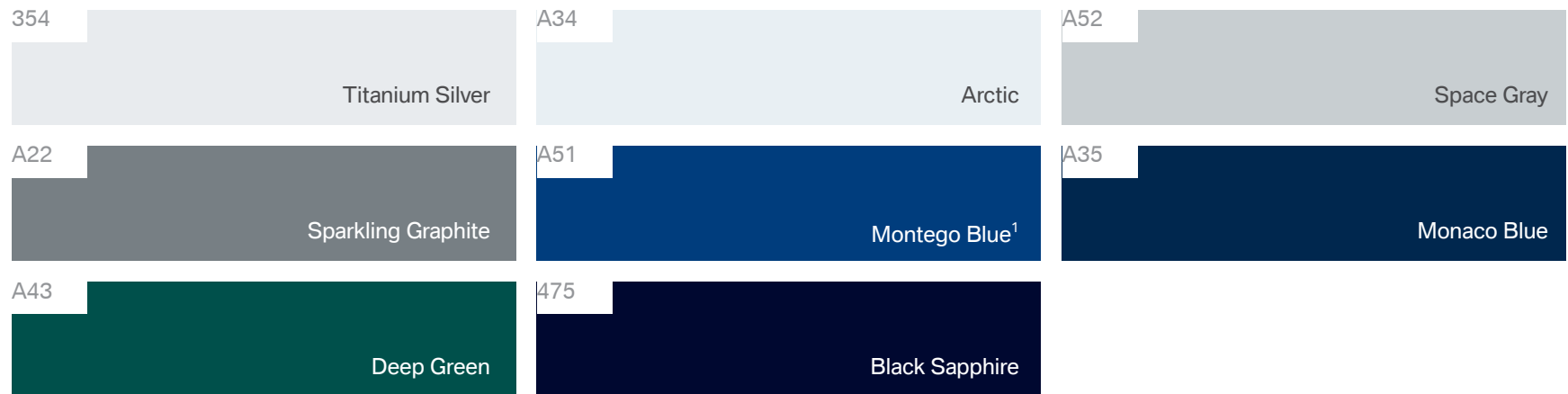
The rear cabin of the all-new 3 Series Coupe offers a comfortable environment for two, with supple, supportive seats and increased head, shoulder and legroom. A newly designed front-seat release and power seat-sliding feature let passengers enter and exit the cabin with ease. The center console offers climate controls and convenient storage; two large cupholders are concealed in the padded armrest. Both rear seats fold forward to expand the fully lined trunk's storage capacity.

3 Series Coupe: Exterior Colors

Non-metallic



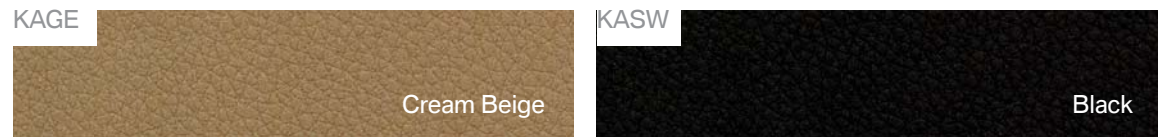
Metallic



¹ Start of production 9/2006.

3 Series Coupe: Upholstery Colors and Interior Trims

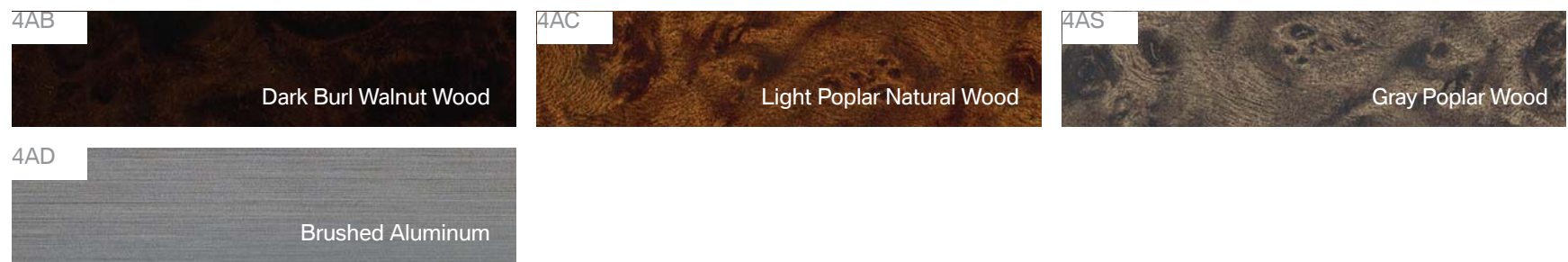
Leatherette (Standard)



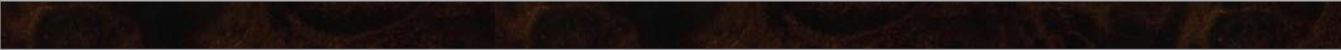


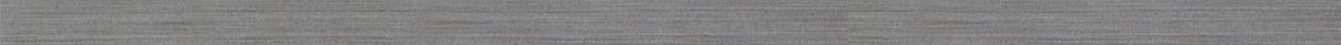
Dakota Leather (Optional)



Interior Trims



3 Series Coupe: Color Combinations

Materials		Leatherette ¹				Dakota Leather ²		
		Cream Beige	Black	Cream Beige	Gray	Coral Red/Black	Saddle Brown/Black	Black
Exterior								
300	Alpine White Non-metallic ¹	●	●	●	●	●	●	●
A61	Crimson Red Non-metallic ^{1,3}	●	●	●	●	●	●	●
668	Jet Black Non-metallic ¹	●	●	●	●	●	●	●
354	Titanium Silver Metallic ²	●	●	●	●	●	●	●
A52	Space Gray Metallic ²	●	●	●	●	●	●	●
A34	Arctic Metallic ²	●	●	●	●		●	●
A22	Sparkling Graphite Metallic ²	●	●	●	●	●	●	●
A51	Montego Blue Metallic ^{2,3}	●	●	●	●		●	●
A35	Monaco Blue Metallic ²	●	●	●	●		●	●
A43	Deep Green Metallic ²	●	●	●	●		●	●
475	Black Sapphire Metallic ²	●	●	●	●	●	●	●
Interior trims								
4AB	Dark Burl Walnut Wood ¹							
4AC	Light Poplar Natural Wood ⁴							
4AS	Gray Poplar Wood ⁴							
4AD	Brushed Aluminum ⁴							

Please note: Due to color printer capabilities, colors shown may not print out accurately.

¹ Standard.
² Optional.
³ Start of production 9/2006.
⁴ No-cost option.

Standard/Optional Equipment

Performance and efficiency	328i	328xi	335i
3.0-liter dual overhead cam (DOHC), 24-valve inline 230-horsepower 6-cylinder engine with composite magnesium/aluminum engine block, Valvetronic, and Double-VANOS steplessly variable valve timing	●	●	
3.0-liter dual overhead cam (DOHC), 24-valve inline turbocharged 300-horsepower 6-cylinder engine with twin-turbo technology and Double-VANOS steplessly variable valve timing			●
Electronic throttle control	●	●	●
6-speed manual transmission	●	●	●
6-speed STEPTRONIC automatic transmission with Adaptive Transmission Control	○	○	○
Steering wheel-mounted paddle shifters ¹			□
Handling, ride and braking			
Dynamic Stability Control (DSC), including Brake Fade Compensation, Start-off Assistant, Brake Drying, and Brake Stand-by features, with Dynamic Traction Control (DTC)	●	●	●
Extensive aluminum componentry, including front suspension components (forged-aluminum lower arms, steering knuckle); subframe; steering rack; and brake components	●		●
Double-pivot type front and five-link rear suspension	●	●	●
xDrive all-wheel-drive system		●	
Front and rear anti-roll (stabilizer) bars	●	●	●
Twin-tube gas-pressure shock absorbers	●	●	●
Sport suspension calibration	●		●
4-wheel ventilated anti-lock disc brakes with Dynamic Brake Control (DBC)	●	●	●
Engine-speed-sensitive, variable-assist power steering	●	●	●
Active Steering with Servotronic power assist	○		○
Exterior			
Light-alloy wheels; 17 x 8.0, Star Spoke (Style 157), 225/45R-17 run-flat ² all-season tires	●	●	
Light-alloy wheels; 17 x 8.0, Star Spoke (Style 185), 225/45R-17 run-flat ² all-season tires		□	●
Light-alloy wheels; 18 x 8.0 front, 18 x 8.5 rear, Cross Spoke (Style 197), 225/40R-18 front, 255/35R-18 rear run-flat ² performance tires ³	□	○ ⁴	
Light-alloy wheels; 18 x 8.0 front, 18 x 8.5 rear, Star Spoke (Style 189), 225/40R-18 front, 255/35R-18 rear run-flat ² performance tires ³			□
Flat Tire Warning Indicator	●	●	●
Xenon Adaptive Headlights with auto-leveling	●	●	●
Halogen free-form front foglights	●	●	●
Retractable, high-intensity headlight washers	★	●	★
Heated dual power mirrors and heated windshield washer jets	●	●	●
Metallic paint	○	○	○

Interior seating	328i	328xi	335i
8-way adjustable front seats (includes 2-way headrests)	●	●	
8-way power front seats with 2-way manual headrests and driver memory with 2 pre-sets for seat and exterior mirror positions	○/◇	○/◇	●
8-way manual front sport seats with adjustable side bolsters, 2-way manual headrests and thigh support	□	□	
8-way power front sport seats with adjustable side bolsters, 2-way manual headrests and thigh support; driver memory for seat and exterior mirror positions	□ ⁵	□ ⁵	□
4-way adjustable power lumbar support for front seats	◇	◇	◇
Leatherette upholstery	●	●	●
Dakota Leather upholstery	○/◇	○/◇	○/◇
3-stage heated front seats	○/★	○/★	○/★
3-spoke leather-wrapped multi-function sport steering wheel with audio and hands-free phone ⁶ controls	●	●	●
Front seatback storage nets	●	●	●
Split fold-down rear seats	●	●	●
Ski bag	★	★	★

¹ Requires optional STEPTRONIC automatic transmission.

² Run-flat tires do not come equipped with spare tire.

³ Performance tires are not recommended for driving in snow and ice. Due to low-profile tires, please note: wheels, tires and suspension parts are more susceptible to road hazard and consequential damages.

⁴ Sport Package required.

⁵ Optional power seats or Premium Package required.

⁶ If equipped with optional Premium Package or BMW Assist™ Safety Services with Bluetooth® wireless technology.

- Standard.
- Optional.
- Included in Sport Package.
- ◇ Included in Premium Package.
- ★ Included in Cold Weather Package.



Style 157



Style 185



Style 197



Style 189

CN1002980ID

Standard/Optional Equipment

Comfort and convenience	328i	328xi	335i
Engine Start/Stop button	●	●	●
Comfort Access keyless entry with multi-function remote control	○	○	○
Automatic climate control – includes micro-filter, automatic air recirculation, left/right temperature control, temperature- and volume-controlled rear outlets, windshield misting sensor, maximum air conditioning, heat at rest, and recall of individual user settings	●	●	●
2-way power glass moonroof with “one-touch” operation, sliding interior sunshade, and wind deflector	●	●	●
Retractable door storage pockets with covers	●	●	●
Front-seat center armrest with climate-controlled storage compartment	●	●	●
Front passenger cupholders (dashboard-integrated)	●	●	●
Rear seat with fold-down center armrest with dual cupholders, and storage bin with retractable cover	●	●	●
Tilt/telescopic steering wheel column	●	●	●
Park Distance Control (PDC) (rear only)	○	○	○
Interior and power-adjustable folding exterior mirrors with automatic-dimming function; digital interior mirror compass	◇	◇	◇
Power front windows with “one-touch” up/down operation	●	●	●
Power rear sunshade	○	○	○
Dynamic Cruise Control	●	●	●
Active Cruise Control	○	○	○
BMW Ambiance interior lighting along doors and side of rear cabin	●	●	●
Courtesy lights – include fade in/fade out, actuation from remote, automatic switch-on when engine is turned off, separately controlled left/right front and rear reading lights, front footwell lighting, and illuminated vanity mirrors	●	●	●
Ground lighting located in bottom of exterior door handles	●	●	●
Automatic safety belt assistant	●	●	●
Locking glovebox	●	●	●
Electric interior trunk release	●	●	●
Rain-sensing windshield wipers and Automatic headlight control	●	●	●
Integrated 3-button Universal garage-door opener	◇	◇	◇
Pre-wiring for BMW center installation of mobile phone, alarm system	●	●	●

Audio system	328i	328xi	335i
Anti-theft AM/FM stereo CD/MP3 player audio system with 10 speakers (including 2 subwoofers), Radio Data System (RDS), Auto-Store and 3-channel FM diversity antenna; displays MP3 song title and artist	●	●	
Logic7 Surround Sound anti-theft AM/FM stereo CD/MP3 player audio system with 13 upgraded speakers (including 2 subwoofers), Digital Sound Processing (DSP), Radio Data System (RDS), Auto-Store and 3-channel FM diversity antenna; displays MP3 song title and artist	○	○	●
Auxiliary audio input for portable music players located in the center armrest	●	●	●
Pre-wiring for BMW center installation of 6-disc CD/MP3 changer, satellite radio	●	●	●
SIRIUS Satellite Radio	○/△	○/△	○/△

- Standard.
- Optional.
- ◇ Included in Premium Package.
- △ BMW center-installed accessory.



Standard/Optional Equipment

Instrumentation and controls	328i	328xi	335i
Service Interval Indicator with miles-to-service readout	●	●	●
Check Control vehicle monitor system with pictogram display, oil status display, and Condition Based Service indicator	●	●	●
On-board computer with Check Control – provides feedback on the vehicle's operating status: oil level indicator and distance to next service appointment/oil change, as well as other detailed information, such as spark plug and micro-filter status. It also provides travel information – travel range on remaining fuel, external temperature, and more	●	●	●
On-board navigation system with 16:9 screen and Voice Command system; iDrive system with high-function on-board computer and controller	○	○	○
Safety and security			
Anti-lock braking system (ABS)	●	●	●
Adaptive Brake Lights	●	●	●
MRS5 centralized safety control system	●	●	●
Front and rear Head Protection System (HPS)	●	●	●
Automatic safety belt pretensioners at front and rear outboard seating positions	●	●	●
Driver's and passenger's front airbag supplemental restraint system (SRS) with "smart" dual-threshold, dual-stage deployment and sensor to help prevent unnecessary passenger's airbag deployment	●	●	●
Seat-mounted front side-impact airbags	●	●	●
Front-passenger-seat occupation recognition with Passenger's Airbag Off indicator	●	●	●
Interlocking door anchoring system to help protect against door intrusion in side impacts	●	●	●
Central locking system with center console switch (leaves gas filler door unlocked), double-lock feature and 2-step unlocking	●	●	●
Coded Driveaway Protection	●	●	●
Automatic-locking retractors (ALR) on all passenger safety belts for installation of child-restraint seat	●	●	●
LATCH attachments on child-restraint safety installation	●	●	●
Crash sensor that automatically turns on hazard lights and interior lights, and unlocks doors	●	●	●
Programmable daytime running lights	●	●	●
Fiber-optics-based MOST-BUS architecture for safety systems	●	●	●
BMW Assist™ with Bluetooth® wireless technology for hands-free calling with Bluetooth technology enabled mobile phones ⁸	○/◇	○/◇	○/◇

¹ Requires optional STEPTRONIC automatic transmission.

² Run-flat tires do not come equipped with spare tire.

³ Performance tires are not recommended for driving in snow and ice. Due to low-profile tires, please note: wheels, tires and suspension parts are more susceptible to road hazard and consequential damages.

⁴ Sport Package required.

⁵ Optional power seats or Premium Package required.

⁶ If equipped with optional Premium Package or BMW Assist™ Safety Services with Bluetooth® wireless technology.

⁷ Includes four-year BMW Assist™ Safety Services subscription; please see your authorized BMW center for rules and regulations.

⁸ Please contact your authorized BMW center for a list of BMW-approved Bluetooth® technology enabled mobile phones.

- Standard.
- Optional.
- Included in Sport Package.
- ◇ Included in Premium Package.
- ★ Included in Cold Weather Package.

Premium Package	328i	328xi	335i
8-way power front seats with 2-way manual headrests and driver memory with 2 pre-sets for seat and exterior mirror positions	○/◇	○/◇	●
4-way adjustable power lumbar support for front seats	◇	◇	◇
Dakota Leather upholstery	○/◇	○/◇	○/◇
Interior and power-adjustable folding exterior mirrors with automatic-dimming function; digital interior mirror compass	◇	◇	◇
Integrated 3-button Universal garage-door opener	◇	◇	◇
BMW Assist™ with Bluetooth® wireless technology for hands-free calling with Bluetooth technology enabled mobile phones ⁸	○/◇	○/◇	○/◇
Sport Package			
Steering wheel-mounted paddle shifters ¹			□
Light-alloy wheels; 17 x 8.0, Star Spoke (Style 185), 225/45R-17 run-flat ² all-season tires		□	●
Light-alloy wheels; 18 x 8.0 front, 18 x 8.5 rear, Cross Spoke (Style 197), 225/40R-18 front, 255/35R-18 rear run-flat ² performance tires ³	□	○ ⁴	
Light-alloy wheels; 18 x 8.0 front, 18 x 8.5 rear, Star Spoke (Style 189), 225/40R-18 front, 255/35R-18 rear run-flat ² performance tires ³			□
8-way manual front sport seats with adjustable side bolsters, 2-way manual headrests and thigh support	□	□	
8-way power front sport seats with adjustable side bolsters, 2-way manual headrests and thigh support; driver memory for seat and exterior mirror positions.	□ ⁵	□ ⁵	□
Cold Weather Package			
Retractable, high-intensity headlight washers	★	●	★
3-stage heated front seats	○/★	○/★	○/★
Ski bag	★	★	★



Stand-alone Optional Equipment

Option Code		328i	328xi	335i
LC--	Dakota Leather upholstery	○	○	○
MET	Metallic paint	○	○	○
2DA	Light-alloy wheels; Cross Spoke (Style 197)		○ ¹	
4AC	Light Poplar Natural Wood ²	○	○	○
4AD	Brushed Aluminum ²	○	○	○
4AS	Gray Poplar Wood ²	○	○	○
205	6-speed STEPTRONIC automatic transmission	○	○	○
217	Active Steering with Servotronic power assist	○	○	○
322	Comfort Access keyless entry	○	○	○
415	Power rear sunshade	○	○	○
459	8-way power front seats	○	○	●
494	3-stage heated front seats	○	○	○
507	Park Distance Control (PDC) (rear only)	○	○	○
541	Active Cruise Control	○	○	○
609	On-board navigation system	○	○	○
639	BMW Assist™ with Bluetooth® wireless technology	○	○	○
655	SIRIUS Satellite Radio	○	○	○
677	Logic7 Surround Sound audio system	○	○	●

¹Sport Package required.

²No-cost option.



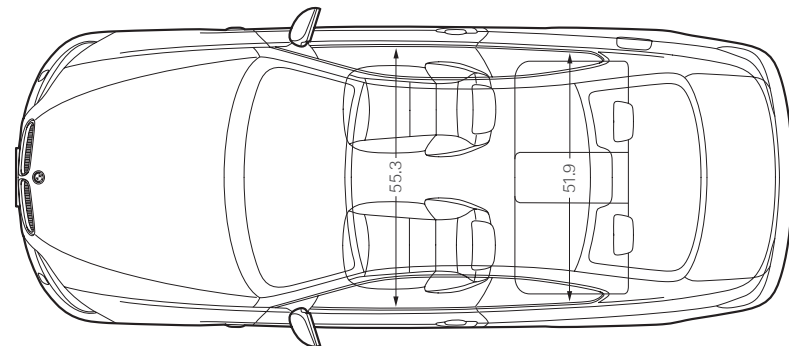
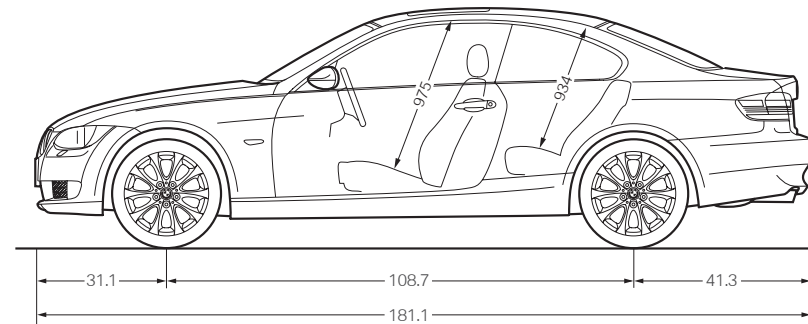
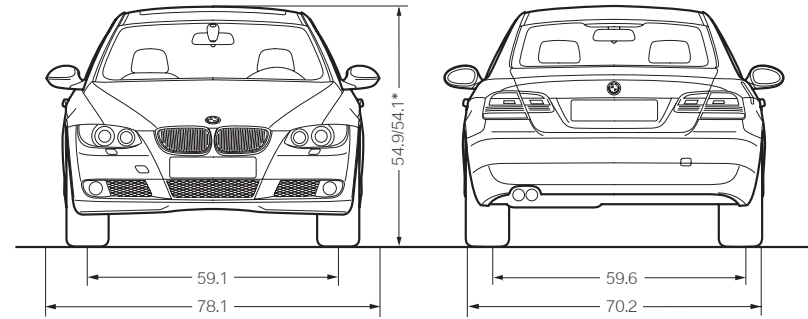
Specifications/Technical Features

Technical data		328i	328xi	335i
Unladen weight	lbs	3351 (3417)	3582 (3627)	3571 (3582)
Engine				
Liter/type/valves per cylinder		3.0/inline 6/4	3.0/inline 6/4	Turbocharged 3.0/inline 6/4
Power output/rpm	hp	230/6500	230/6500	300/5800
Max torque/rpm	lb-ft	200/2750	200/2750	300/1400-5000
Performance				
Top speed ¹	mph	130/155	130/155	130/155
Acceleration 0-60 mph	sec	6.2 (6.8)	6.8 (7.0)	5.3 (5.5)

All technical information is preliminary.

Figures in () apply to vehicles with automatic transmission.

¹ Top speed limited electronically; 150 mph top speed if equipped with 328i or 335i Sport Package.



*328i and 335i vehicle height.

All dimensions in inches.

More about BMW

bmwusa.com
1-800-334-4BMW



The Ultimate
Driving Machine®



U.S. Distributor: BMW of North America, LLC, Woodcliff Lake, NJ 07677. All illustrations and specifications contained in this brochure are based on the latest product information available at the time of printing. BMW reserves the right to make changes at any time, without notice, in colors, materials, equipment, specifications and models. BMW may, subject to legal requirements, determine the Model Year designation of its vehicles. The Model Year designation on any particular model may be longer or shorter than 12 months. Some vehicles pictured may contain non-U.S. equipment. Some models may be shown with optional equipment. Due to low-profile tires, please note: wheels, tires and suspension parts are more susceptible to road hazard and consequential damages. While BMW NA makes all diligent efforts to provide accurate information in this brochure, there is no guarantee or warranty of accuracy. Furthermore, we do not assume any liability for the accuracy or completeness of information presented. This brochure shall not be used or relied upon as a substitute for information that is available from your BMW center. Further information can be obtained from your authorized BMW center or bmwusa.com. ©2006 BMW of North America, LLC. Not to be reproduced wholly or in part without written permission from BMW of North America. The BMW name and logo are registered trademarks. The Bluetooth word mark and logos are owned by the Bluetooth SIG, Inc. and use of such marks by BMW is under license. Other trademarks and trade names are those of their respective owners.

CN1002980ID