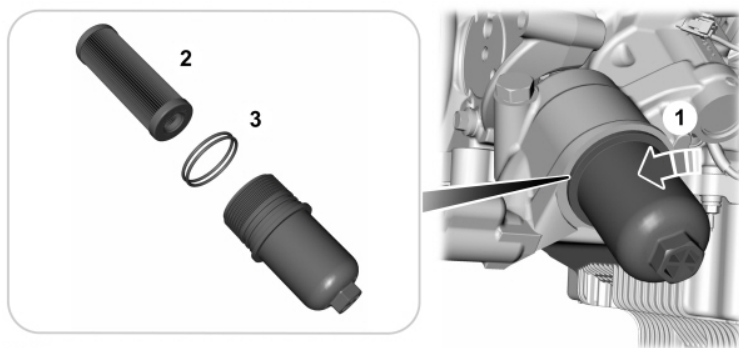




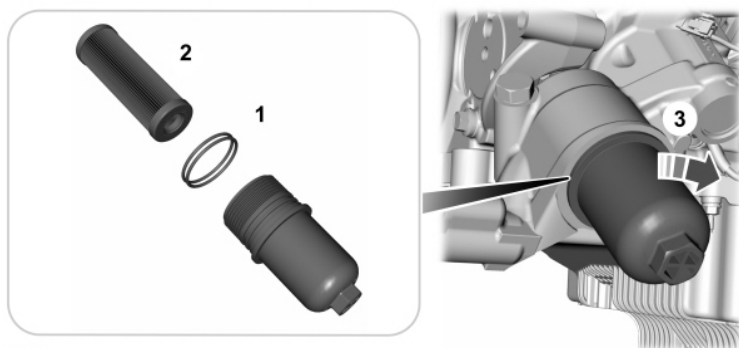
CHANGING THE ENGINE OIL AND OIL FILTER



E252956

1. Loosen the oil filter housing and allow the oil to drain.
2. Remove the oil filter housing and discard the oil filter element.
3. Remove and discard the O-ring seals.
4. Wipe the O-ring seal surfaces and threads with a clean rag.

Inspect the oil filter housing and stem for damage including cracks or separation of the stem from the housing. If damaged, you must install a new oil filter housing assembly. Also, make sure you remove all components of the oil filter from the housing and oil filter adapter.



E252957

1. Install new O-ring seals on the oil filter housing and lubricate with clean engine oil.

Note: Failure to install new oil filter housing-to-engine oil filter adapter seals may result in oil leakage.

Note: The smallest o-ring that comes with the filter is not used in this application.



Maintenance

Note: Use only a Motorcraft FL-2062 oil filter for maximum performance, reliability and durability.

Note: The use of any oil filter other than the dealer supplied oil filter may cause engine damage.

See the Engine Oil Check section in the Maintenance chapter of your Owner's Manual for information on checking the engine oil.