

Technical Bulletin



Condition

Tail Light Assembly, Difficult to Remove or Lens Cracks During Removal

Tail light assembly is hard to remove or lens cracks during removal.

94 06 18 Dec. 2, 2006 2008512 Supersedes T. B. Group 94 number 05-01 dated Feb. 3, 2005 due to inclusion into ElsaWeb.

Model(s)	Year	Eng. Code	Trans. Code	VIN Range From	VIN Range To
Touareg	2004	All	All	All	All
Touareg	2005	All	All	7L_5D000001	7L_5D053136

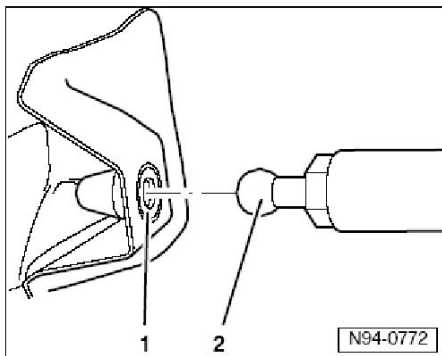
Technical Background

May be due to excessive retention force of the tail light retainer installed in the body.

Production Solution

Improved retainer Part Number 7L6905229 installed beginning with VIN 7L_5D053137.

Service



After removal of tail light assembly for service (i.e. removal due to damage or installation of a trailer hitch):

- Replace existing retainer -1- (white) with new improved retainer Part No: 7L6905229 (black).
- Reinstall Tail light assembly.



Tip:

Part number(s) are for reference only. Always see ETKA for the latest part(s) information.

Perform this procedure only if tail light must be removed during a needed repair (i.e. due to damage or installation of a trailer hitch).

Technical Bulletin



Warranty

When procedure applies to vehicles within the New Vehicle Limited Warranty, use the following:	
Claim Type:	W2
Part Identifier:	9431
Damage Code:	9431 10 _ _ _ * 2
Labor Operation:	94311900 = 20TU
Diagnostic Time:	No Additional Diagnostic Time Allowed
Claim Comment: Input "As per Technical Bulletin 2008512" in comment section of Warranty Claim.	

* Code per warranty vendor code policy.

Required Parts and Tools

Description	Part No:	Quantity
Retainer	7L6905229	1

No Special Tools required.