



**Important!**  
Please give copies to all  
your VW Technicians

# Technical Bulletin

**Subject: Windshield, Condensation on Exterior Lower Center  
During Warm/Humid Weather Conditions**

**Group: 87**

**Number: 05-02**

**Model(s): Touareg**

**2005 ► (see VIN table)**

**Date: Aug. 31, 2005**

**Supersedes T.B. Group 87 number 04-06 dated Nov. 1, 2004 due to addition of Model year, procedure update, and Change in Warranty Table.**

## Condition

Condensation on exterior lower center of windshield during warm/humid weather conditions.

Condensation can be removed using windshield wipers.

## Service

For vehicles produced within the VIN range listed below:

Model Year	VIN	Instructions
2005	to 7L_5D061197	Perform Bulletin if Customer indicates this condition exists.
2005	from 7L_5D061198	Perform Bulletin on ALL vehicles within given VIN range.
	to 7L_5D084401	

## Inspection - Vehicles within the listed VIN range

- Check Control Module Coding and installation of foam strips as follows:



### Tip:

*There are two parts to this Technical Bulletin:*

- ◆ *Check coding of climate control module (code if necessary).*
- ◆ *Check for installation of foam strips in center vent (install if necessary).*



**Important!**  
Please give copies to all  
your VW Technicians

# Technical Bulletin

Vehicle Self-Diagnosis	
Select vehicle system	
47 - Sound system 6E- Roof Display-/ Control Head 08 - Air conditioning/heating electronics 68- Wiper electronics 09 - Electronic central electrics 19 - Diagnostic interface for data-bus 29 - Light control left 39 - Light control right 69 - Trailer function	▲
Function ended!	▼
◀	Go to   Print   Help
01-A210	

- Climate control module coding, checking:**
- Connect the VAS 5051/5052 Diagnostic tool.
  - Switch ignition ON.
  - Select "Vehicle Self Diagnosis".
  - ◀ - Scroll down and select vehicle system "08-Air conditioning / heating electronics".

Vehicle Self-Diagnosis	08 - Air conditioning/heating elect...
Select diagnosis function	3B7907044 CLIMATRONIC B5W8    0006 Coding XXXX ◀ Dealership number XXXXX
02 - Interrogate fault memory 03 - Final control diagnosis 04 - Basic settings 05 - Erase fault memory 06 - End output 07 - Code control unit 08 - Read Measuring Value Block 09 - Reading individual measuring value 10 - Adaption 11 - Log-in procedure	
◀   Test Instruments	Go to   Print   Help
87-A232	

- ◀ - Check coding of Climate Control Head -arrow-.

◆ First digit should be a "2"

**Example:**

2xxxx

If first digit in coding is a "2" coding is correct:

- Go to "**Checking for foam strip**" (see page 3).

If first digit is not a "2", module coding is incorrect:

- Write down coding.
- Select diagnosis function "07-Code control unit".
- Input "2xxxx" (where xxxx = numbers previously recorded) on keypad

**Example:**

Old Coding = 00030

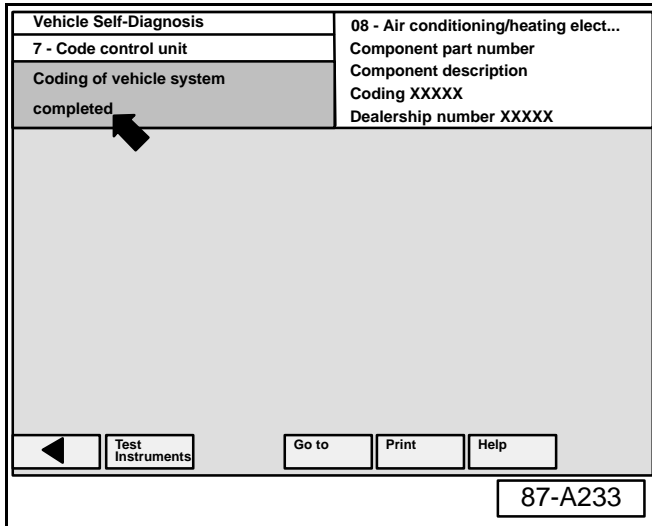
New Coding = 20030

- Select "Q" button to confirm.



**Important!**  
Please give copies to all  
your VW Technicians

# Technical Bulletin



◀ – Make sure coding is successfully completed -arrow-.

◆ First digit should now be a “2”

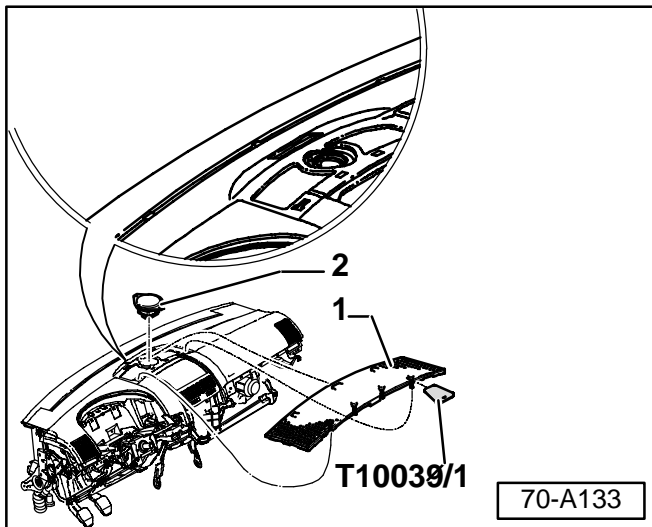
## 14. Checking for foam strip

### Materials required:

Foam strip Part No: 7L6 857 345 (qty. 2 required).

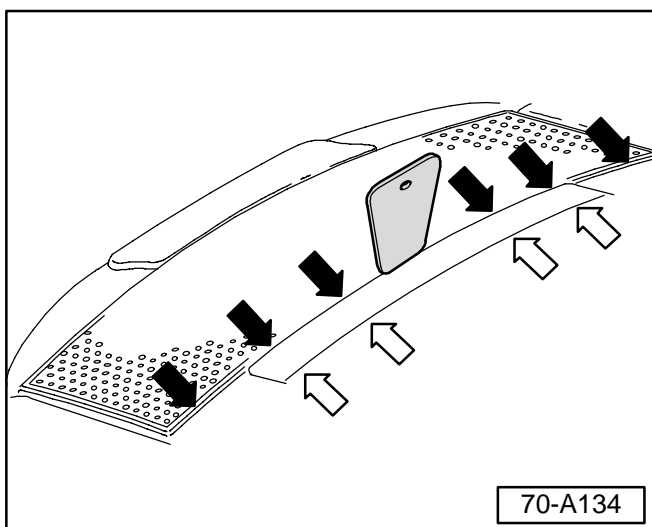
 **Tip:**

*Part numbers are for reference only. Always check with your Parts Dept. for the latest parts information.*



◀ – Carefully remove dash center vent grille -1- using wedge tool T10039/1 (see Tips below).

– Check for installation of foam strip (if foam strip is installed no additional work is necessary).



If foam strip is not installed:

– Remove speaker assembly -2- if equipped.

 **Tip:**

*grille is attached with clips*

◀ **DO NOT** attempt to lift grille at -white arrows-, this trim piece is not part of the grille

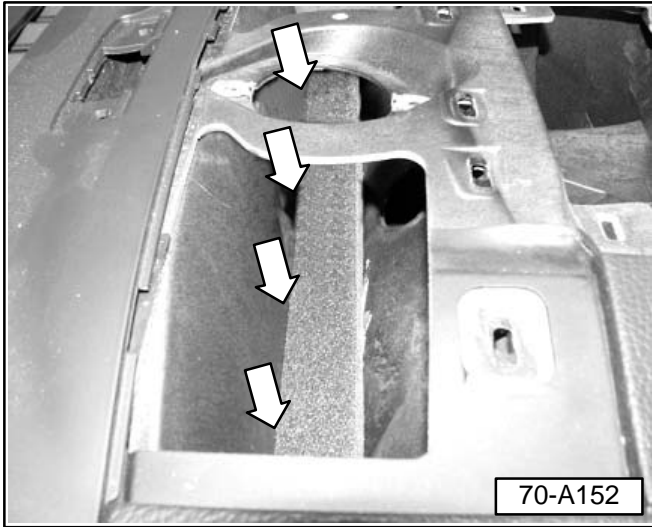
*grille is fragile, exercise care when removing.*

*A second tool is useful when removing grille.*



**Important!**  
Please give copies to all  
your VW Technicians

# Technical Bulletin



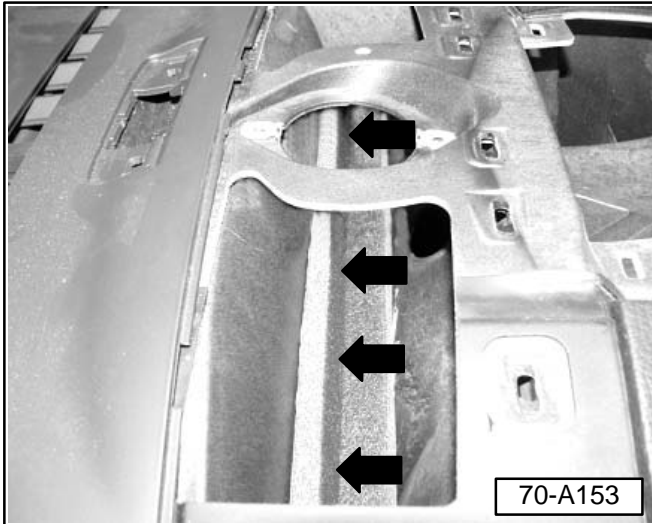
- Remove protective strip (exposing adhesive) on foam strip Part No: 7L6 857 345.



**Tip:**

*Surface where foam strips are applied must be clean and dry.*

- ◀ – Install first foam strip with adhesive facing down below speaker and over vent opening (white arrows).
- ◆ Press foam firmly in place ensuring entire vent opening is covered.



- ◀ – Install second foam strip:
  - ◆ Bottom edge pressing down on the previously installed foam strip.
  - ◆ Applied with adhesive facing front of vehicle on vertical surface of vent as shown (black arrows).

**Repair verification:**

- Switch HVAC fan full ON.
- Set air flow to center vent.
- Close other dash vents.
- Test by hand if air is flowing through center vent.
- ◆ Air should not flow through vent.
  - Reinstall speaker if equipped.
  - Reinstall Speaker grill.
  - Verify proper operation of HVAC system.



**Important!**  
Please give copies to all  
your VW Technicians

# Technical Bulletin

<b>When procedure applies to vehicles within the New Vehicle Limited Warranty, use one of the following:</b>	
<b>Claim Type:</b>	<b>W2</b>
<b>Part Identifier:</b>	<b>8704</b>
<b>Damage Code</b>	<b>8704 11 000 1</b>
<b>Description</b>	<b>Labor Operation</b>
<b>Install foam and Code Control Module</b>	<b>87049999 Maximum A-Time Allowed 20TU</b>
<b>Diagnostic Time:</b>	<b>No diagnostic time allowed</b>
<b>Claim Comment: Type "As Per Technical Bulletin V870502" in comment section of Warranty claim.</b>	