



**Important!**  
Please give copies to all  
your VW Technicians

# Technical Bulletin

## Vehicle Delivery Information

**Subject: Windshield, Condensation on Exterior Lower Center  
During Warm/Humid Weather Conditions**

**Group: 87**

**Number: 04-06**

**Model(s): Touareg**

**2005**

**Date: Nov. 01, 2004**

### Condition

Condensation on exterior lower center of windshield during warm/humid weather conditions. Condensation can be removed using windshield wipers.

### Service

For vehicles produced before VINs listed below:

Type of Climate Control	VIN
Vehicles equipped with Dual Zone Climatronic	5D037116
Vehicles equipped with Four Zone Climatronic	5D037343

### Inspection - Dealer Inventory

Prior to vehicle delivery to customer:

- The following must be performed on all applicable vehicles (during the PDI).

Inspect each vehicle for a green dot on the inside rear view mirror.

If mirror has green dot:

- DO NOT perform this Technical Bulletin.

If mirror does not have green dot:

- Continue with this Technical Bulletin.



**Important!**  
Please give copies to all  
your VW Technicians

# Technical Bulletin

## Vehicle Delivery Information

### Inspection - Vehicles delivered to customer prior to KW 43/04 (October 18, 2004)

AT the first opportunity, (when customer returns vehicle to dealership):

- Code Control Module and install foam strip as follows.

#### Materials required:

- Foam strip Part No: 7L6 857 345 (all vehicles)

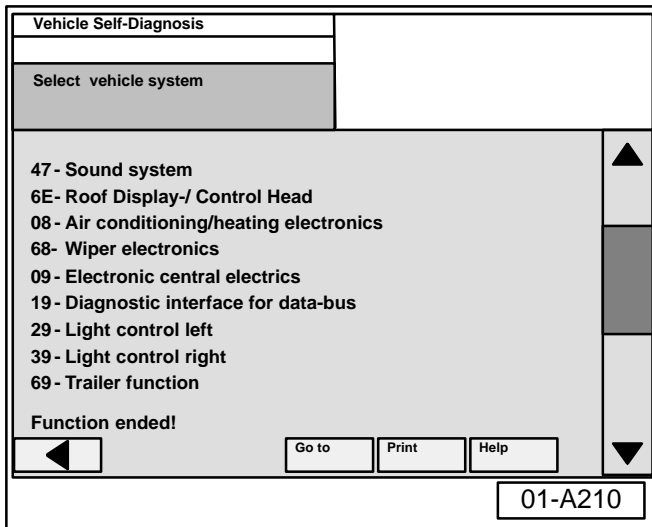
#### **CAUTION!**

*Part numbers are for reference only. Always check with your Parts Dept. for the latest parts information.*

There are two parts to this Technical Bulletin:

- ◆ Coding climate control module.
- ◆ Install foam strip.

Both procedures must be completed on all vehicles (without green dot on mirror).



#### Coding climate control module:

- Connect the VAS 5051/5052 Diagnostic tool.
- Switch ignition ON.
- Select "Vehicle Self Diagnosis".
- Scroll down and select vehicle system "08-Air conditioning / heating electronics".



**Important!**  
Please give copies to all  
your VW Technicians

# Technical Bulletin

## Vehicle Delivery Information

Vehicle Self-Diagnosis	08 - Air conditioning/heating elect... 3B7907044 CLIMATRONIC B5W8 0006 Coding XXXX ← Dealership number XXXXX
Select diagnosis function	
02 - Interrogate fault memory 03 - Final control diagnosis 04 - Basic settings 05 - Erase fault memory 06 - End output 07 - Code control unit 08 - Read Measuring Value Block 09 - Reading individual measuring value 10 - Adaption 11 - Log-in procedure	
<input type="button" value="←"/> <input type="button" value="Test Instruments"/> <input type="button" value="Go to"/> <input type="button" value="Print"/> <input type="button" value="Help"/>	<input type="text" value="87-A232"/>

← – Check coding of Climate Control Head -arrow-.

◆ First digit should be a “2”

**Example:**

2xxxx

If first digit in coding is a “2” coding is correct:

– Go to “Install foam strip.

If first digit is not a “2” module coding is incorrect:

– Write down coding.

– Select diagnosis function “07-Code control unit”.

– Input “2xxxx” (where xxxx = numbers previously recorded) on keypad

**Example:**

Old Coding = 00030

New Coding = 20030

– Select “Q” button to confirm.

Vehicle Self-Diagnosis	08 - Air conditioning/heating elect... Component part number Component description Coding XXXXX Dealership number XXXXX
7 - Code control unit	
Coding of vehicle system completed ←	
<input type="button" value="←"/> <input type="button" value="Test Instruments"/> <input type="button" value="Go to"/> <input type="button" value="Print"/> <input type="button" value="Help"/>	
<input type="text" value="87-A233"/>	

← – Make sure coding is successfully completed -arrow-.

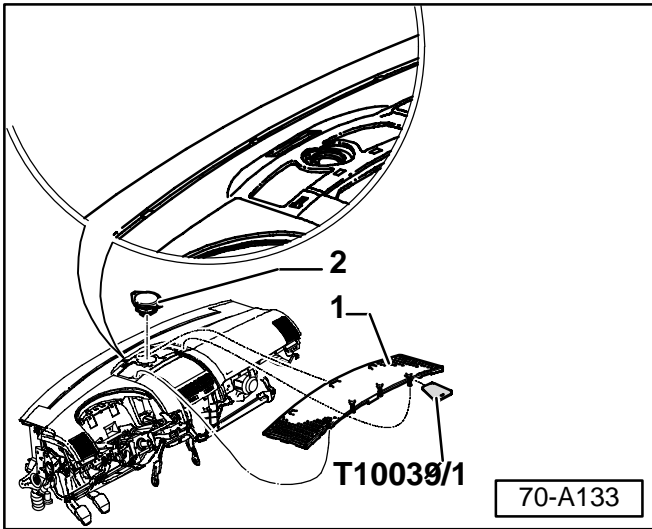
◆ First digit should now be a “2”



**Important!**  
Please give copies to all  
your VW Technicians

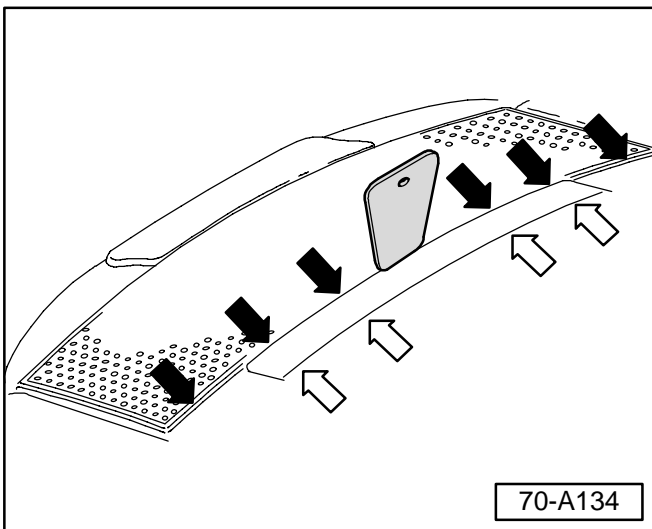
# Technical Bulletin

## Vehicle Delivery Information



### Install foam strip

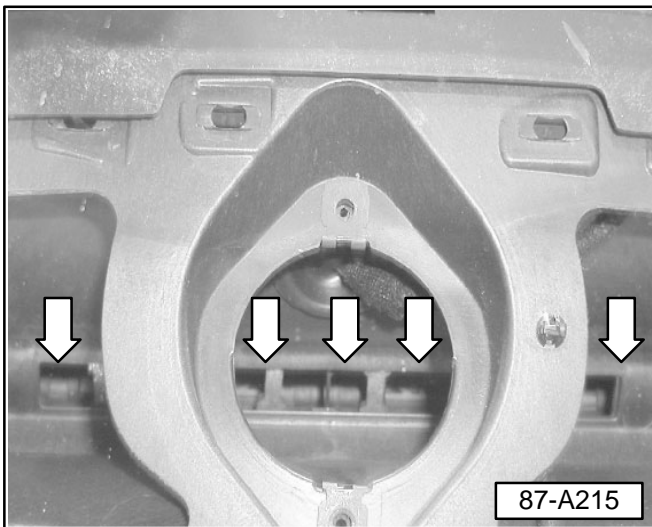
- ◀ - Carefully remove dash center vent grille -1- using wedge tool T10039/1 (see notes below).
- Remove speaker assembly -2- if equipped.



### Note:

*grille is attached with clips*

- ◀ **DO NOT** attempt to lift grille at -white arrows-, this trim piece is not part of the grille
- grille is fragile, exercise care when removing.*
- A second tool is useful when removing grille.*



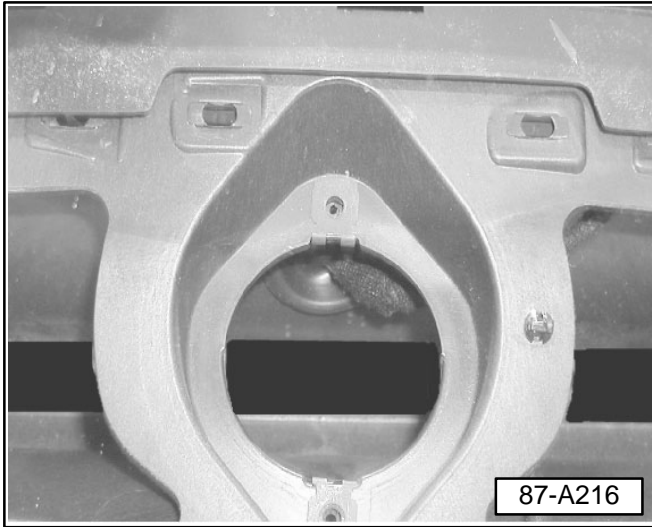
- Remove protective strip (exposing adhesive) on foam strip Part No: 7L6 857 345.
- ◀ - Install foam strip with adhesive facing down below speaker and over vent opening (arrows).



**Important!**  
Please give copies to all  
your VW Technicians

# Technical Bulletin

## Vehicle Delivery Information



- ◀ – Press foam firmly in place ensuring entire vent opening is covered. (indicated by blacked out area).
- Reinstall speaker if equipped.
- Reinstall center vent grille.

### Repair verification:

- Verify proper operation of HVAC system.
- Ensure no Diagnostic Trouble Codes (DTCs) are stored in DTC memory.

<b>When procedure applies to vehicles within the New Vehicle Limited Warranty, use one of the following:</b>	
<b>Claim Type:</b>	<b>W2</b>
<b>Part Identifier:</b>	<b>T704</b>
<b>Damage Code</b>	<b>T704 11 000 1</b>
<b>Description</b>	<b>Labor Operation</b>
<b>Install foam and Code Control Module</b>	<b>T7049998 20TU</b>
<b>Claim Comment: Type “As Per Technical Bulletin V870406” in comment section of Warranty claim.</b>	