



Important!

Please give copies to all
your VW Technicians

Technical Bulletin

Subject: **Windshield, Condensation on Exterior Lower Center
During Warm/Humid Weather Conditions**

Group: **87**

Number: **04-05**

Model(s): **Touareg**

2004

Date: **Sept. 3, 2004**

Supersedes T.B. Group 87 number 04-02 dated May 17, 2004 due VIN update and Coding changes for Control Modules

Condition

Condensation on exterior lower center of windshield during warm/humid weather conditions. Condensation can be removed using windshield wipers.

Service

Materials required:

- Foam strip Part No: 7L6 857 345 (all vehicles)
- Vehicle specific parts (see table)

Dual - Zone Climatronic		
Vehicle Designation	Part Number	Part Description
To VIN: 4D051752	7L6 907 040H add color code 3X1	Climatronic Control Module Hardware level: 0007 Software level: X3716 Coding 20020
From VIN: 4D051752	New Control Module not required (coding change only)	

Four - Zone Climatronic		
Vehicle Designation	Part Number	Part Description
To VIN: 4D051717	7L6 907 044H add color code 3X1	Climatronic Control Module Hardware level: 0005 Software level: X3717 Coding 20030
From VIN: 4D051717	New Control Module not required (coding change only)	

CAUTION!

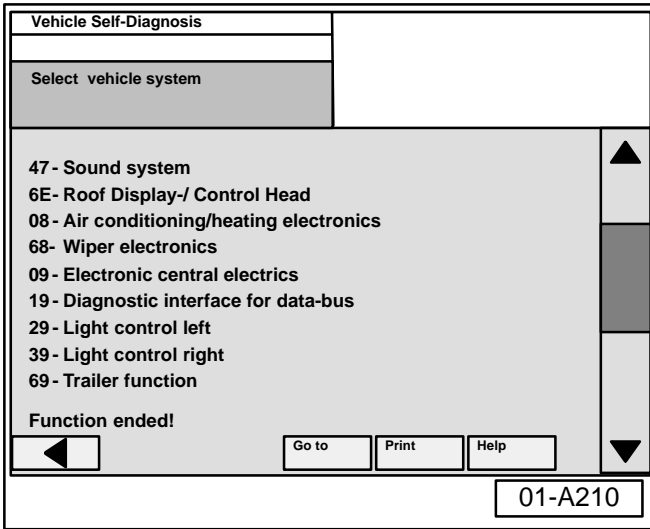
***Part numbers are for reference only.
Always check with your Parts Dept. for
the latest parts information.***



Important!

Please give copies to all your VW Technicians

Technical Bulletin



Repair Procedure:

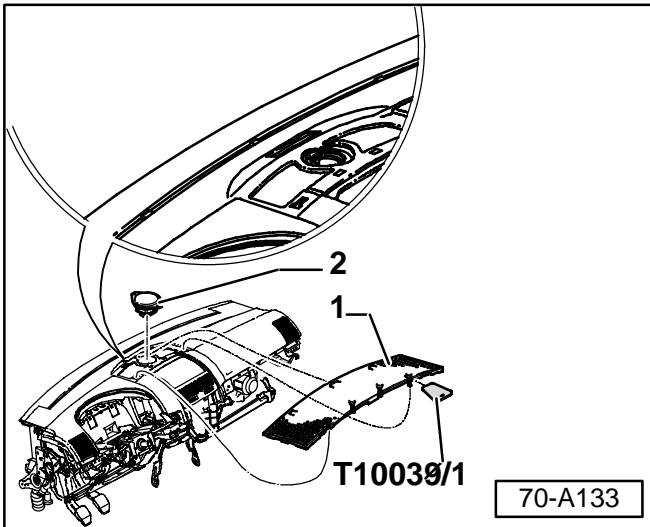
- Connect the VAS 5051/5052 Diagnostic tool.
- Switch ignition ON.
- Select "Vehicle Self Diagnosis".
- Use scroll bar to the right of the screen.
- Scroll down and select vehicle system "08-Air conditioning / heating electronics".
- Determine Climatronic control module part number in vehicle (see VAG 5051 / 5052 screen upper right).

If new control module is required:

- Install control module (see Repair Manual, Group 87 - *Climatronic Control Module -J255-* with A/C control head, removing and installing).

For all vehicles, Install foam strip in center vent as follows:

- Carefully remove dash center vent grill -1- using wedge tool T10039/1 (see notes below).
- Remove speaker assembly -2- if equipped.



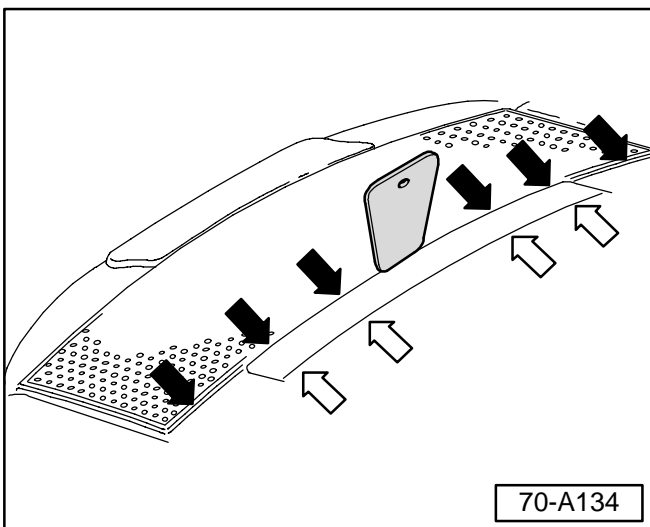
Note:

Grill is attached with clips

- DO NOT attempt to lift grill at -white arrows-, this trim piece is not part of the grill

Grill is fragile, exercise care when removing.

A second tool is useful when removing grill.

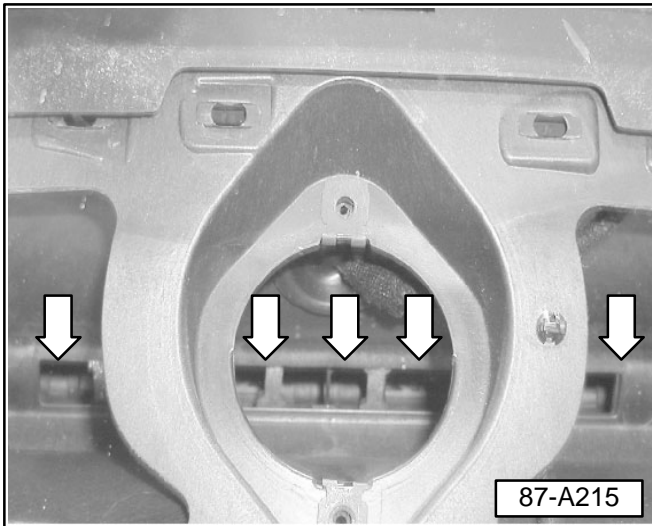




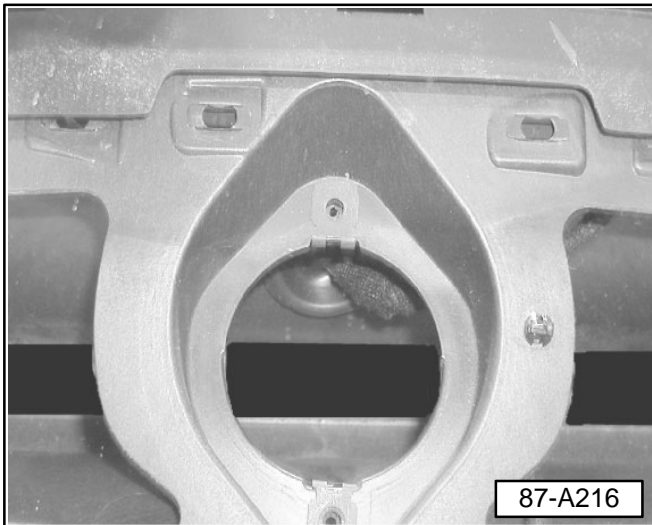
Important!

Please give copies to all
your VW Technicians

Technical Bulletin



- Remove protective strip (exposing adhesive) on foam strip Part No: 7L6 857 345.
- ◀ – Install foam strip with adhesive facing down below speaker and over vent opening (arrows).



- ◀ – Press foam firmly in place ensuring entire vent opening is covered. (indicated by blacked out area).
- Reinstall speaker if equipped.
- Reinstall center vent grill.

Climatronic control module, coding

- Enter function “07” “Code Control Module”
- Enter Code for Control module on keypad
- ◆ Dual Zone = 20020
- ◆ Four Zone = 20030
- Select “Q” to confirm.

Repair verification:

- Verify proper operation of HVAC system.
- Ensure no Diagnostic Trouble Codes (DTCs) are stored in DTC memory.



Important!

Please give copies to all
your VW Technicians

Technical Bulletin

When procedure applies to vehicles within the New Vehicle Limited Warranty, use one of the following:

Part Identifier:	8704
Description	Labor Operation:
Install foam and Code Control Module	87049999 Maximum A-Time allowed 20TU
Install foam and Control Module Includes Code control module	87049999 Maximum A-Time allowed 40TU