



# Important!

Please give copies to all your VW Technicians

# Technical Bulletin

Subject: Exterior Door Handle, Remains In Open Position

Group: 57

Number 05-02

Model(s): Touareg

2004 ► 2005 to VIN: 7L\_5D070270 Date: June 10, 2005

## Condition

Exterior door handle sticks in the opened position after door is opened.

## Service

There are three possible causes identified. The following corrective measures are in order of the most likelihood of occurrence.

### Tip:

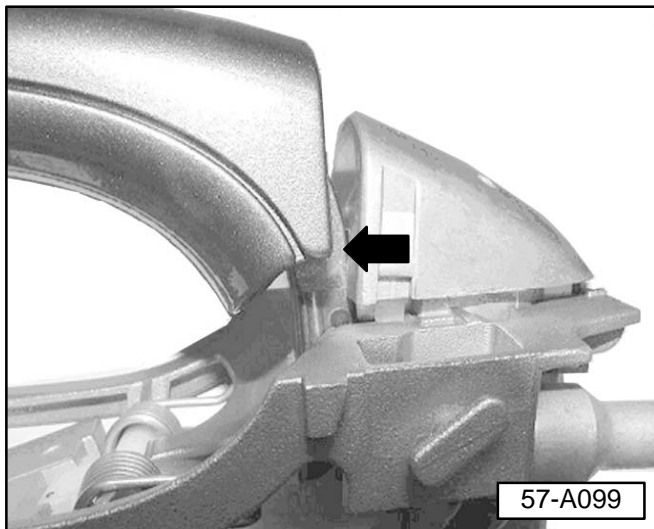
*Corrective measures for 1 and 2 should always be performed together. Corrective measures for 3 should ONLY be used if 1 and 2 are not effective.*

### Cause 1:

- ◀ ◆ Outside door handle rubs on tower (arrow) with visible scoring.

### Corrective Measure 1:

- Remove and disassemble door handle.

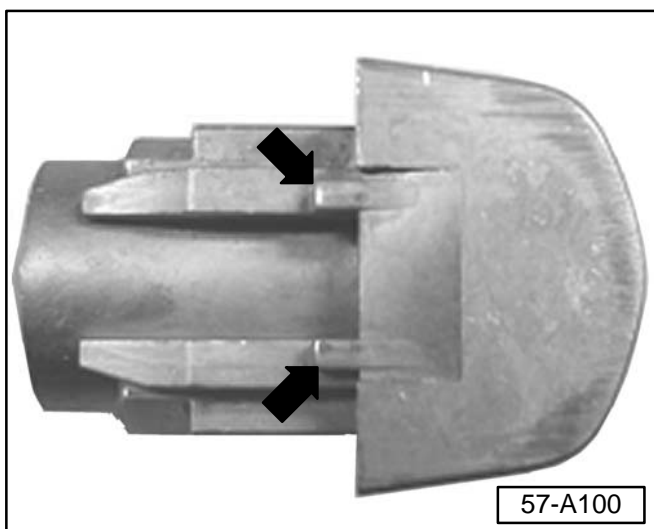


- ◀ - Grind off approximately 1 mm of material from the tips of the towers (arrows), or enough material to prevent rubbing. DO NOT grind flats .

### Tip:

*DO NOT grind off too much material. Door handle should still lay against towers in the normal position after re-work.*

- Lubricate towers lightly with water proof grease.

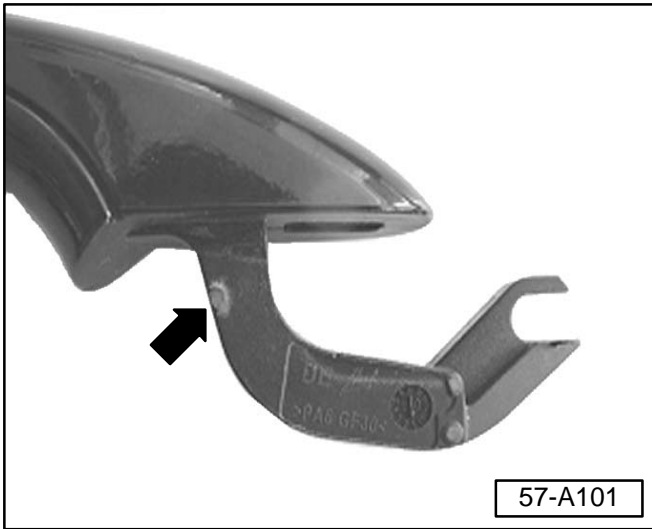




# Important!

Please give copies to all your VW Technicians

# Technical Bulletin

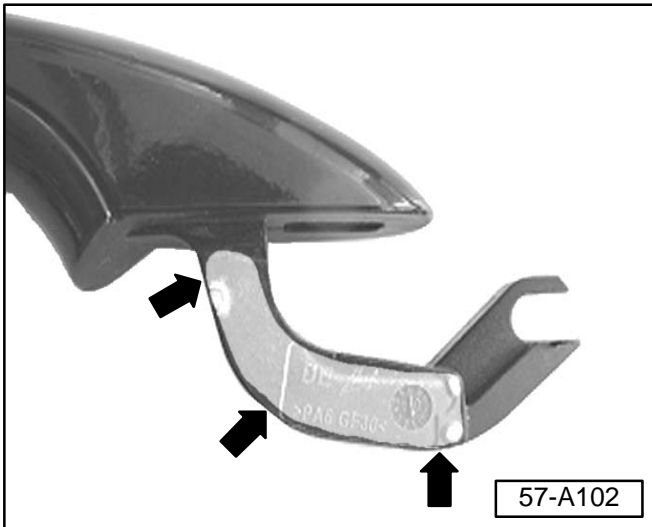


### Cause 2:

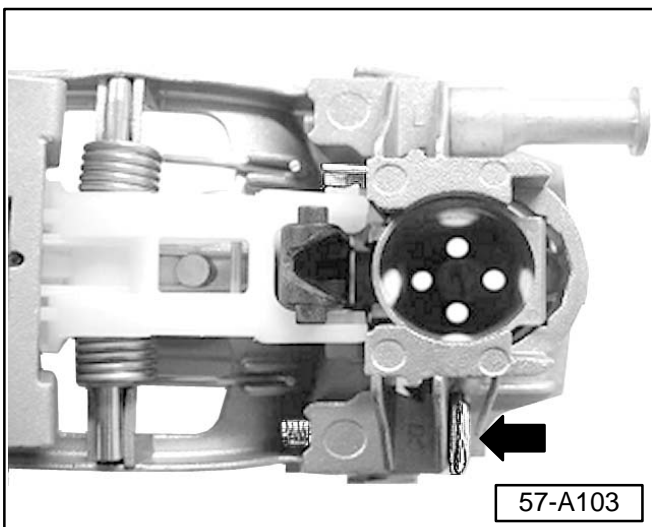
- ◆ Severe friction between individual components.

### Corrective Measure 2:

- Remove and disassemble door handle.
- ◀ – Grind off two small notches (arrow), one each side, on the door handle.



- ◀ – Apply a thin layer of water proof grease to area indicated.



### Cause 3:

- ◆ Plastic bell crank can jamb behind leaf spring.

### Corrective Measure 3:

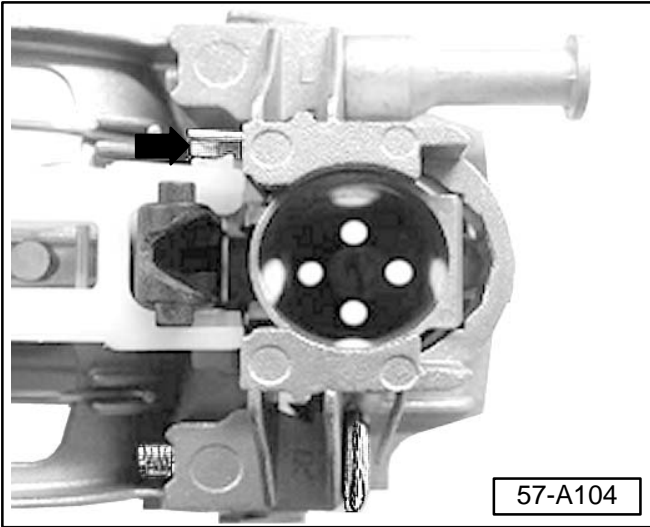
- ◀ – Check to make sure that adjusting screw (arrow) is fully screwed in, tighten as necessary.



# Important!

Please give copies to all your VW Technicians

# Technical Bulletin



- ◀ – Grind a little material off of white bell crank to ensure clearance.
- Assemble door handle, install and ensure correct operation.

**When procedure applies to vehicles within the New Vehicle Limited Warranty, use the following:**

<b>Claim Type:</b>	<b>W2</b>
<b>Part Identifier:</b>	<b>5711</b>
<b>Damage Code:</b>	<b>5711 17 000 1</b>
<b>Labor Operation: Standard Handle</b>	<b>5711 4900 30TU each handle*</b>
<b>Labor Operation: Keyless Entry</b>	<b>5711 4902 70TU each handle*</b>
<b>Diagnostic Time:</b>	<b>No Diagnostic Time Allowed</b>

**Claim Comment: Type “As per Technical Bulletin V570502” in comment section of Warranty Claim**

\*) When repair must be performed on opposite side, claim on next available claim ID line.