



Important!

Please give copies to all
your VW Technicians

Technical Bulletin

Subject: **Tire Pressure Monitoring System Displays “Error” in Instrument Cluster**

Group: **44**

Number: **06-01**

Model(s): **Touareg with Tire Pressure Monitoring System**

2004 ▶ 7L_4D019197

Date: **Feb. 13, 2006**

Supersedes T.B. Group 44 Number 04-02 dated May 20, 2004 due to bulletin being removed from Required Vehicle Updates category.

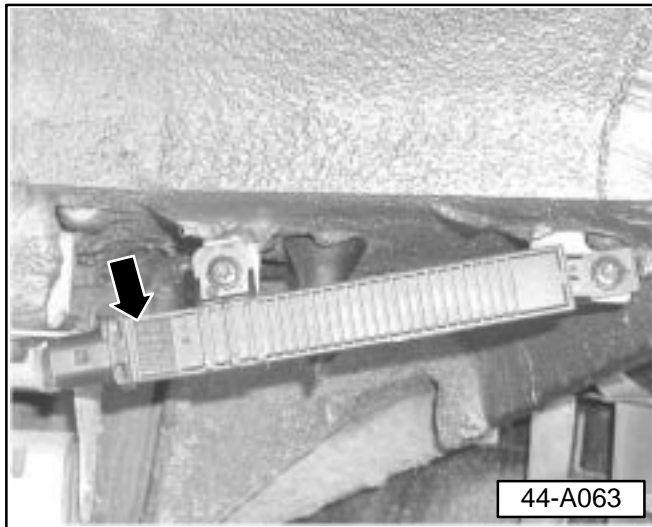
Condition

Tire Pressure Monitoring System Displays “Error” in Instrument Cluster Multifunction Display.

Service

Inspection

- Remove wheel liner in left rear wheelhouse.
- Check Tire pressure monitoring antenna location.



◀ If Tire pressure monitoring antenna is in revised location -arrow-:

- ◆ No Service Action is required. DO NOT complete this technical bulletin.

If Tire pressure monitoring antenna is in original location:

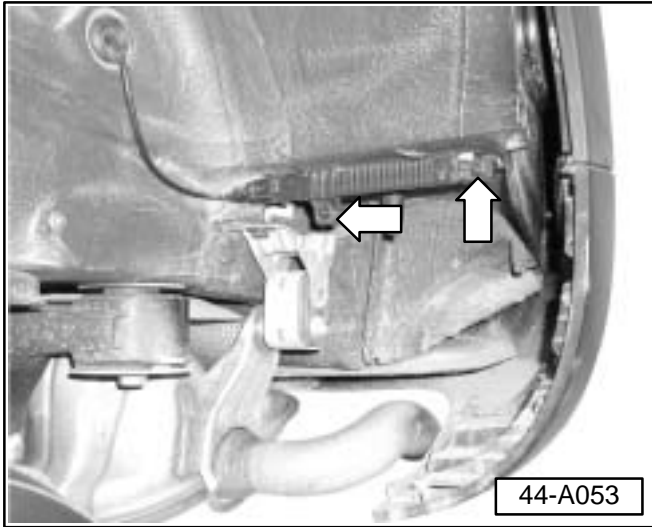
- Perform the following two steps in order.
 1. - Relocate left rear Tire pressure monitoring antenna.
 2. - Reassemble vehicle and follow “store tire pressure values” instructions.



Important!

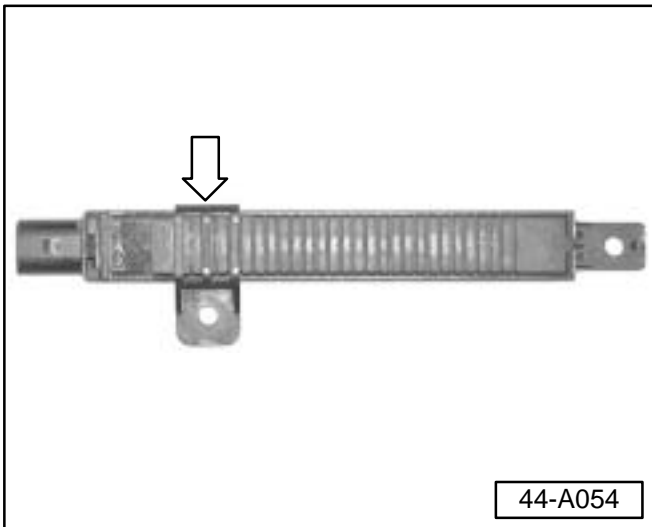
Please give copies to all your VW Technicians

Technical Bulletin

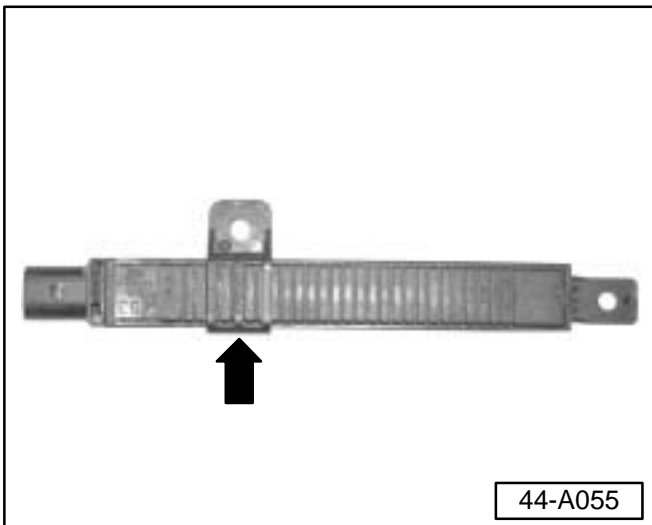


1. Relocation of the antenna

- Remove antenna and reverse mounting bracket on the antenna as follows:
- ◀ - Remove both mounting bracket fasteners (arrows).



- ◀ - Remove fastener bracket from old location (arrow).



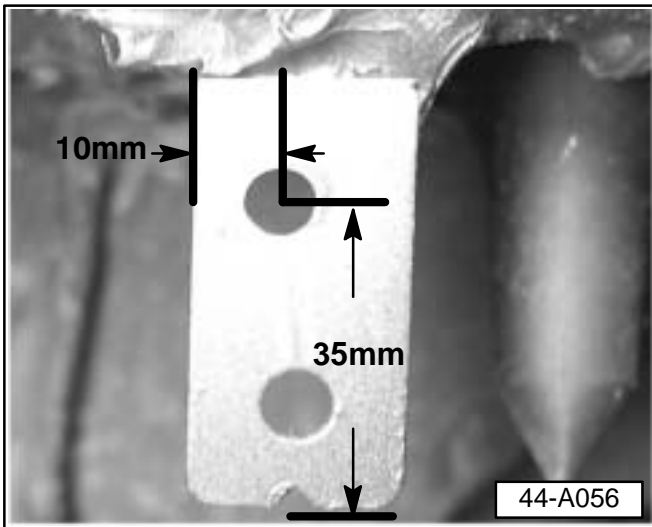
- ◀ - Flip bracket and install as shown (arrow).



Important!

Please give copies to all your VW Technicians

Technical Bulletin

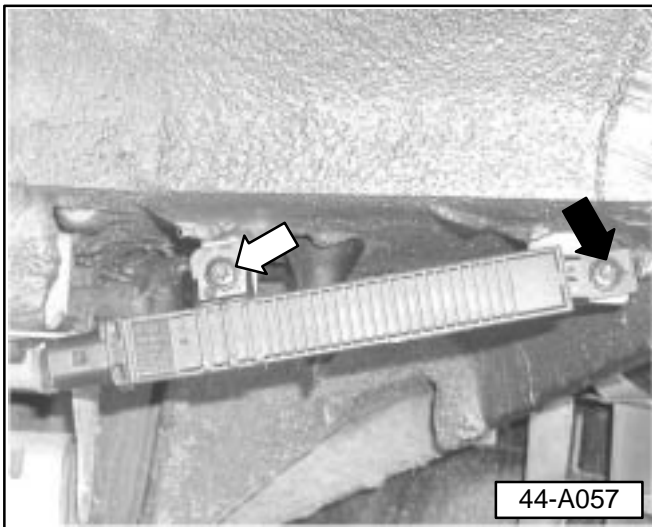


- ◀ – Mark Antenna Mounting bracket in location as shown.
- Drill mounting bracket using a 6.35mm (1/4 inch) drill bit and remove any burrs from the hole.
- ◆ Paint any bare metal to eliminate any corrosion possibility by applying two coats of Body color touch-up paint.



Note:

Allow sufficient drying time between coats.

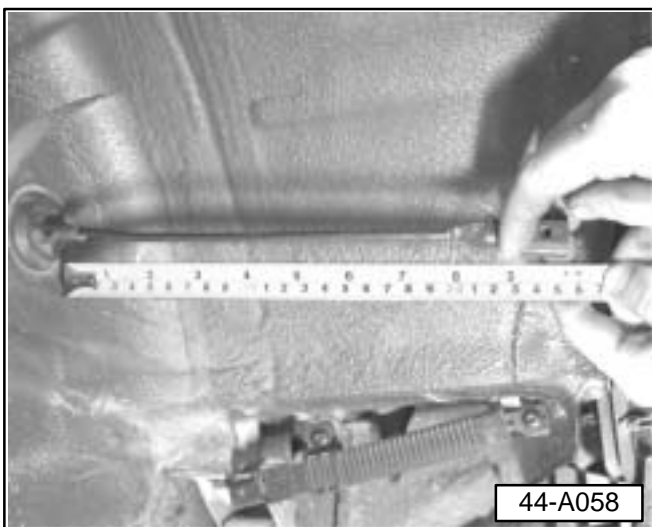


- ◀ – Assemble Antenna to bracket after allowing 15 minutes of paint drying time.



Note:

First, install fastener at fixed point (black arrow), then slide bracket on antenna as necessary to align second fastener (white arrow).



- ◀ – Adjust cable to body grommet length to 25cm.



Note:

- ◆ *Length of antenna cable must be 25 cm from groove in grommet to connector end. Pull antenna cable through grommet to adjust length.*
- Install connector to antenna.
- Reassemble removed parts.



Important!

Please give copies to all
your VW Technicians

Technical Bulletin

**2. Follow instructions in Owner's Manual
"Tire pressure monitoring system" to store
tire pressure values**

If system learns and stores values and no
warning lights are ON.

- ◆ Work is complete.
- If system does not learn and store values or
warning lights are ON.
- See Technical Bulletin Group 44 Number
04-04.



Important!

Please give copies to all
your VW Technicians

Technical Bulletin

When procedure applies to vehicles with-
in the New Vehicle Limited Warranty, use
the following:

Claim Type:	W2
Part Identifier:	4438
Damage Code:	4438 16 000 1
Labor Operation: Relocating TPMS antenna and testing system	44383100 110 TU
Diagnostic Time:	No Diagnostic Time Allowed
Claim Comment: Type "As per Technical Bulletin V440601" in comment section of Warranty Claim	