



Important!

Please give copies to all
your VW Technicians

Technical Bulletin

Subject: Tire Pressure Monitoring System, Warning Light Is ON Group: 44

Number: 04-03

Model(s): Touareg with Tire Pressure
Monitoring System

2004 ► 4D018766

Date: May 20, 2004

Supersedes T.B. Group 44 number 03-02 due to changes in technical instructions of this
Technical Bulletin

Condition

Tire Pressure Monitoring System Warning
Light is ON.

Reference Material

Refer to Owner's Manual Supplement
(Literature No. 241.552.RDK.21) announced
in Service Circular Literature and Supply
VLS-04-01.

Copies of this supplement may be ordered
from the Volkswagen Technical Literature
Ordering Center at www.vw.dds ltd.com, or by
calling 1-800-544-8021 from 8:00 am to 8:00
pm EST Monday through Friday. This number
can be dialed in both the United States and
Canada.

Service

Note:

*Before performing this Technical Bulletin see
Technical Bulletin Group 44 Number 04-02.*

– Perform the following three steps in order.

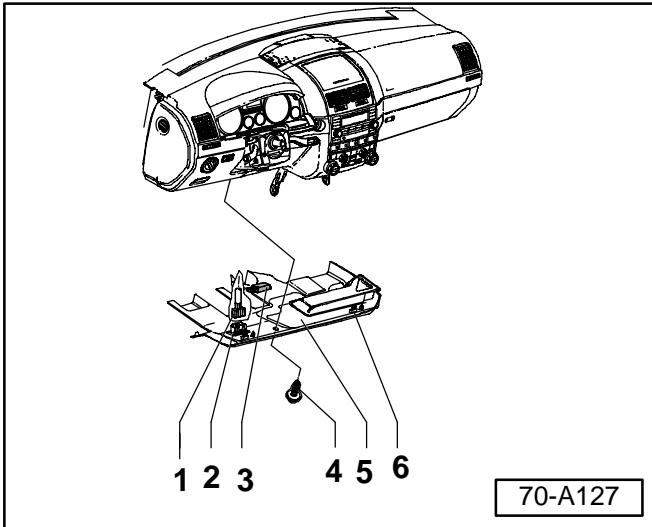
1. Check and, if necessary, replace Tire
Pressure Monitoring Control module
prior to VIN: 4D018766.
2. Reassemble vehicle and follow “store
tire pressure values” instructions
3. Diagnosis information listed in VESIS
under 'additional information



Important!

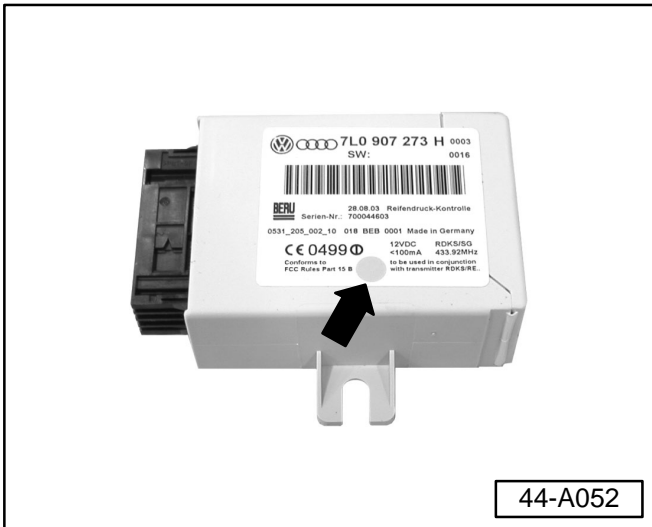
Please give copies to all your VW Technicians

Technical Bulletin



1. Check and if necessary, replace Tire Pressure Monitoring Control module prior to VIN: 4D018766

- Switch ignition OFF.
- Remove bolt -4- (2x).
- ◀ - Pry driver side footwell cover -5- out of mountings near clip -6- using wedge T10039/1.
- Pull cover out of rear mountings.
- Disconnect footwell light -3- from wiring harness.
- Separate wiring harness -1- from diagnosis plug -2-.



- ◀ - Inspect control module for Part No: 7L0 907 273H with green dot (arrow) or Part No. 7L6 907 273.

If control module is Part No: 7L0 907 273E or 7L0 907 273H without green dot:

- Disconnect control module (mounted on A-pillar) .
- Install new control module with Part No: 7L6 907 273 or Part No: 7L6 907 273B.
- Code module to 0210390 (using VAS 5051 Self-Diagnosis).

Continue to Step 2.

If control module is Part No: 7L0 907 273H with green dot, Part No: 7L6 907 273 or Part No: 7L6 907 273B:

- Reinstall control module and continue to Step 2.



Important!

Please give copies to all your VW Technicians

Technical Bulletin

2. Follow instructions in Owner’s Manual “Tire pressure monitoring system” to store tire pressure values

If system learns and stores values and no warning lights are ON.

- ◆ Work is complete.
- If system does not learn and store values or warning lights are ON.
- Continue with Step 3.

3. Diagnose using the information found in VESIS under: Library / Additional information / Other topics / Tire pressure monitoring system

When procedure applies to vehicles within the New Vehicle Limited Warranty, use the following:	
Part Identifier:	4434
Labor Operation:	44341950 10 TU
Does not include additional diagnosis if necessary (step 4)	