



# Important!

Please give copies to all your VW Technicians

# Technical Bulletin

Subject: Air Suspension, DTC 01772 008 Stored in DTC Memory Group: 43

Number: 05-02

Model(s): Touareg

2004 ► 2006

Date: Dec. 9, 2005

Supersedes T.B. Group 43 Number 05-01 dated November 15, 2005 due to Warranty Table Information Change and Inclusion of Repair Kit Part Number.

## Condition

Air suspension Diagnostic Trouble Code 01772 008 "implausible signal of pressure sensor" is stored in memory.

In most cases this DTC is related to a leak in the system.

The following outlines proper diagnostic sequence.

## Service

### Air spring damper supply line, leak test

- ◀ – Using soapy water (or foaming windshield cleaner), leak test all lines at the compressor and valve block.



#### Tip:

*Compressor must be detached from its body mounts, in order to have access to all lines.*

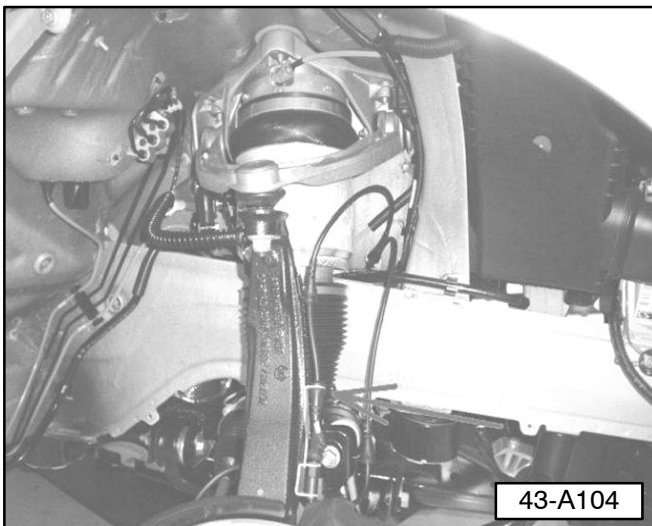
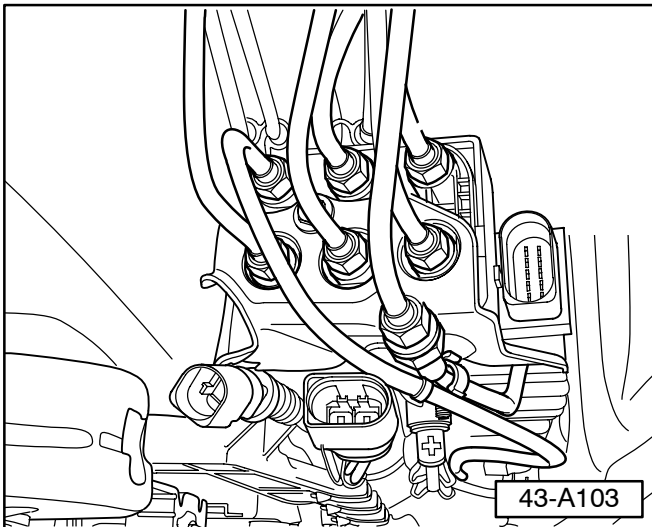
- Wiggle lines during test to simulate a driving situation.



#### Tip:

*Some leaks might only be detectable in this condition.*

- ◀ – Follow lines to individual air spring damper (where accessible without major disassembly), to check for any leaks or kinks in lines.
- Repair any lines kinked or leaking.

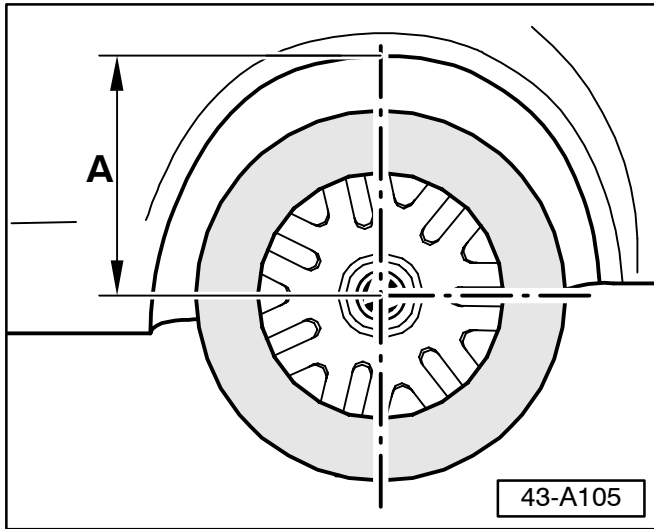




# Important!

Please give copies to all  
your VW Technicians

# Technical Bulletin



## Air spring dampers, 12 hour leak down test

- Put car in regular auto driving level.
- Start and idle engine for 10 minutes with doors and liftgate closed.
- Stop engine and switch OFF all electrical consumers.
- Disconnect air suspension control module electrical connector (right rear quarter).
- Record height dimension at every wheel opening.
- Let vehicle sit with doors and liftgate closed for the next 12 hours.
- Measure wheel openings again to see if suspension has lowered.

### Tip:

*This measurement must be taken at similar a temperature ( $\pm 5$  °F).*

- ◆ A 2-3 mm drop in suspension height overnight is normal.
- ◆ A 5 mm or greater drop in suspension height indicates a leak at that particular corner of vehicle.
- Check lines from the air spring damper to the valve block for leaks.
- Wiggle lines, as they often need a dynamic situation to show problems.

### Tip:

*There are no check valves in each individual air spring damper and the line is pressurized from valve block to each air spring damper.*

- ◆ If more than one corner of vehicle drops in excess of 5mm, leak is most likely in the valve block.
- Replace valve block.



# Important!

Please give copies to all your VW Technicians

# Technical Bulletin



- Repair any lines kinked or leaking.

## Accumulator and line, leak test

- Lines to air spring dampers were previously verified.
- Follow blue lines from compressor to accumulators to check for leaks.

These lines are not easy to access:

- Rear seat and carpet have to be removed or peeled back to get to blue lines in some places.

### Tip:

◀ *One difficult leak to find is a poor line seating condition at rear accumulator.*

- Wiggle lines to determine if it leaks only in a dynamic situation.
- Repair any lines kinked or leaking.

## Compressor insufficiency

If above DTC returns after actions above have been completed:

- **DO NOT REPLACE** Compressor.
- Compressor should be repaired with repair kit Part No: 7L0 698 030, see repair manual, Group 43 – *Self leveling suspension, Air Supply Unit, servicing.*

### Tip:

*Part numbers listed in this T.B. are for reference only. Always check with your Parts Dept. for the latest parts information.*



# Important!

Please give copies to all  
your VW Technicians

# Technical Bulletin

**When procedure applies to vehicles with-  
in the New Vehicle Limited Warranty, use  
the following:**

<b>Claim Type:</b>	<b>W2</b>
<b>Part Identifier:</b>	<b>4315</b>
<b>Damage Code:</b>	<b>4315 10 000 1</b>
<b>Labor Operation:</b>	<b>Use applicable SRTs</b>
<b>Diagnostic Time:</b>	<b>Use punch time for actual diagnostic time used</b>

**Claim Comment: Type "As per Technical  
Bulletin V4305XX" in comment section of  
Warranty Claim**