



- [BROWSE BY APPLICATION](#)
- [WINCHES](#)
- [HOISTS](#)
- [WINCH ACCESSORIES](#)
- [MOUNTING SYSTEMS](#)
- [BUMPERS](#)
- [OFF-ROAD LIGHTS](#)
- [BODY ARMOR](#)
- [PLOW SYSTEMS](#)
- [4WD HUBS](#)
- [4X FENDER FLARES](#)
- [APPAREL](#)
- QUICK LINKS ::**
- [WHERE TO BUY](#)
- [FIND PRODUCTS BY VEHICLE](#)
- [CONTACT US](#)
- [CAREER OPPORTUNITIES](#)
- [BECOME AN AUTHORIZED RETAILER](#)

Jeep, Truck & SUV Winches: ZEON 10-S



**WARN® ZEON™ 10-S
10,000 lbs. of cutting-edge pulling muscle**

Choose your way to conquer the terrain. The ZEON 10-S is tough enough to tackle anything you will, with a look that is advanced, capable and strong. Muck-busting sealing keeps out everything but the good times. Add a hyper-durable cast-aluminum housing, satin-black finish, and 10,000 lbs. single-line pulling capacity and, well, you've got a workhorse unit you can trust for years to come.

- 10,000 lb. (4536 kg) single-line pulling capacity.
- Includes 100' of 3/8" WARN Spydura synthetic rope, a temperature-resistant sleeve on the first layer, a ballistic nylon sliding sleeve for abrasion resistance, and a polished aluminum hawse fairlead
- Convertible control pack can be attached to the winch or remotely mounted, allowing for various winch mounting options and looks. (Relocation kit required and sold separately*)
- New-design planetary gear train and series-wound motor deliver fast, quiet, and reliable pulling power.
- Satin-black powder-coated finish with stainless steel fasteners and clutch lever looks great and inhibits corrosion. Improved winch sealing to keep the elements out.
- Large diameter winch drum reduces rope wear, is light weight, and has an integrated rope anchor for easy rope installation.
- Backed by the WARN Limited Lifetime Warranty

*Control Pack Relocation Kit. Required to mount control box remotely from winch. PN 89970 (Short kit), PN 89960 (Long kit)

WHERE TO BUY

ZEON 10-S SPECS/PART NUMBER

Part number: 89611
Rated line pull: 10,000 lbs. (4536 kg) single-line
Motor: 12V DC, series wound
Electrical controls: Contactor
Remote Control: Remote switch, 12' (3.7m) lead
Geartrain: 3-stage planetary
Gear ratio: 216:1
Clutch (freespooling): Rotating ring gear
Brake: Automatic mechanical cone
Drum diameter/Length: 3.15"/9.0" (80mm/229mm)
Weight (kit shipping): 75 lbs. (34 kg)
Rope: 3/8" x 100' (9.5mm x 30.5m) Spydura synthetic
Fairlead: Hawse
Recommended Battery: 650 CCA minimum for winching
Battery leads: 2 gauge, 72" (1.83m)
Finish: Satin-black powder coat
Warranty: Limited lifetime

12V DC PERFORMANCE SPECS

Line Pull Lbs.(Kgs.)	Line Speed FT./min(M/min.)	Motor Current	Pull by layer layer/Lbs(Kgs.)
0	33 (10.27)	62 amps	1/10000 (4536)
2000 (910)	14.9 (4.5)	144 amps	2/8245 (3740)
4000 (1810)	11.2 (3.4)	215 amps	3/7014 (3181)
6000 (2720)	8.5 (2.6)	380 amps	4/6103 (2768)
8000 (3630)	6.5 (2.0)	353 amps	
10000 (4536)	4.8 (1.5)	409 amps	

[ZEON 10-S Operator's Manual](#)

[Synthetic Rope Installation Guide](#)

[ZEON 10-S Parts List](#)

[ZEON Rope Installation Video](#)

[Winching Techniques](#)

[Bumpers that accommodate ZEON](#)

ZEON

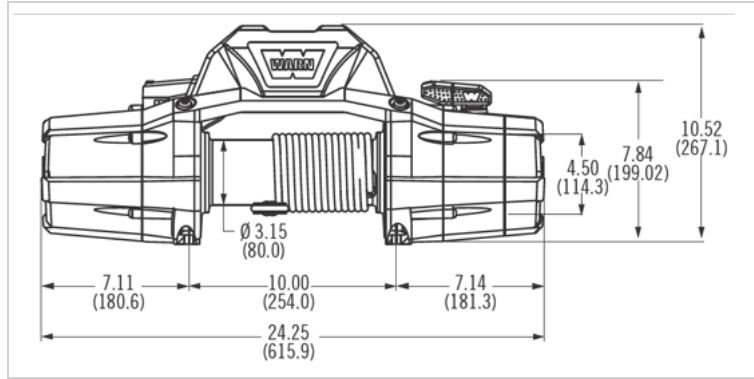
LIKE NOTHING YOU'VE EVER SEEN BEFORE

VIDEO / FEATURES

Medium-Duty Winching Accessory Kit

ZEON Control Relocation Kit

Above performance specs are based on first layer of drum



Winch Dimensions:

Integrated configuration: 24.25" L x 7.15" D x 10.52" H
(615.9mm L x 181.6mm D x 267.1mm H)
Low-profile configuration: 24.25" L x 7.15" D x 7.84" H
(615.9mm L x 181.6mm D x 199.02mm H)

Mounting Bolt Pattern: 10.0" x 4.5" (254mm x 114.3mm)

APPLICATIONS

- Truck/Jeep Off-Road
- Powersports Off-Road
- Hunting & Outdoors
- Adventure Touring/Motorcycle
- Utility & Construction
- Tow Trucks
- Fire & Rescue
- Original Equipment Manufacturer

RESOURCES

- Authorized Service Centers
- Patents
- Product Literature
- Product Registration
- Warranty Statements
- Sponsorship/Donation Requests
- Newsletter
- Site Map

COMPANY

- About Warn
- History
- Quality and Environmental Policy
- Conflict Minerals Policy
- Code of Business Conduct & Ethics
- Career Opportunities
- Press Releases
- Recalls/Safety Notifications
- Transparency in Supply Chains Disclosure

PARTNERS

- Become an Authorized Retailer
- Partners Site
- Red Letter Dealer Program
- Merchandising Items

Copyright Warn Industries, Inc All rights reserved. Legal Statement
Warn Industries, Inc. standard purchase order Terms and Conditions