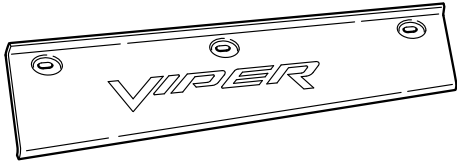




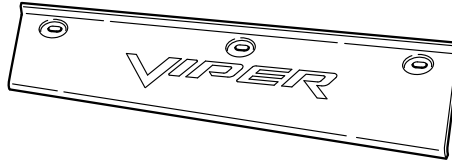
MOPAR®

DODGE VIPER COUPE/CONVERTIBLE

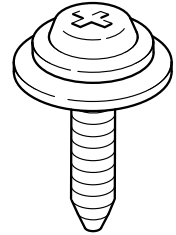
Scuff Plates



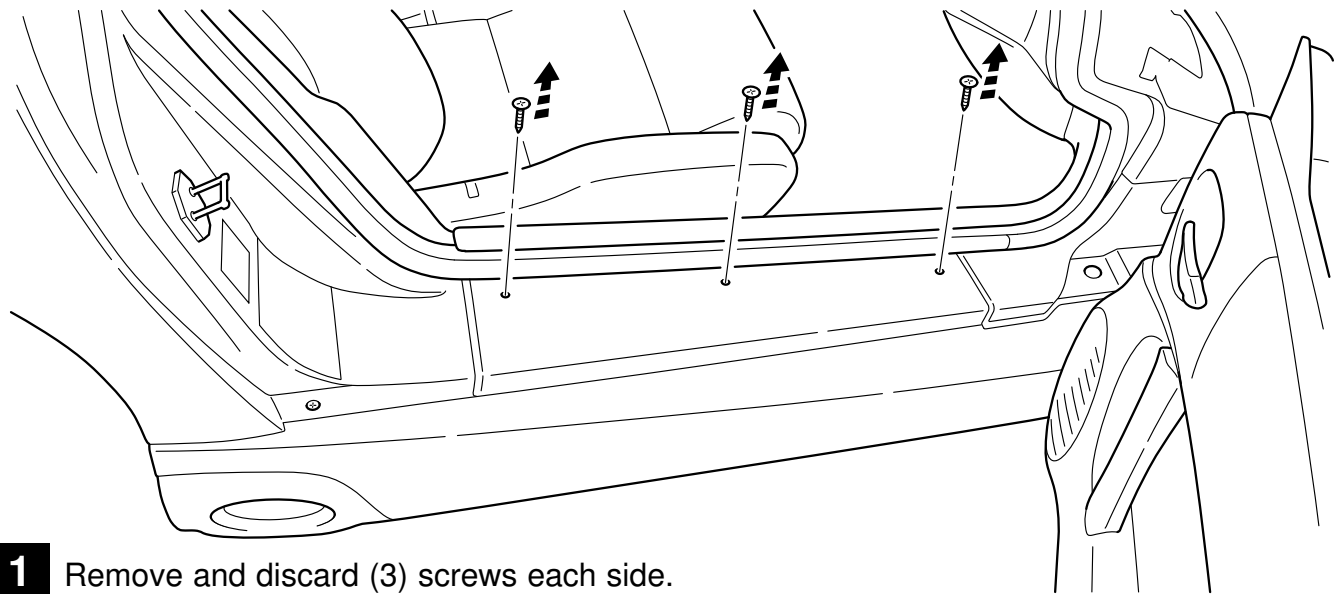
A **R**



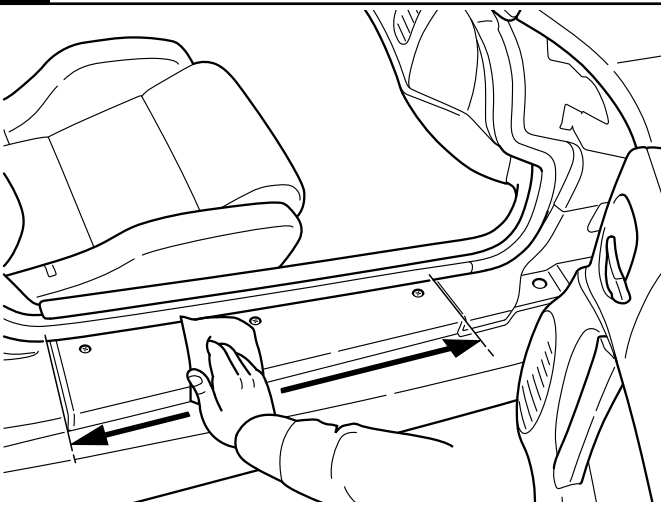
B **L**



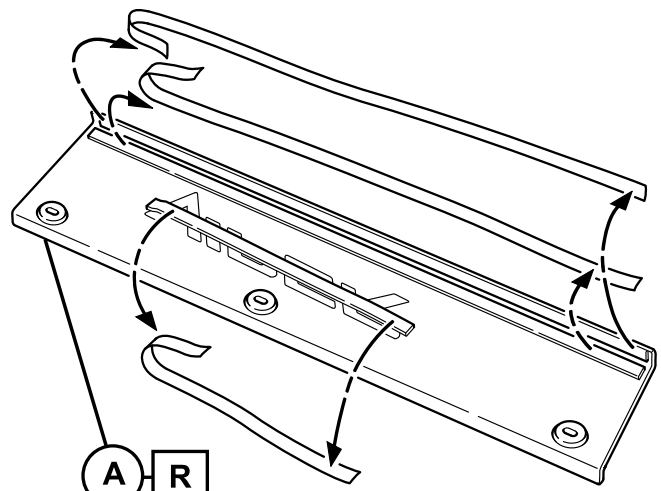
C **6x**



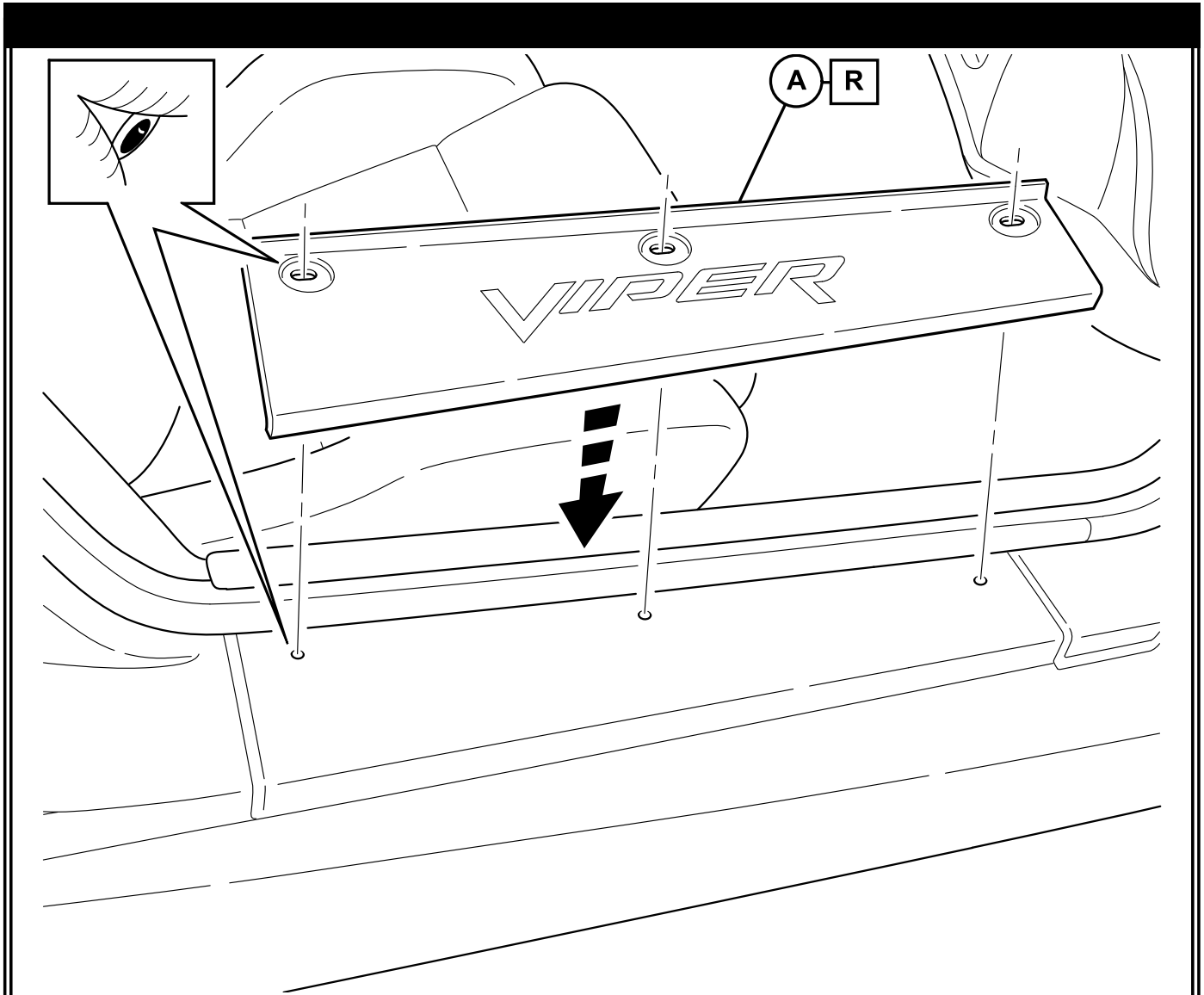
1 Remove and discard (3) screws each side.



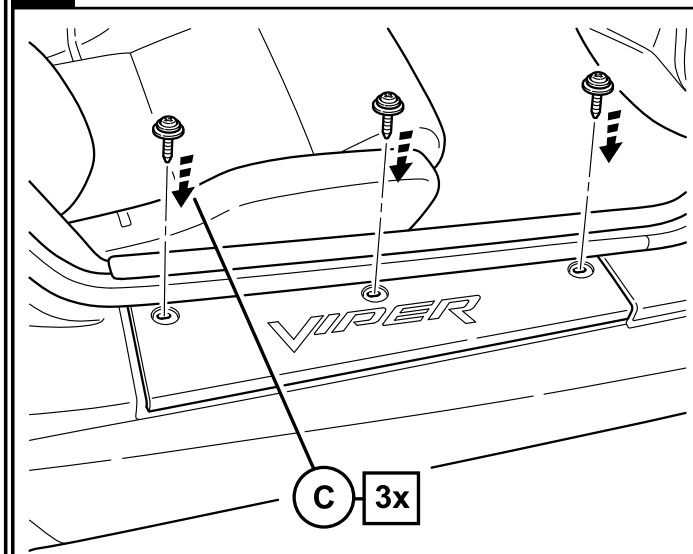
2 Clean left and right door sills, wait 5 minutes.



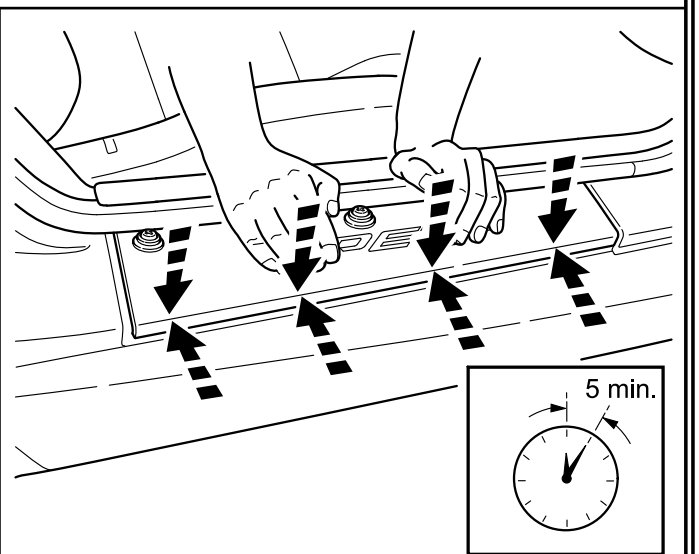
3 Remove backing from tape strips.



4 Position right scuff plate (Item A-R) onto right door sill. Align holes in scuff plate to those in the door sill.



5 Install supplied screws.



6 Apply pressure to engage tape.