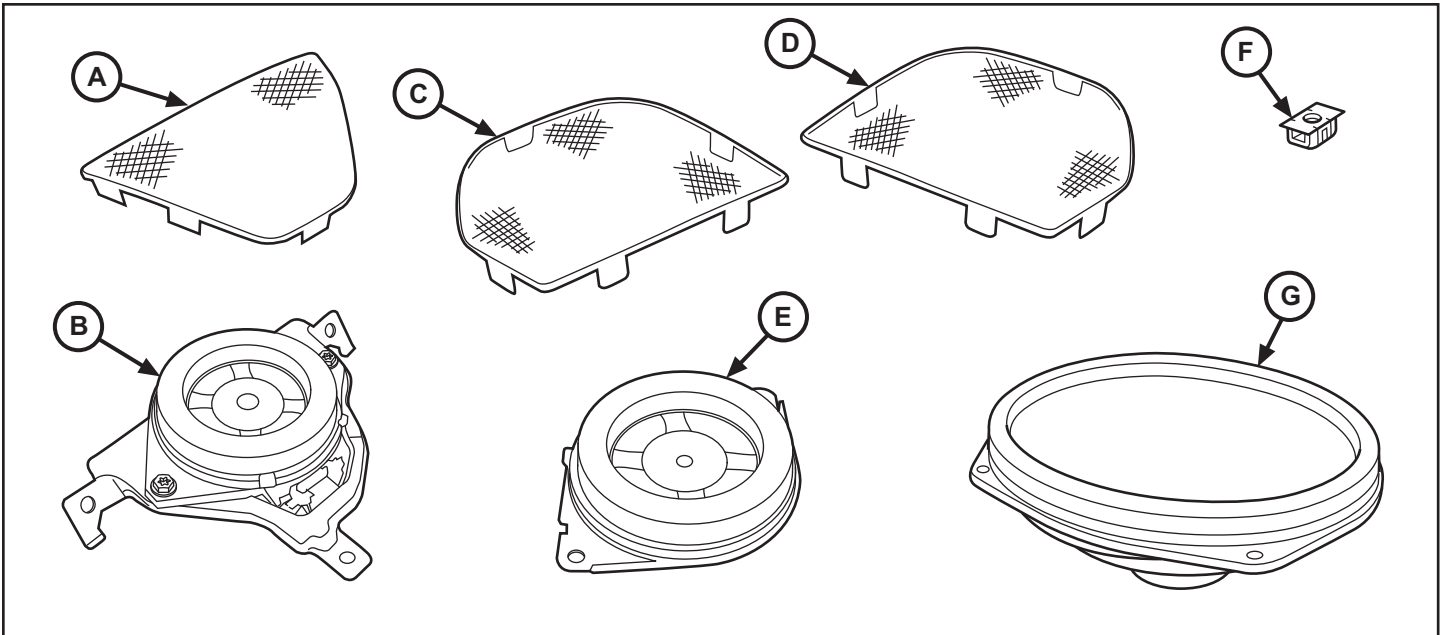




Speaker Upgrade

DODGE VIPER

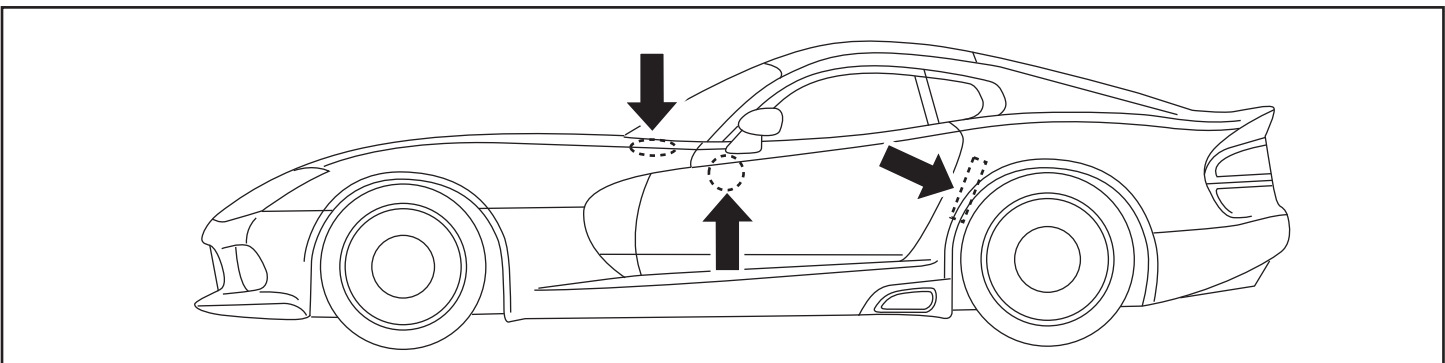


CALL OUT	DESCRIPTION	QUANTITY
A	Dash Speaker Screen	1
B	Dash Speaker	1
C	Driver Door Speaker Screen	1
D	Passenger Door Speaker Screen	1
E	Door Speaker	2
F	Clip Nut	4
G	Rear Speaker	3

TOOLS REQUIRED			
Socket Wrench	8mm Socket	T-25 Torx Bit	T-20 Torx Bit
Trim Stick		Phillips Screwdriver	

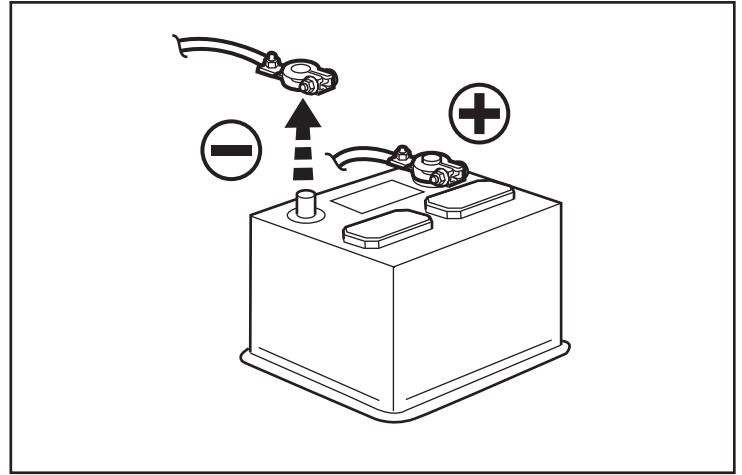
SPEAKER UPGRADE

1. Mounting locations shown.

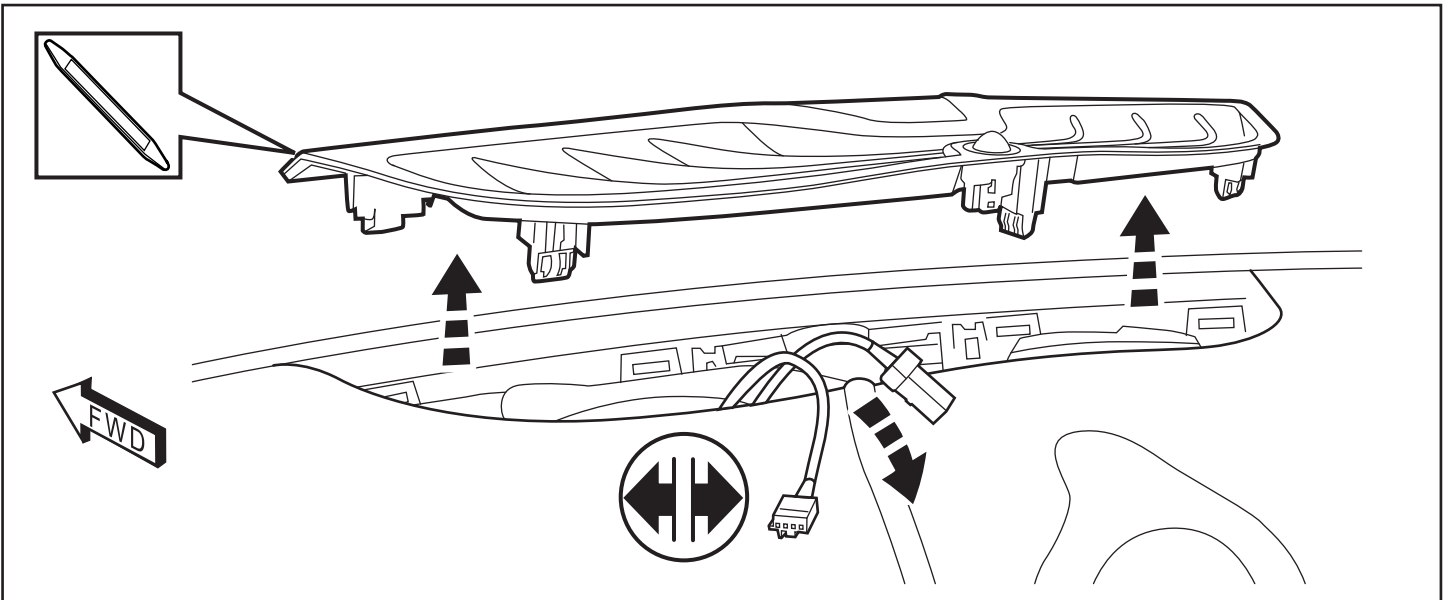


- Loosen one (1) 10mm bolt and disconnect negative battery cable.

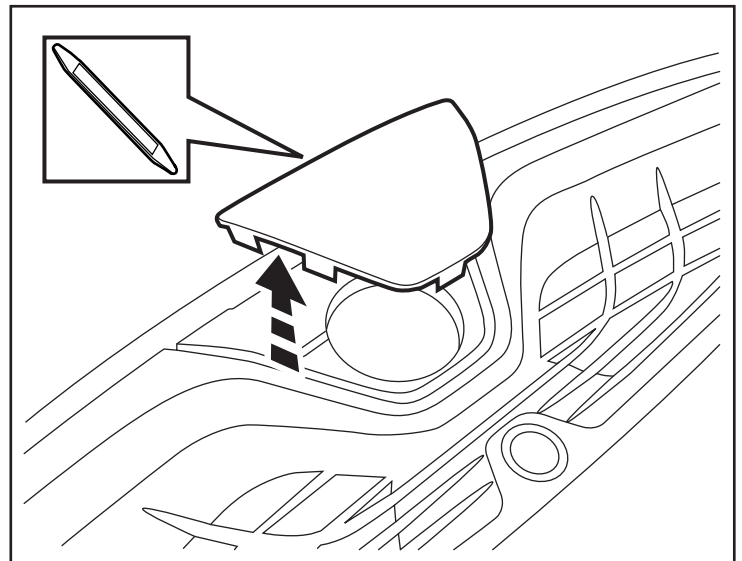
NOTE: Battery is located in rear of vehicle.



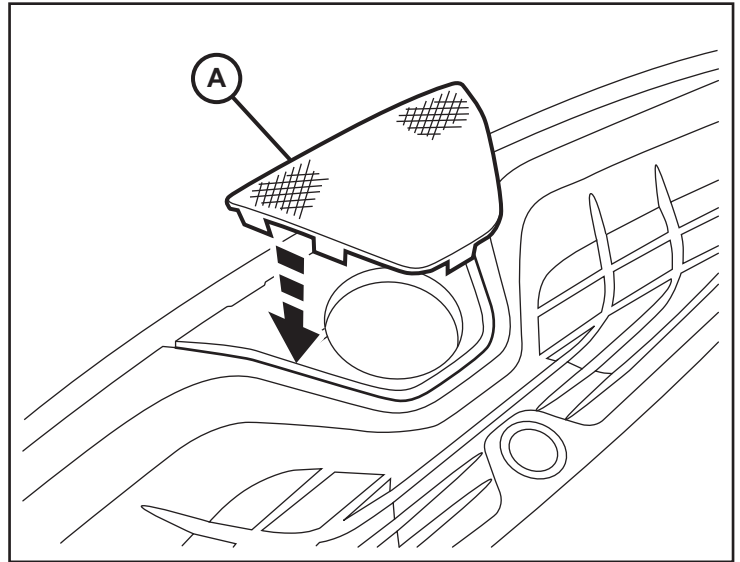
- At the front of the dashboard, carefully pry off the center cover panel. Disconnect one (1) sensor plug. Pull the existing speaker wire up and out for access.



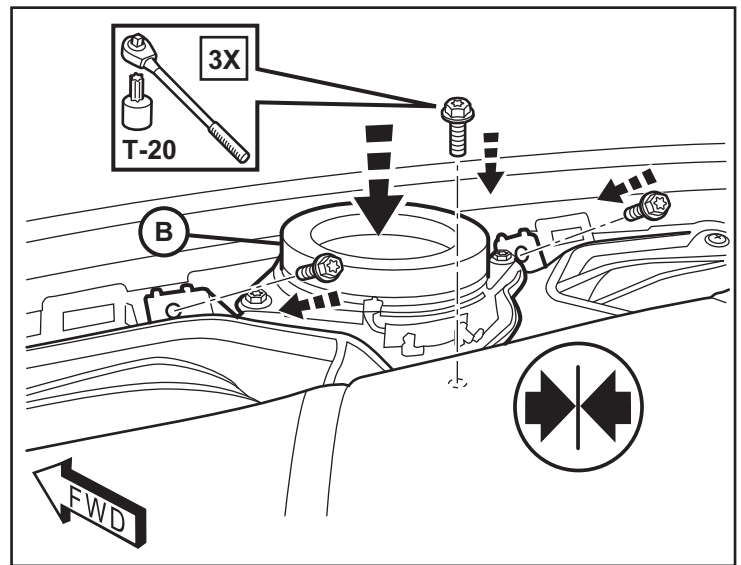
- Place the panel face down on a secure work surface. Bend the retainer tabs up at the back of the center cover panel. Flip the panel over and pry off the cover.



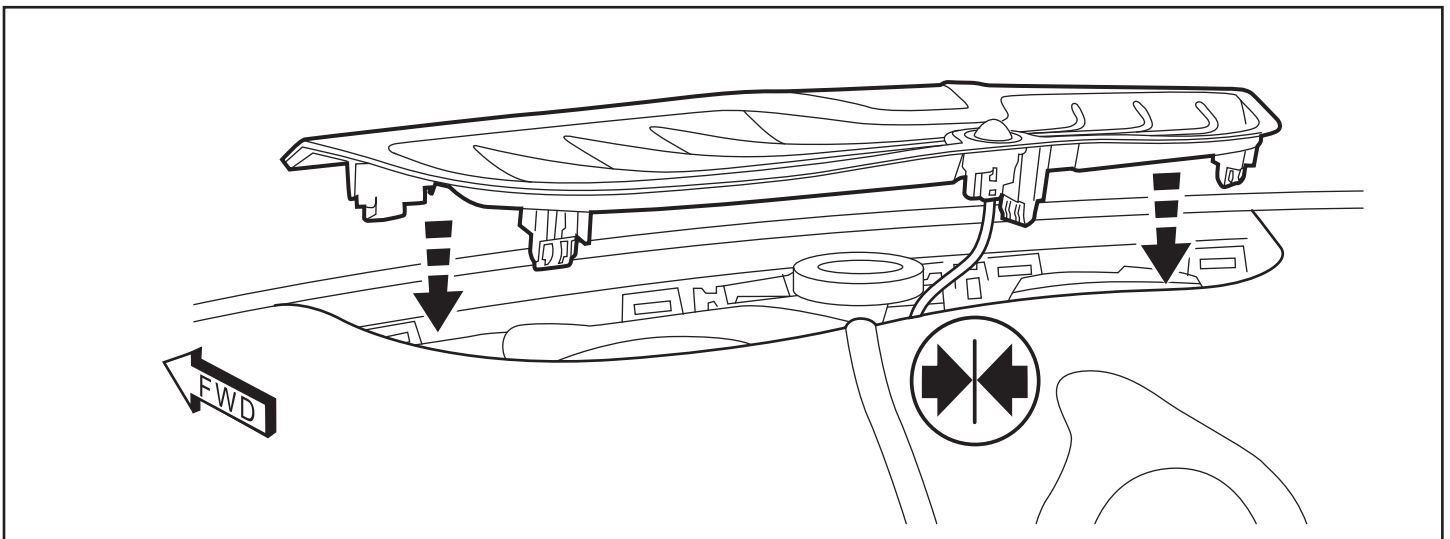
5. Insert the new speaker grill (A). Place the panel face down again and carefully bend the retainer tabs down to secure the grill.



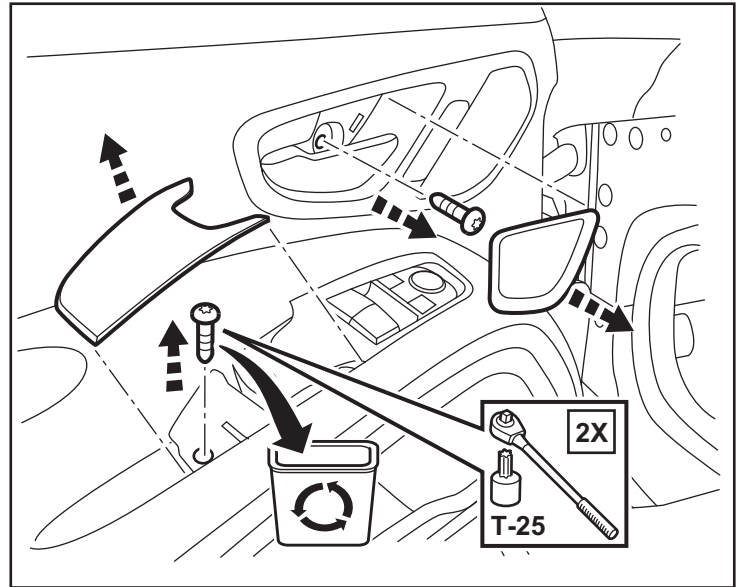
6. Connect the existing speaker wire and insert the new speaker (B) into place in the dash. Secure with three(3) T-20 Torx bolts.



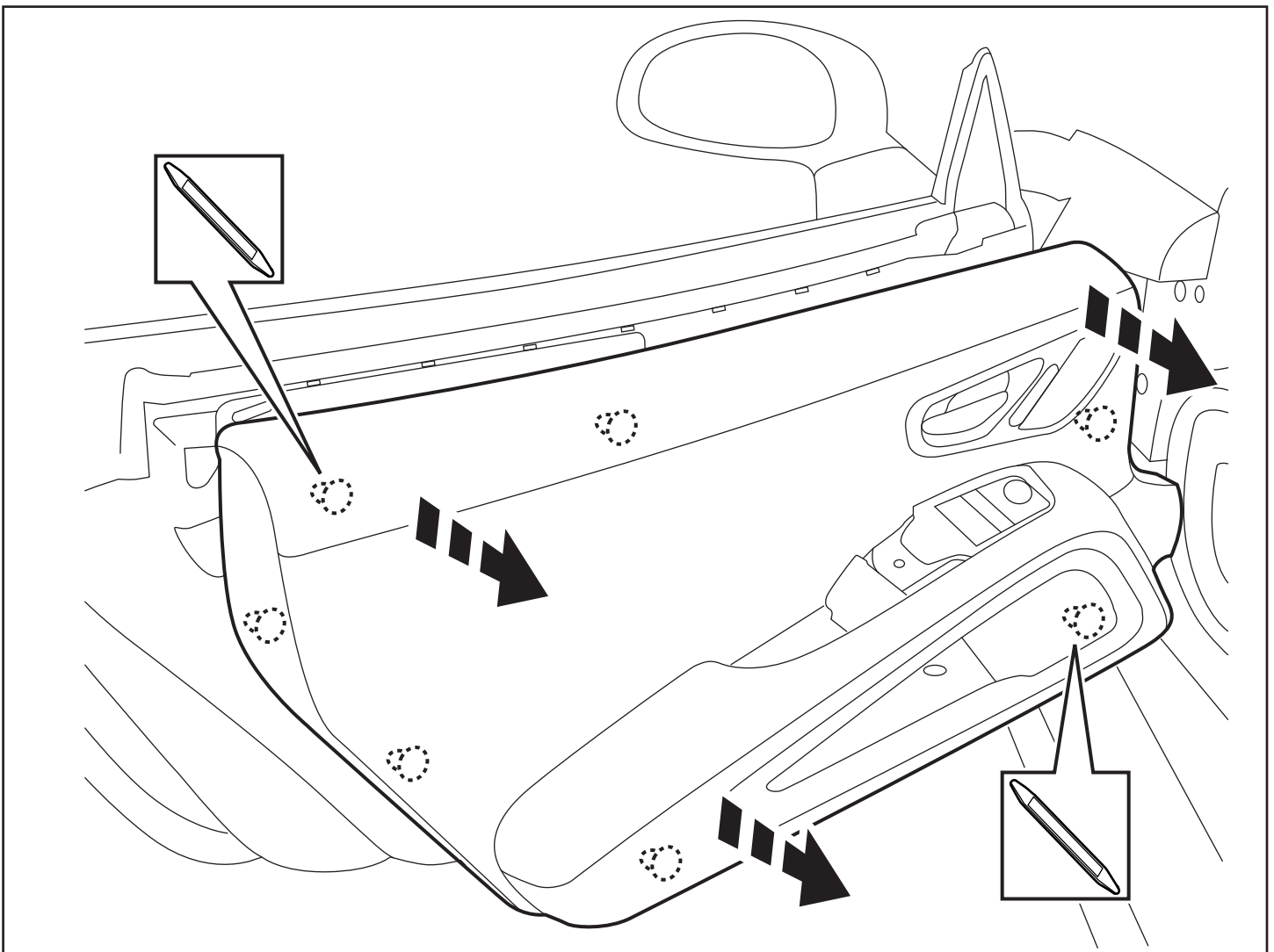
7. Reconnect the sensor plug and press the center cover panel back into place in the dash.



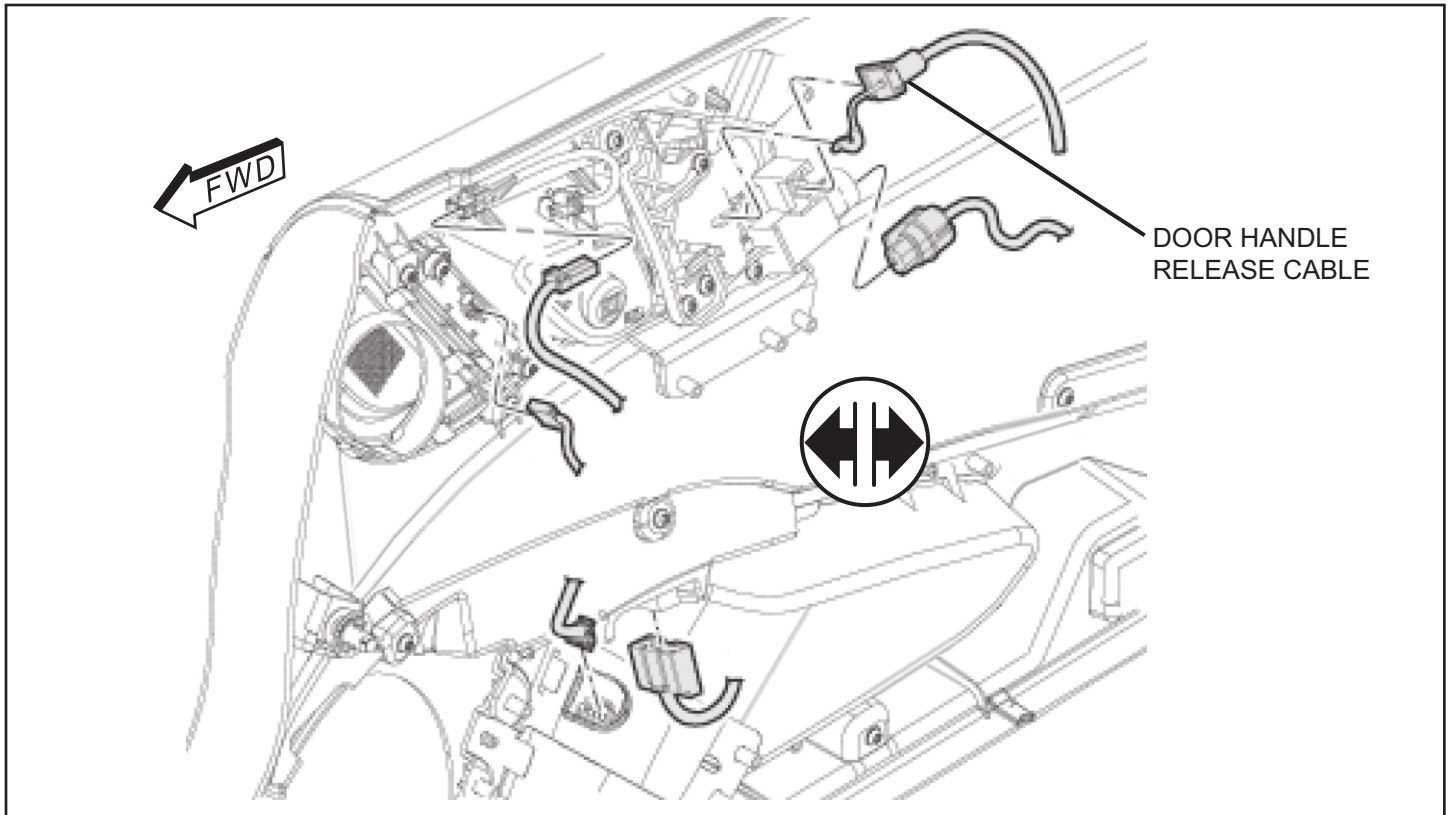
8. At the inside front of the door, pry off two (2) trim panels from the inside of the door handle and the armrest. Remove two (2) T-25 Torx screws.



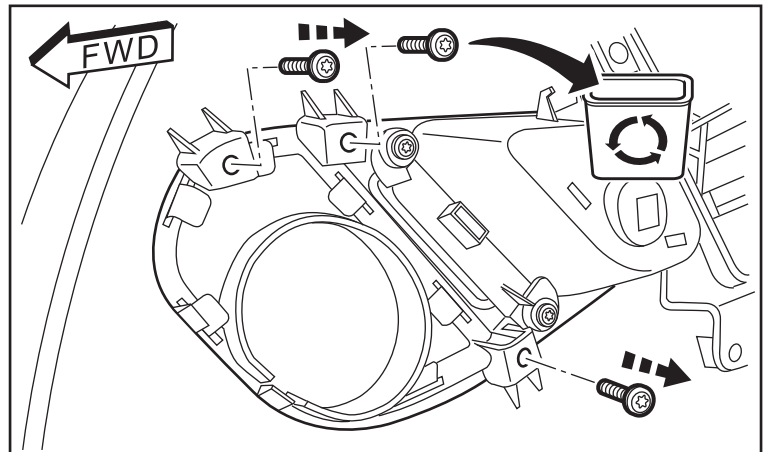
9. Carefully pry the inside trim panel away from the door by disengaging the retaining clips around the inside edges.



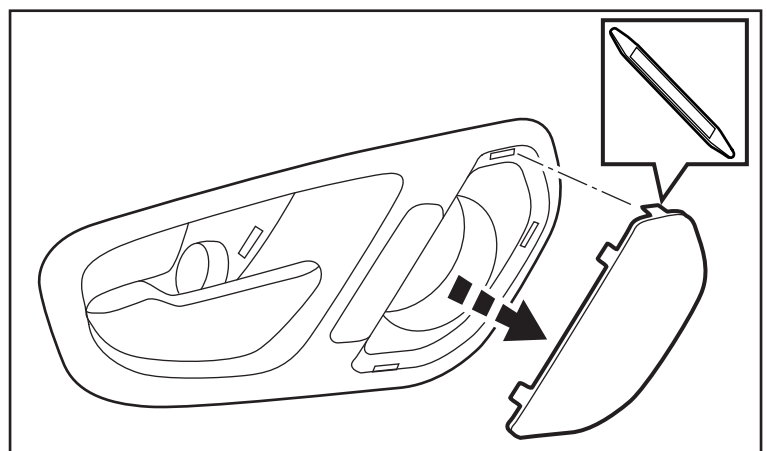
10. While holding the trim panel away from the door, disconnect all electrical connectors from the inside of the panel. Carefully disconnect the door handle release cable. Remove the door trim panel from the vehicle.



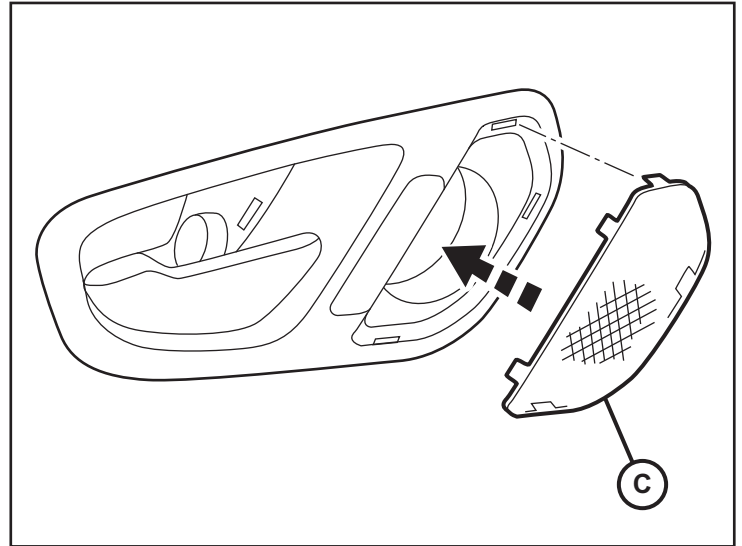
11. Remove the fasteners holding the door handle bezel from the inside of the door trim panel. Remove the door handle bezel.



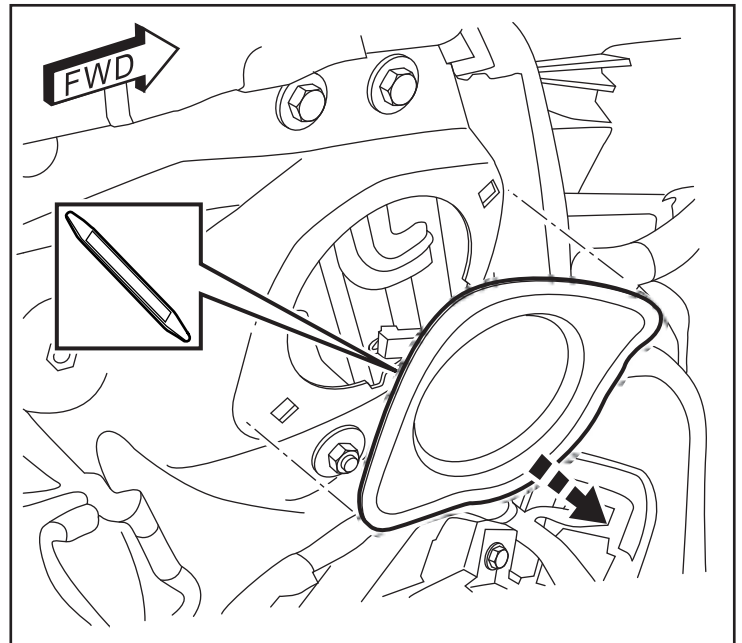
12. From the back of the door handle bezel, bend the retainer tabs up at the back of the speaker cover panel. Carefully pry off the cover.



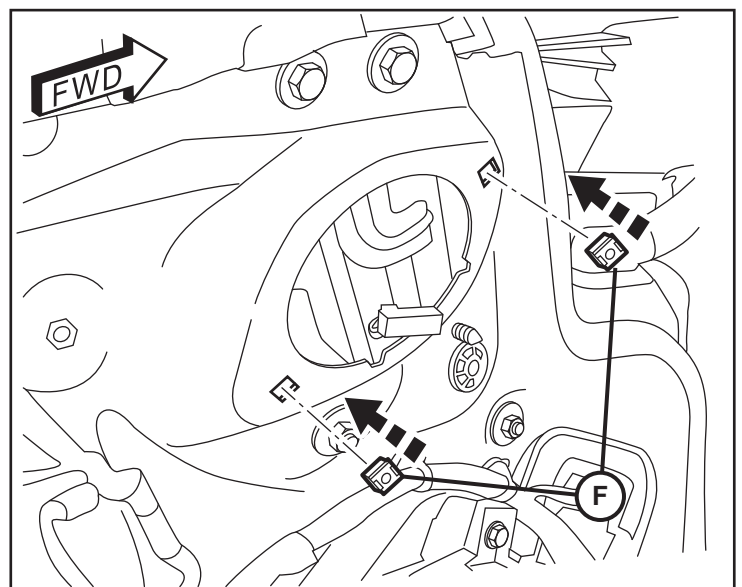
13. Insert the new speaker grill (C) into the door handle bezel. Carefully bend the retainer tabs down from behind to secure the grill.



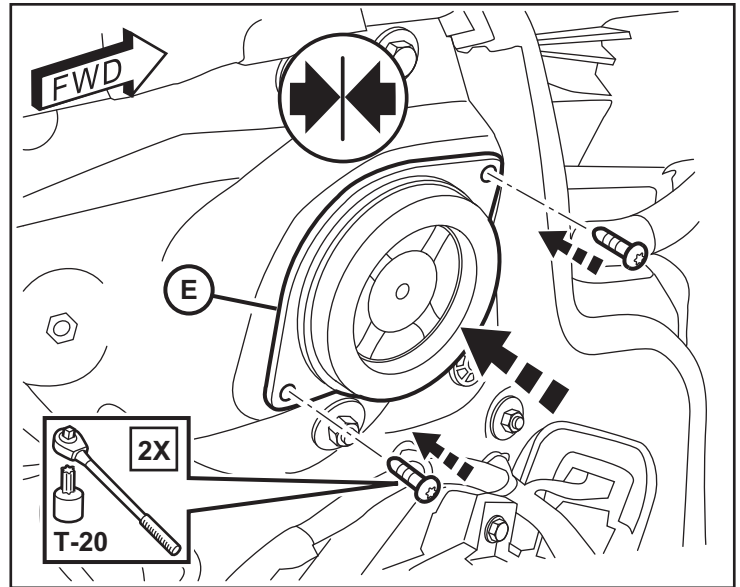
14. At the inside front of the door, pry off the white plastic panel that covers the speaker opening in the sheet metal. Pull out the existing speaker wire and remove the foam covering the plug.



15. Insert two (2) clip nuts (F) into the openings on either side of the speaker hole.



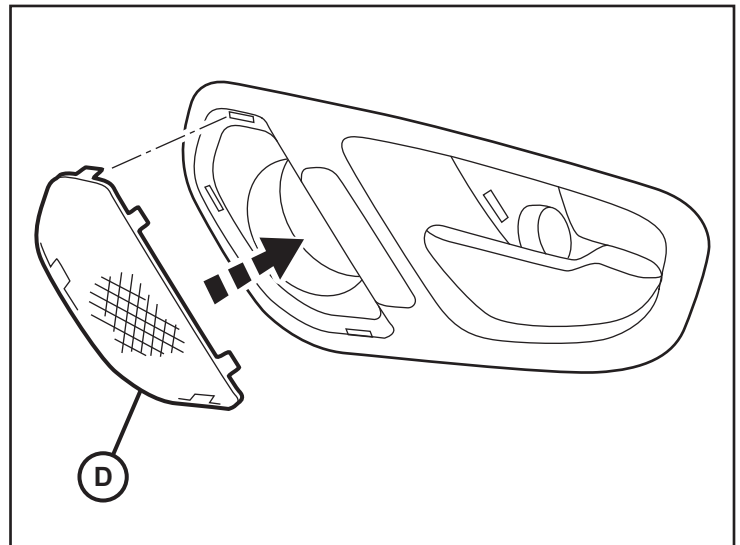
16. Connect the existing speaker wire and insert the new speaker (E) into place in the door. Secure with two (2) T-20 Torx bolts.



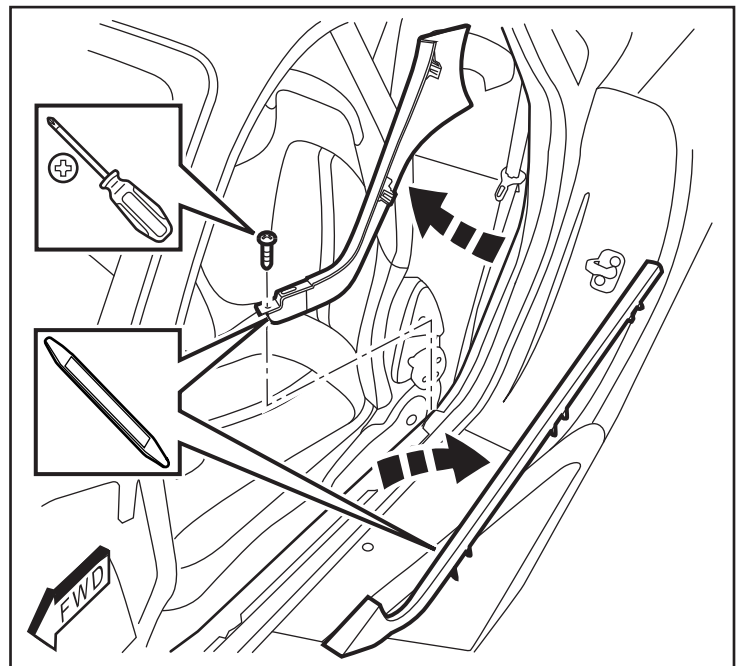
17. REVERSE STEPS 8 THROUGH 11 TO REINSTALL DOOR PANEL.

18. REPEAT STEPS 8 THROUGH 16 FOR PASSENGER SIDE DOOR.

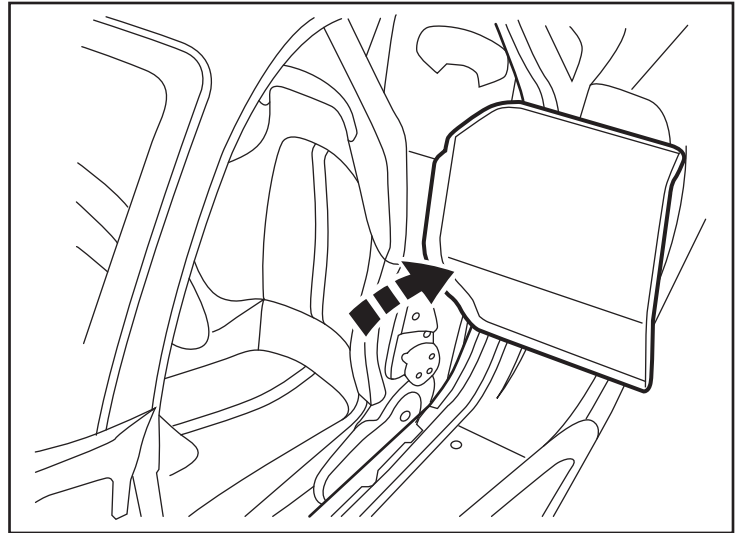
NOTE: Use speaker screen (D) for passenger side door.



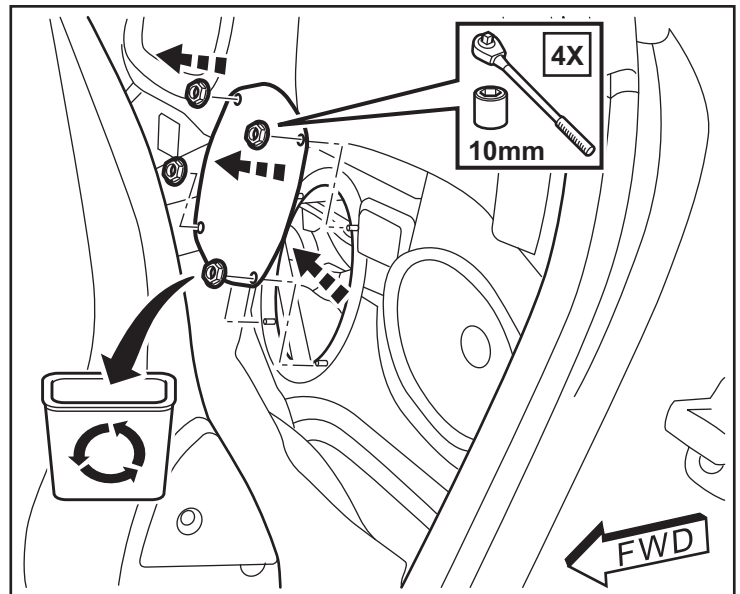
19. Carefully pry out the drive door sill trim panel. Remove one (1) phillips screw and pry off the outer trim panel behind the seat.



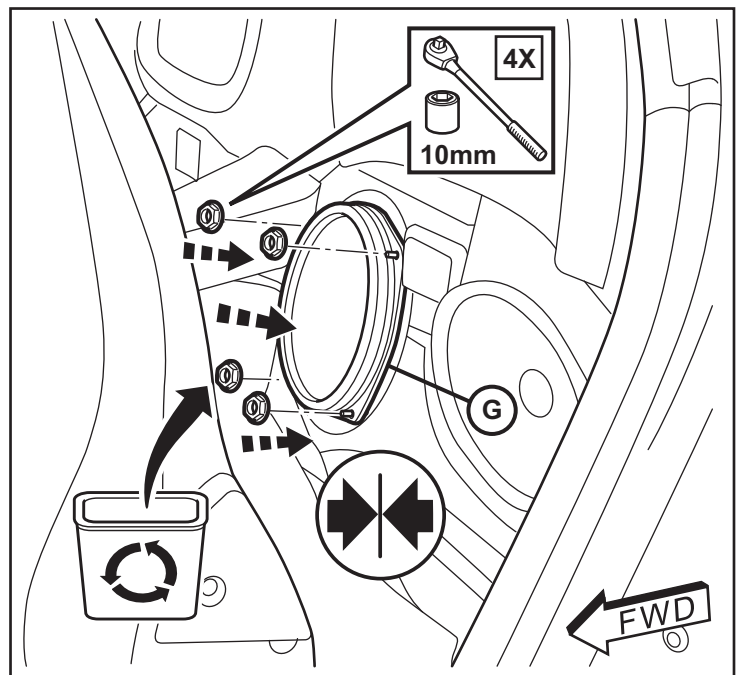
20. Remove the carpeted cover panel behind the seat.



21. Remove four (4) 8mm hex nuts from the speaker cover panel next to the center console. Remove the cover panel. Pull out the existing speaker wire and remove the foam covering the plug.

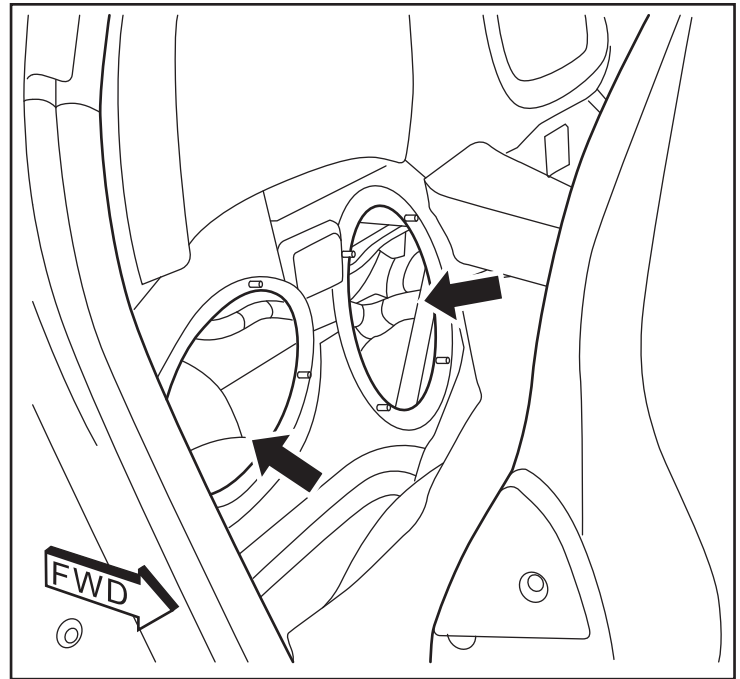


22. Connect the existing speaker wire and insert the new speaker (H) into place in the back panel. Secure with four (4) 8mm hex nuts.



23. **REPEAT STEPS 19 THROUGH 22 FOR PASSENGER SIDE SPEAKERS.**

NOTE: There will be two speaker locations to install behind passenger seat.



VIPER SPEAKER UPGRADE VEHICLE CONFIGURATION

Vehicle VIN must be updated with the sales code of the added accessory in order to enable system functionality. Using the DealerCONNECT website and the scan tool, complete the procedure below:

1. Log on to <https://dealerconnect.chrysler.com>
2. In the service tab, inside the Warranty Administration box, locate "Vehicle Option Updates." Enter the vehicle VIN and add the sales code RCA (18 speaker SRT high performance audio) as a "Dealer Installed Option".
3. Confirm that the new sales code has been successfully added to the VIN.

With the scan tool connected to both the internet (via Ethernet port or wireless connection) and the vehicle, follow the steps below:

4. Using the scan tool select the VEHICLE PREPARATION and then select RESTORE VEHICLE CONFIGURATION.
5. Follow the step by step instructions on the scan tool to complete the 18 speaker SRT high performance audio install.