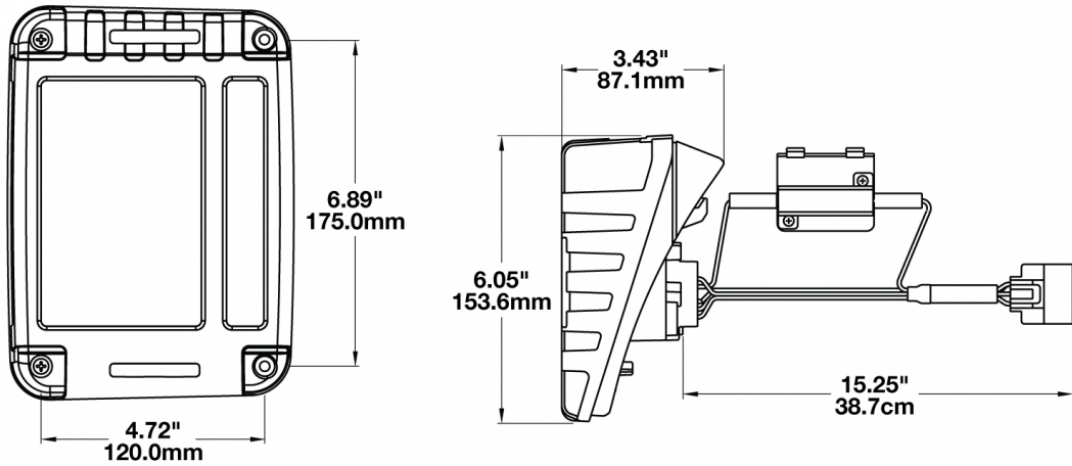




**PRODUCT INFORMATION**

<b>Description</b>	12-24V DOT LED Jeep Tail Light Kit - 2 Light Kit
<b>Height</b>	210.31 (mm) / 8.28 (in)
<b>Width</b>	153.67 (mm) / 6.05 (in)
<b>Depth</b>	87.12 (mm) / 3.43 (in)
<b>Shape</b>	Rectangular
<b>Outer Lens Material</b>	Acrylic
<b>Outer Lens Color</b>	Clear
<b>Housing Material</b>	PC
<b>Housing Color</b>	Black
<b>Bezel Color</b>	Black
<b>Mounting Hardware Description</b>	(x4) #8-16 x 2 Pan Head, Self Tapping Plastite Screw
<b>Connector or Wiring</b>	YAZAKI 7287-2779-30
<b>Mating Connector</b>	YAZAKI 7282-5553-30

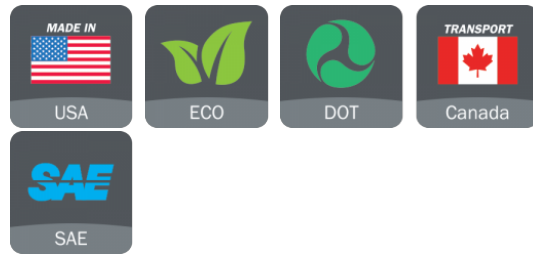
**PRODUCT DIMENSIONS**



### ELECTRICAL SPECIFICATIONS

<b>Input Voltage</b>	12-24 V DC
<b>Operating Voltage</b>	9-32 V DC
<b>Black Wire</b>	Ground
<b>Purple Wire</b>	Tail
<b>Yellow Wire</b>	Stop
<b>Green Wire</b>	Reverse
<b>Current Draw</b>	0.37A @ 12V DC (Stop/Turn) 0.22A @ 24V DC (Stop/Turn) 0.10A @ 12V DC (Tail) 0.089A @ 24V DC (Tail) 0.13A @ 12V DC (Reverse) 0.10A @ 24V DC (Reverse)

### REGULATORY STANDARDS COMPLIANCE



Buy America Standards  
FMVSS 108 Table IX  
FMVSS 108 Table VIII  
FMVSS 108 Table XII  
SAE J585  
SAE J588

Eco Friendly  
FMVSS 108 Table VII  
FMVSS 108 Table X  
FMVSS 108 Table XVI  
SAE J586  
SAE J592

### PHOTOMETRIC SPECIFICATIONS

<b>Beam Pattern(s)</b>	Signalization - Stop Signalization - Tail Signalization - Turn (Rear)
------------------------	---

### APPLICATIONS

