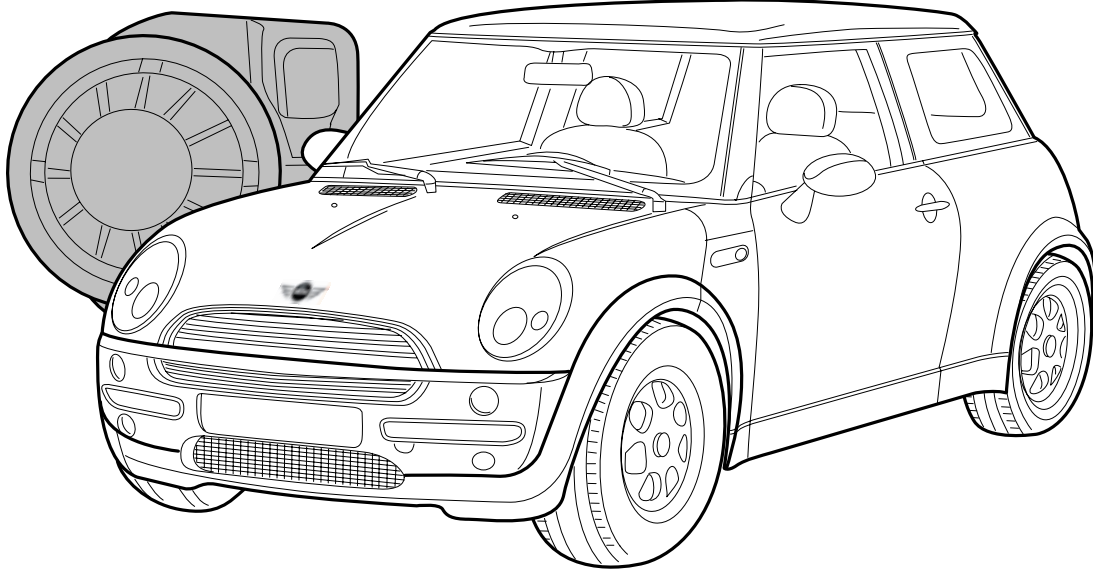




Parts and Accessories Installation Instructions



050 0042 B

Alarm system retrofit kit MINI (R50/R53) LHD and RHD

Technical and electrical knowledge required

Installation time approx. 3 -4 hours, which can vary according to the condition of the car and the equipment in it.

Retrofit kit 65 75 0 029 310 (LHD)
 65 75 0 139 732 (RHD)

Contents

Section	Page
1. Important information for the installation of the alarm system	3
2. Preparations	4
3. Parts list	5
4. LHD connection diagram	6
5. RHD connection diagram	7
6. Installation and cabling diagram (LHD cars)	8
7. Installation and cabling diagram (RHD cars)	9
8. To install the ultrasonic sensor in the headlining in cars with a sunroof	10
9. To install the ultrasonic sensor in the headlining in cars without a sunroof	11
10. To install the alarm system connection cable (LHD cars)	13
11. Coding and concluding work	18
12. Function test	19
13. Circuit diagram	20

1. Important information for the installation of the alarm system

Only for use in the MINI dealer organisation.

The alarm system wiring harness may only be installed by a specialist workshop that has the required special tools and manuals (servicing, repair, diagnostics, etc.).

Ensure that the cables/lines are not kinked or damaged as you install them in the car. Additional cables/lines that you install must be secured with cable ties/textile adhesive tape.

Item numbers refer only to the overview drawings and to the texts next to the appropriate figure.

The alarm system connection cable A is only required for LHD cars, the alarm system connection cable B is only required for RHD cars.

Subject to technical modifications

Required tools and equipment

Set of Allen keys

Set of Torx sockets

1/4 inch socket set

Set of 1/2 inch socket wrenches

Cable lamp

Set of flat screwdrivers

Cable lamp

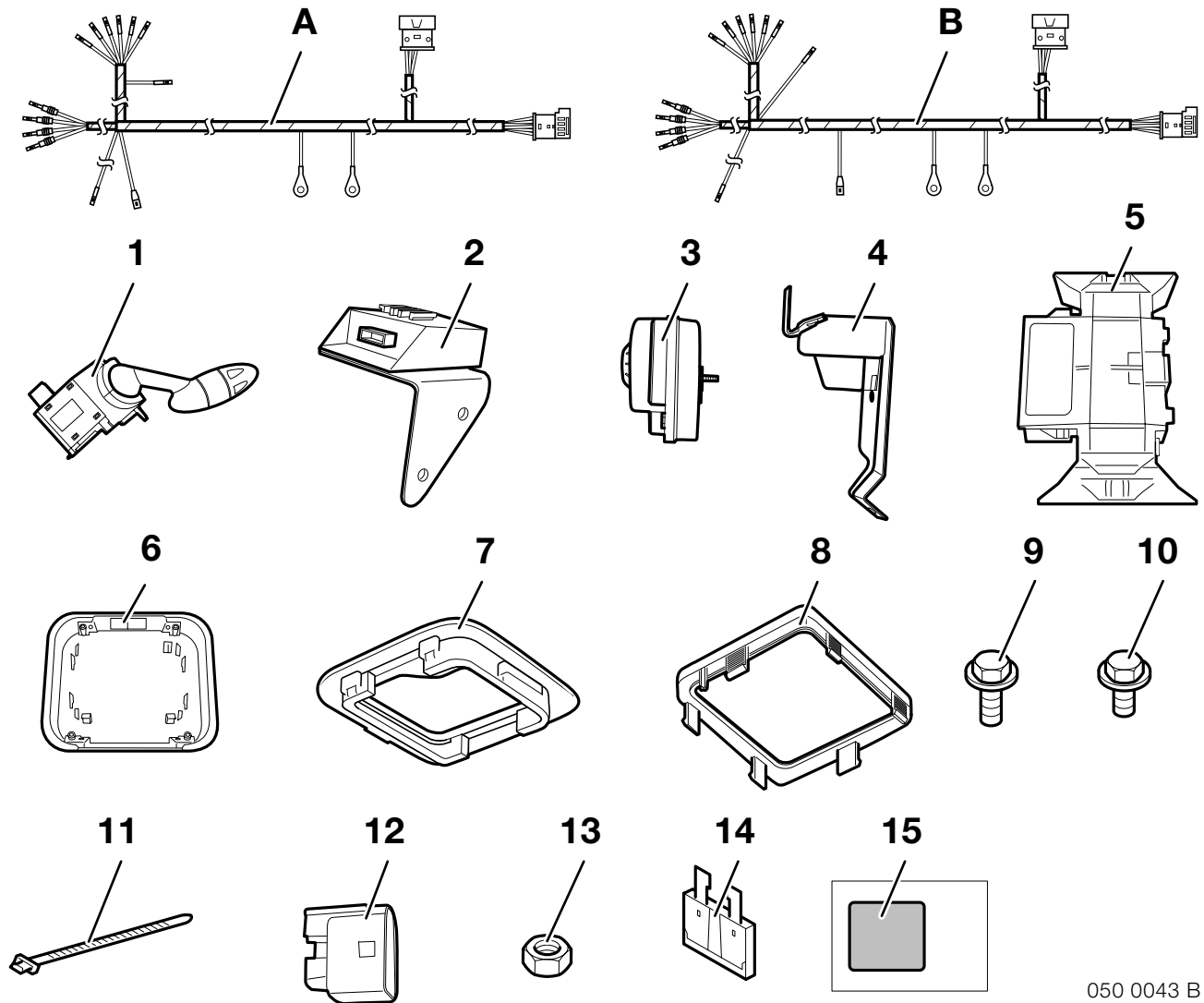
Angle cutter

Carpet knife

2. Preparations

	TIS instruction No.
Print out error memory	---
Disconnect the battery	12 00 ...
Remove the rear seat bench	---
Remove the rear seat backrest	---
Remove the side trim at the rear left	---
Remove the door sill strips on both sides	---
Remove the C pillar covers on both sides	---
Remove the B pillar trims on both sides	---
Remove the SHD frame at the front and rear	---
Remove the handles at the rear left and right	---
Remove the ceiling light at the rear	---
Release the rear headlining	---
Remove the cover on the instrument panel	---
Remove oddments box on the driver's side	---
Remove the tachograph	---
Remove the steering column trims at the top and bottom	---
Remove the wiper switch	---
Release the fuse holder	---

3. Parts list

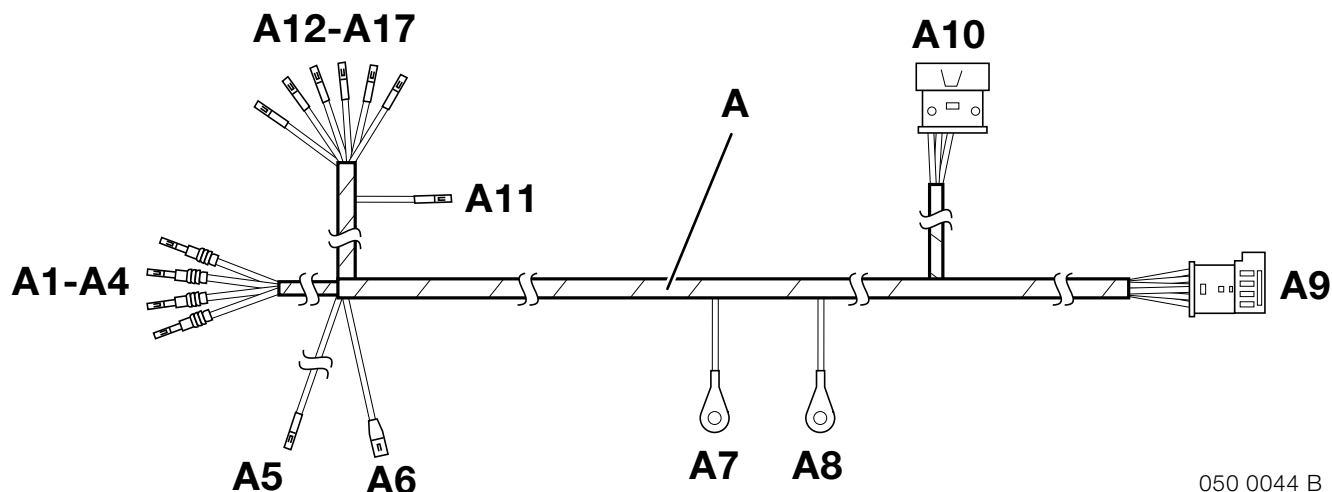


050 0043 B

Legend

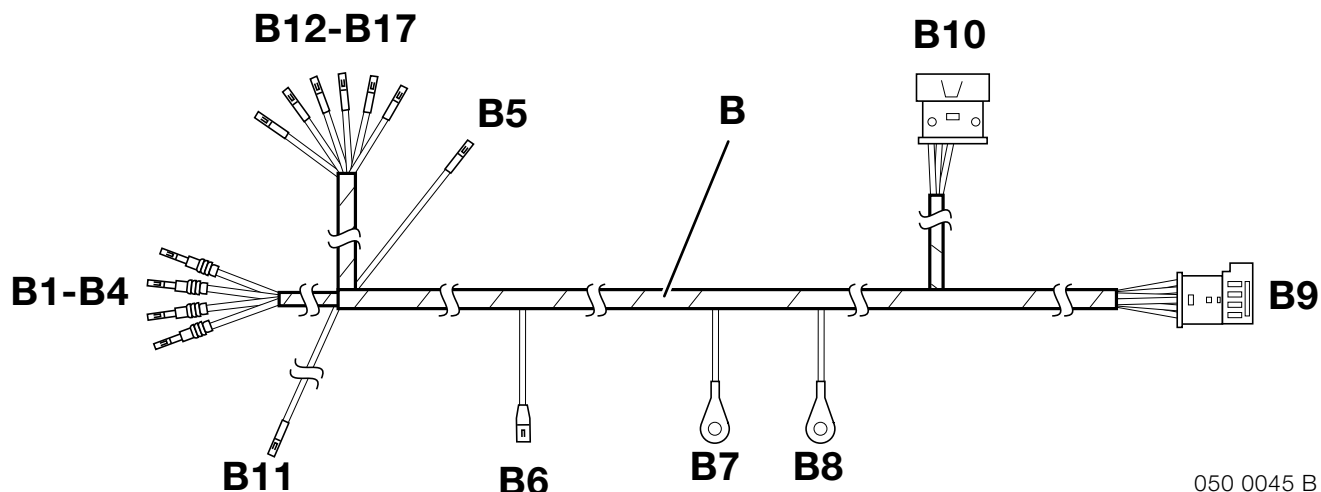
- A Alarm system connection cable (LHD cars)
- B Alarm system connection cable (RHD cars)
- 1 Wiper switch
- 2 Tilt alarm sensor
- 3 Emergency-current siren
- 4 Emergency-current siren holder
- 5 Ultrasonic module
- 6 Ultrasonic interior guard trim (must be ordered separately)
- 7 Bottom ultrasonic module holder
- 8 Top ultrasonic module holder
- 9 Hexagonal screw M6x16 (2x)
- 10 Hexagonal screw with washer M6x12
- 11 Cable tie (20x)
- 12 Black 4-pin plug for the alarm system siren (required for the alarm system siren)
- 13 Hexagonal nut M6 (2x)
- 14 5 A fuse
- 15 Template (supplied with the parts kit)

4. LHD connection diagram



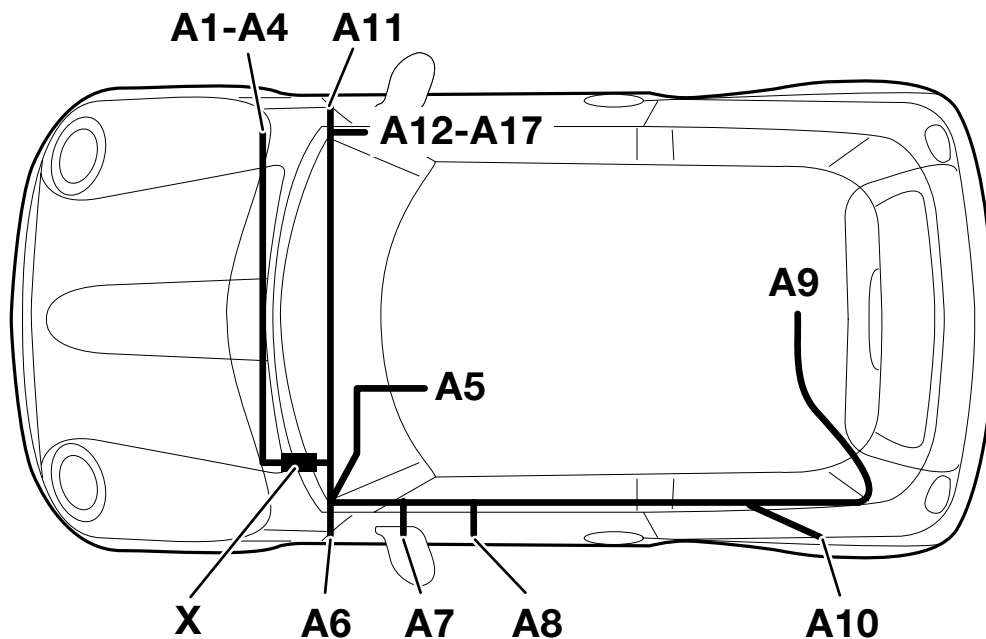
Item	Description	Signal	Cable colour / Cross-section	Connection location in the car	Abbreviation / Slot
A	Alarm system connection cable (LHD cars)	---	---	---	---
A1	Blade terminal contact	Terminal 31L	BR	To alarm system siren	X19562, PIN1
A2	Blade terminal contact	STDWA	SW/RT/GE	To alarm system siren	X19562, PIN2
A3	Blade terminal contact	Terminal 30	RT/SW/GE	To alarm system siren	X19562, PIN3
A4	Blade terminal contact	Siren	SW/BL/WS	To alarm system siren	X19562, PIN4
A5	Blade terminal contact	DWAL	GR/SW/GE	To wiper switch socket casing	X10692, PIN9
A6	Blade terminal contact	Terminal 30	RT/SW/GE	Fuse holder input XVII	X110207, PIN11
A7	Cable eyelet	Terminal 31L	BR	To earth post left	X1108
A8	Cable eyelet	Terminal 31E	BR/SW	To E earth post left	X13230
A9	Black 4-pin socket casing	---	---	To radio interior guard	X1582
A10	Black 6-pin socket casing	---	---	To DWA tilt sensor at the rear left	X1222
A11	Blade terminal contact	DWAL	GR/SW/GE	Base module on socket casing D	X255, PIN14
A12	Blade terminal contact	Siren	SW/BL/WS	Base module on socket casing B	X253, PIN11
A13	Blade terminal contact	Terminal 30	SW/GE	Base module on socket casing B	X253, PIN15
A14	Blade terminal contact	DWA12V	RT/SW	Base module on socket casing B	X253, PIN16
A15	Blade terminal contact	STDWA	SW/RT/GE	Base module on socket casing B	X253, PIN27
A16	Blade terminal contact	NG	SW/BL	Base module on socket casing B	X253, PIN30
A17	Blade terminal contact	DWA12V	SW/RT	Base module on socket casing B	X253, PIN34

5. RHD connection diagram



Item	Description	Signal	Cable colour / Cross-section	Connection location in the car	Abbreviation / Slot
B	Alarm system connection cable (LHD cars)	---	---	---	---
B1	Blade terminal contact	Terminal 31L	BR	To alarm system siren	X19562, PIN1
B2	Blade terminal contact	STDWA	SW/RT/GE	To alarm system siren	X19562, PIN2
B3	Blade terminal contact	Terminal 30	RT/SW/GE	To alarm system siren	X19562, PIN3
B4	Blade terminal contact	Siren	SW/BL/WS	To alarm system siren	X19562, PIN4
B5	Blade terminal contact	DWAL	GR/SW/GE	To base module socket casing D	X255, PIN14
B6	Blade terminal contact	Terminal 30	RT/SW/GE	Fuse holder input XVII	X110207, PIN11
B7	Cable eyelet	Terminal 31L	BR	To earth post left	X1108
B8	Cable eyelet	Terminal 31E	BR/SW	To E earth post left	X13230
B9	Black 4-pin socket casing	---	---	To radio interior guard	X1582
B10	Black 6-pin socket casing	---	---	To DWA tilt sensor at the rear left	X1222
B11	Blade terminal contact	DWAL	GR/SW/GE	To wiper switch plug	X10692, PIN9
B12	Blade terminal contact	Siren	SW/BL/WS	To base module socket casing B	X253, PIN11
B13	Blade terminal contact	Terminal 30	SW/GE	To base module socket casing B	X253, PIN15
B14	Blade terminal contact	DWA12V	RT/SW	To base module socket casing B	X253, PIN16
B15	Blade terminal contact	STDWA	SW/RT/GE	To base module socket casing B	X253, PIN27
B16	Blade terminal contact	NG	SW/BL	To base module socket casing B	X253, PIN30
B17	Blade terminal contact	DWA12V	SW/RT	To base module socket casing B	X253, PIN34

6. Installation and cabling diagram (LHD cars)



050 0046 B

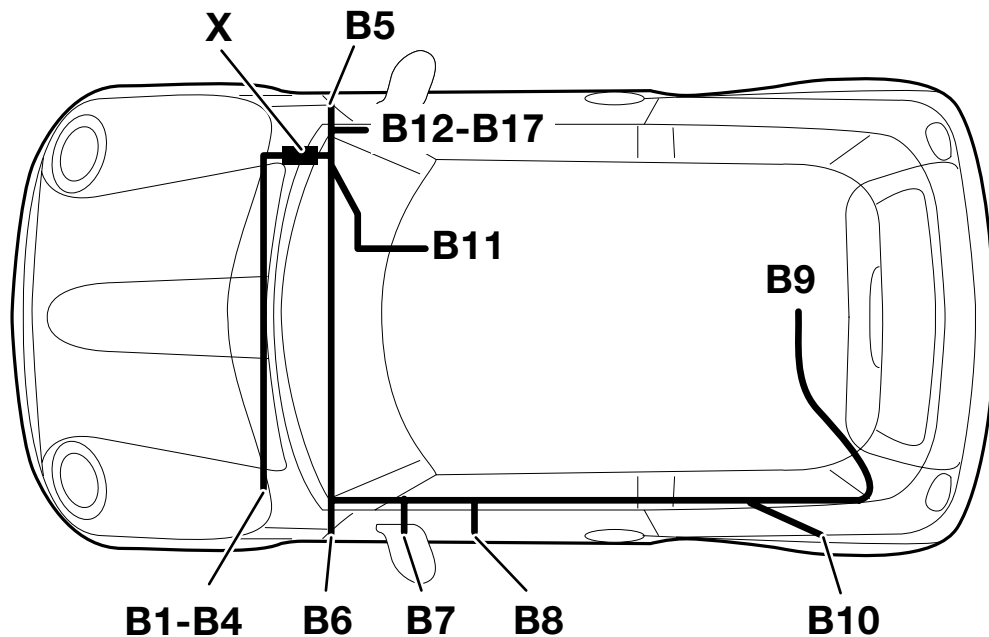
All the wiring harnesses are to be laid along the main wiring harness as shown in the figure and secured with cable ties.

Alarm system wiring harness

- Branches **A1-A4** to alarm system siren
- Branch **A5** to wiper switch socket casing X10692
- Branch **A6** to fuse holder plug X10207
- Branch **A7** to left earth post X1108
- Branch **A8** to left E earth post X13230
- Branch **A9** to radio interior guard
- Branch **A10** to the tilt sensor at the rear left
- Branch **A11** to base module D socket casing X255
- Branches **A12-A17** to base module B socket casing X253
- Point **X** cable passage at the rubber grommet on the driver's side branches **A1-A4**

Tie back any excess lengths.

7 Installation and cabling diagram (RHD cars)



050 0047 B

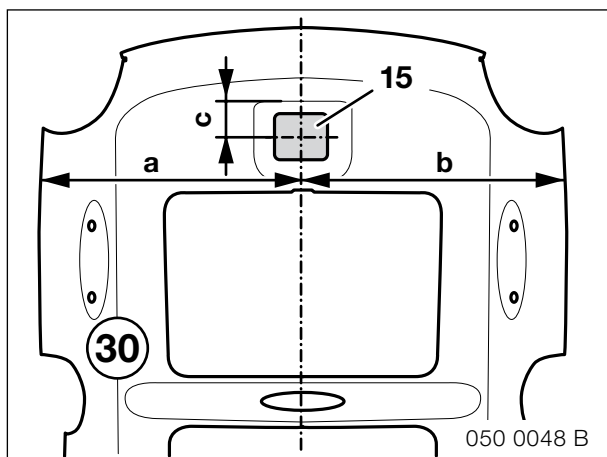
All the wiring harnesses are to be laid along the main wiring harness as shown in the figure and secured with cable ties.

Alarm system wiring harness

- Branches **B1-B4** to alarm system siren
- Branch **B5** to base module D socket casing X255
- Branch **B6** to fuse holder plug X10207
- Branch **B7** to left earth post X1108
- Branch **B8** to left E earth post X13230
- Branch **B9** to radio interior guard
- Branch **B10** to the tilt sensor at the rear left
- Branch **B11** to wiper switch socket casing X10692
- Branches **B12-B17** to base module B socket casing X253
- Point **X** cable passage at the rubber grommet on the driver's side branches **B1-B4**

Tie back any excess lengths.

8. To install the ultrasonic sensor in the headlining in cars with a sunroof



▶ Place the template (15) on the raised area in the centre of the headlining (30). ◀

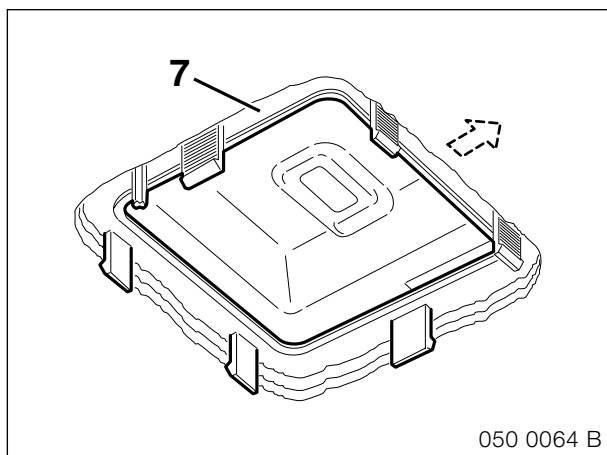
Dimension **a** = 560mm

Dimension **b** = 560mm

Dimension **c** = 75mm

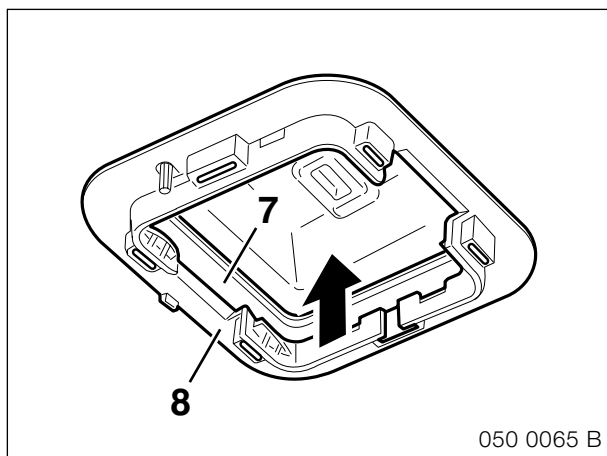
Affix the template and cut it out with a carpet knife.

▶ Refer to the direction of the arrow. ◀



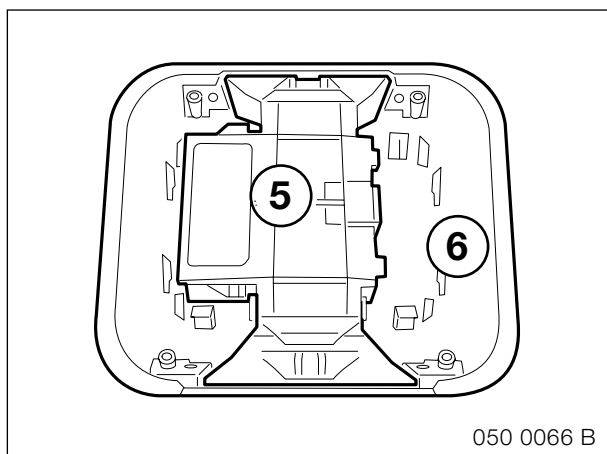
▶ Ensure that you install it in the correct direction, the arrow on the top of the installation frame must point to the front of the car. ◀

Insert the top section of the installation frame (7) into the cut-out in the headlining from above.



▶ Ensure that you install it in the correct direction, the arrow on the bottom of the installation frame (8) must point to the front of the car. ◀

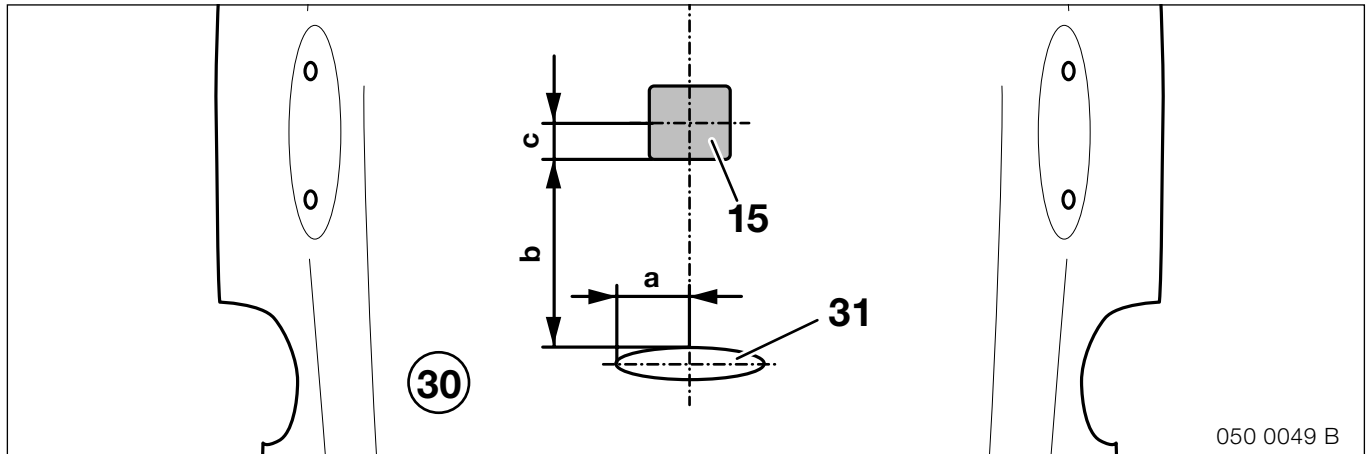
Lock the installation frame (8) inserted from the bottom to the top section (7).



▶ The arrows on the ultrasonic module (5) and the cover (6) must point to the front of the car. ◀

Clip the ultrasonic module (5) into the cover (6).

9. To install the ultrasonic sensor in the headlining in cars without a sunroof



▶ Headlining (30) with a recess for the ceiling light (31). ◀

▶ Place the template (15) in the centre. ◀

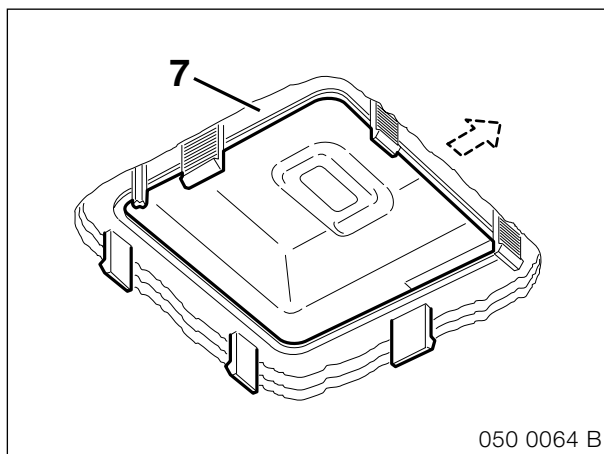
Dimension **a** = 95mm

Dimension **b** = 235mm

Dimension **c** = 50mm

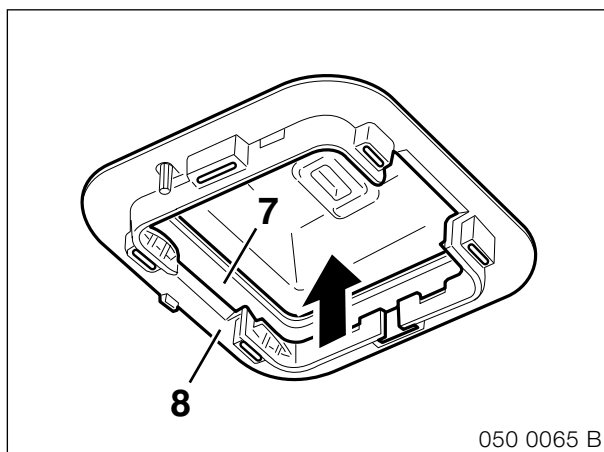
Affix the template and cut it out with a carpet knife.

▶ Refer to the direction of the arrow. ◀



▶ Ensure that you install it in the correct direction, the arrow on the top of the installation frame must point to the front of the car. ◀

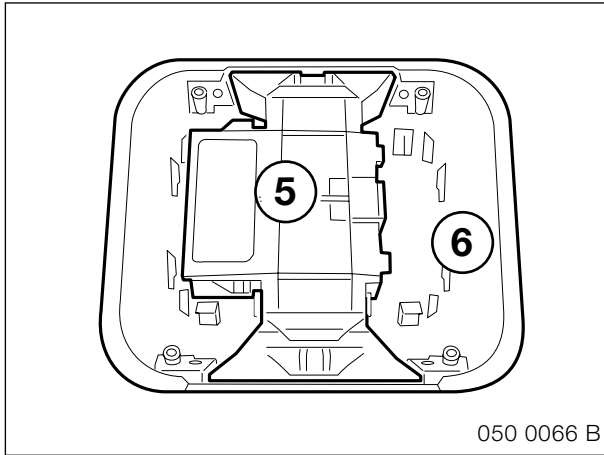
Insert the top section of the installation frame (7) into the cut-out in the headlining from above.




▶ Ensure that you install it in the correct direction, the arrow on the bottom of the installation frame (8) must point to the front of the car. ◀

Lock the installation frame (8) inserted from the bottom to the top section (7).

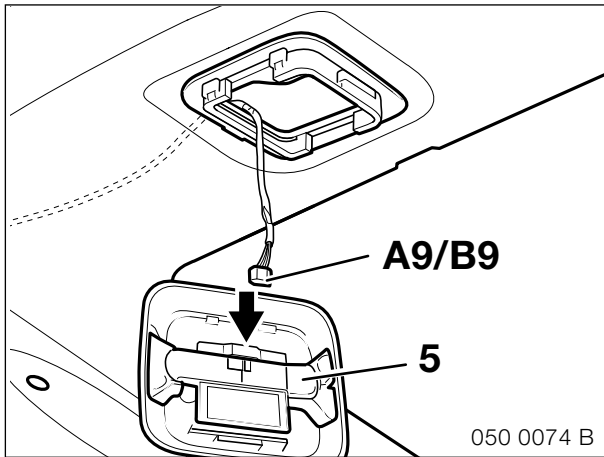
9. To install the ultrasonic sensor in the headlining in cars without a sunroof



 The arrows on the ultrasonic module (5) and the cover (6) must point to the front of the car. ◀

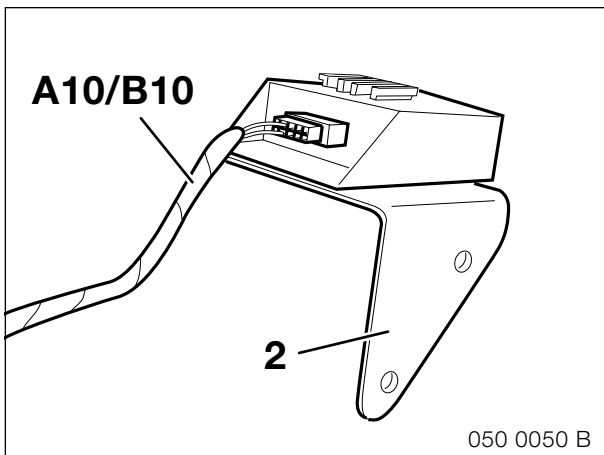
Clip the ultrasonic module (5) into the cover (6).

10. To install the alarm system connection cable (LHD cars)

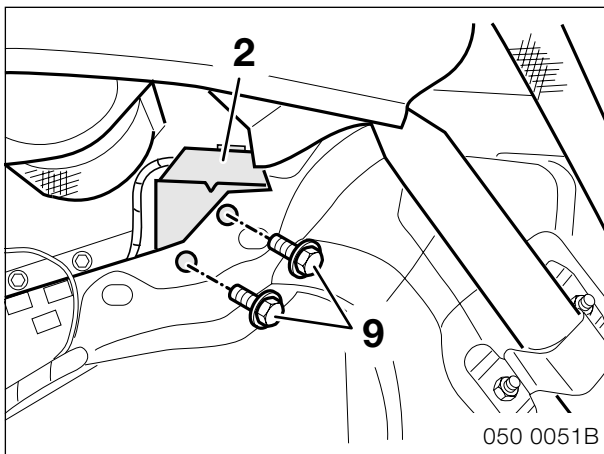



Branch **A9/B9** comes from the tilt alarm sensor installation site and is laid along the left C pillar upwards to the ultrasonic module (5). Connect branch **A9/B9** black 4-pin plug to the ultrasonic module (5).

 Check the installation direction. ◀

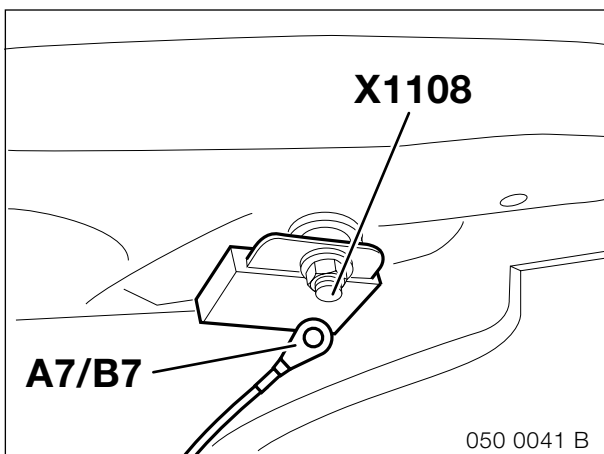


Connect branch **A10/B10** black 6-pin socket casing to the tilt alarm sensor (2).



 Rear left near the tail light. ◀

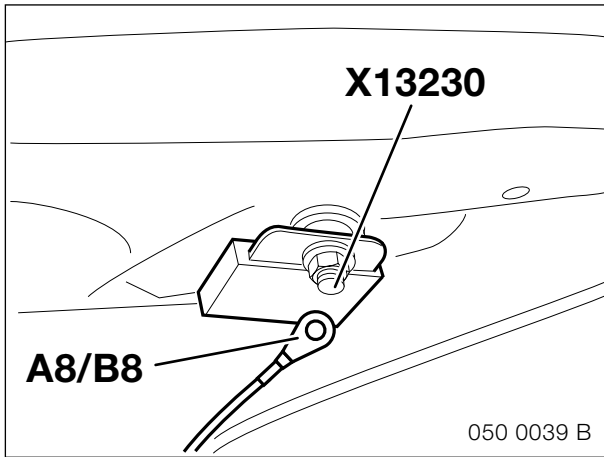
Secure the tilt alarm sensor (2) with two hexagonal screws M6x16 (9).



 Left side skirt. ◀

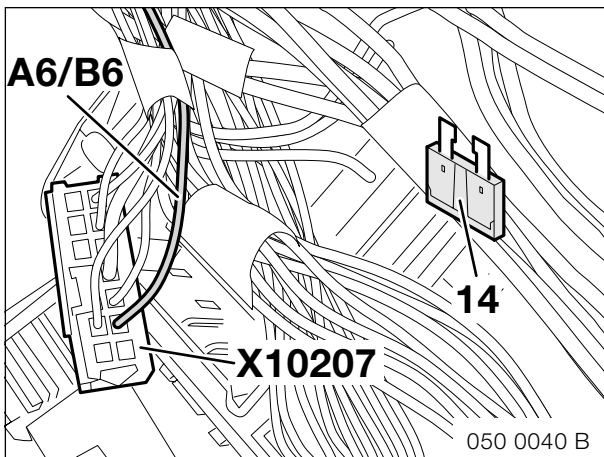
Secure the cable eyelet **A7/B7** to the earth bolt **X1108**.

10. To install the alarm system connection cable (LHD cars)



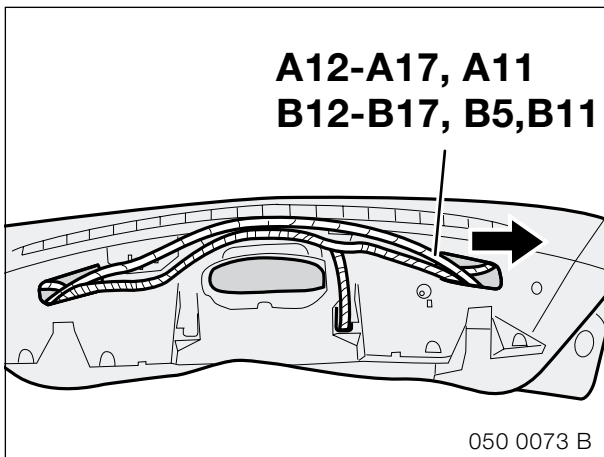
▶ Left side skirt. ◀

Secure the cable eyelet **A8/B8** to the E earth bolt **X13230**.



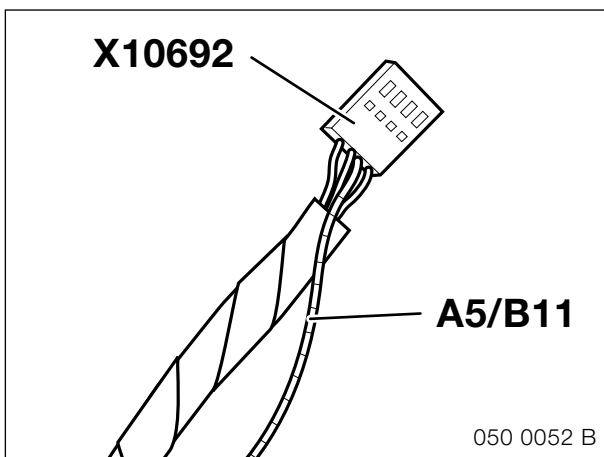
▶ Fuse holder on the A pillar at the left. ◀

Connect the violet 12-pin fuse holder socket casing **X10207** branch **A6/B6**, blade terminal contact, red/black/yellow cable, to **PIN11**. Check that there is a fuse in fuse slot F24. If not insert a 5 A fuse (14).



▶ Plan view of dashboard. ◀

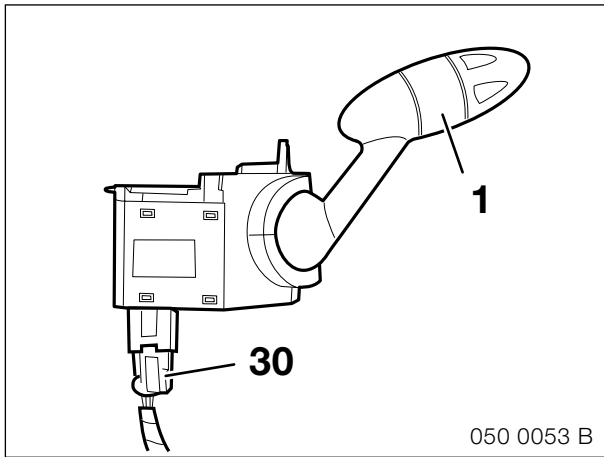
Lay branches **A12-A17, A11/B12-B17, B5** along the standard wiring harness above the dashboard.



▶ Wiper switch connection plug. ◀

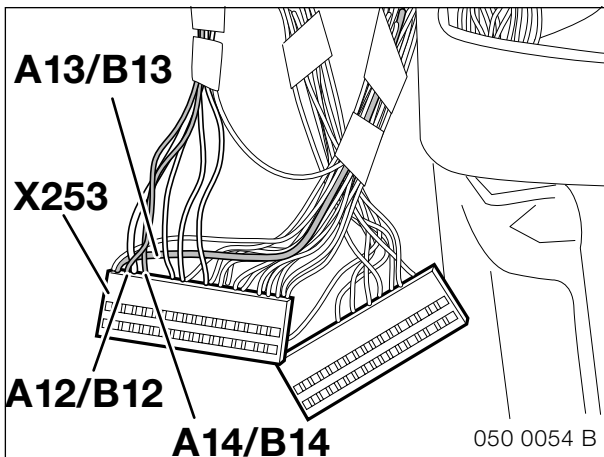
Connect the black 10-pin wiper socket casing **X10692** branch **A5/B11**, blade terminal contact, grey/black/yellow cable, to **PIN9**.

10. To install the alarm system connection cable (LHD cars)



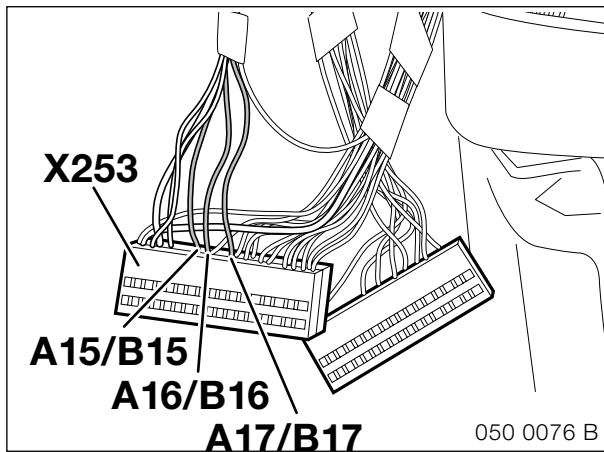
Install the new wiper switch (1).
Connect the black 10-pin wiper switch socket casing (30).

▶ The removed wiper switch is no longer required. ◀



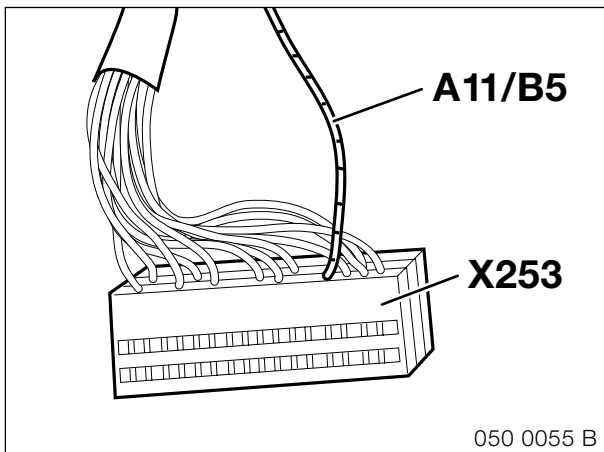
▶ Base module on the right A pillar. ◀

To the black 54-pin socket casing **X253** from base module B. Connect branch **A12/B12**, blade terminal contact, black/blue/white cable, to **PIN11**.
Connect branch **A13/B13**, blade terminal contact, black/yellow cable, to **PIN15**.
Connect branch **A14/B14**, blade terminal contact, red/black cable, to **PIN16**.



▶ Base module on the right A pillar. ◀

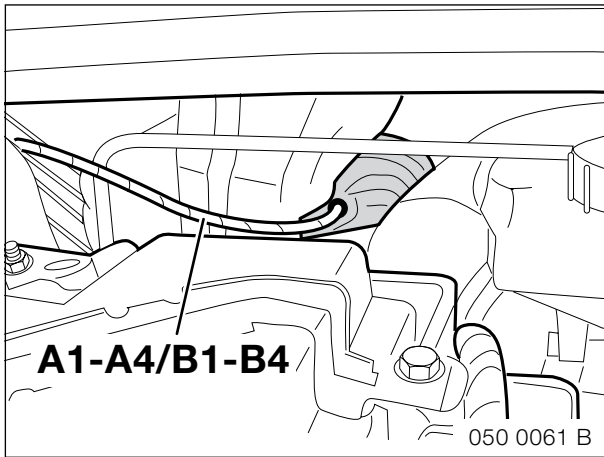
To the black 54-pin socket casing **X253** from base module B. Connect branch **A15/B15**, blade terminal contact, black/red/yellow cable, to **PIN27**.
Connect branch **A16/B16**, blade terminal contact, black/blue cable, to **PIN30**.
Connect branch **A17/B17**, blade terminal contact, black/red cable, to **PIN34**.



▶ Base module on the right A pillar. ◀

To the blue 54-pin socket casing **X255** from base module D. Connect branch **A11/B5**, blade terminal contact, grey/black/yellow cable, to **PIN14**.

10. To install the alarm system connection cable (LHD cars)

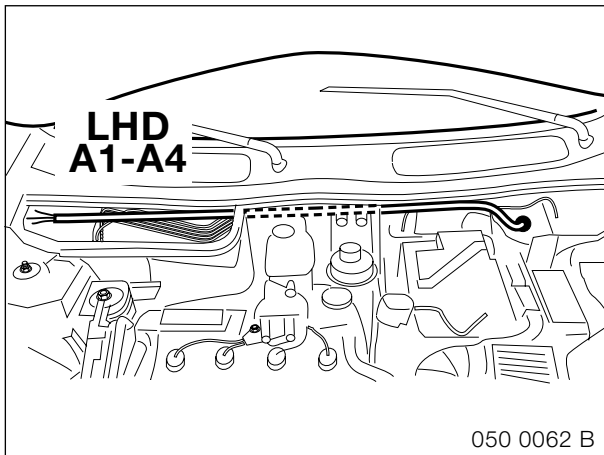


▶ The figure shows LHD. ◀

▶ Proceed in the same way on RHD cars. ◀

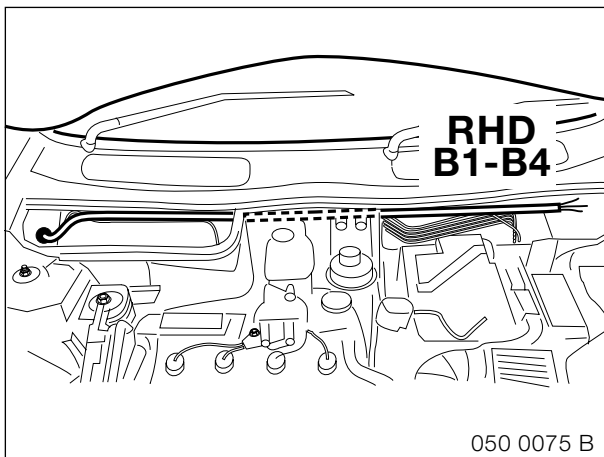
▶ Cut open the rubber grommet. ◀

Lay branches **A1-A4/B1-B4** through the cable grommet on the driver's side. Seal the rubber grommet with sealing compound.



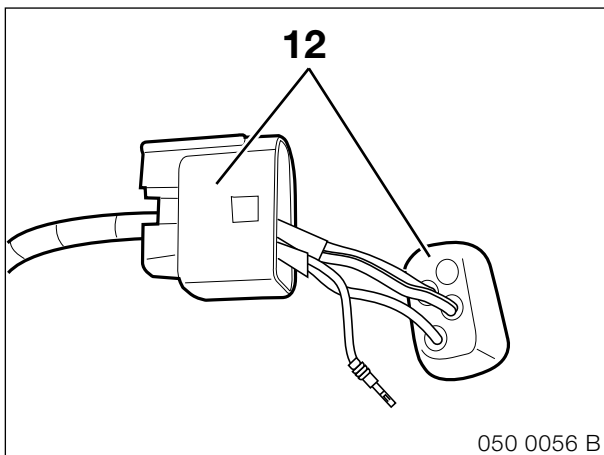
▶ The figure shows LHD. ◀

Lay branches **A1-A4** behind the bulkhead to the installation site of the alarm system siren (in the engine compartment on the right).



▶ The figure shows RHD. ◀

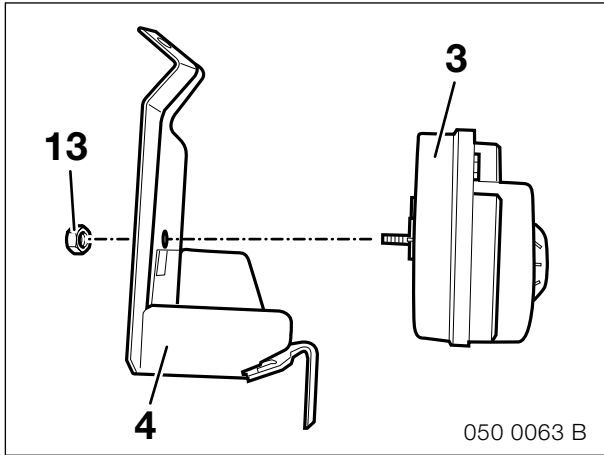
Lay branches **B1-B4** behind the bulkhead to the installation site of the alarm system siren (in the engine compartment on the left).



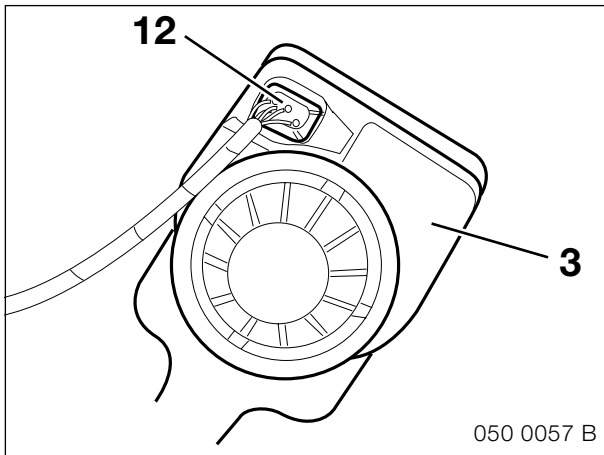
▶ Connect the casing of the black alarm system siren socket casing (12) to the cable before inserting the pin. ◀

To the black 4-pin alarm system siren socket casing (12) Connect branch **A1/B1**, blade terminal contact, brown cable, to **PIN1**. Connect branch **A2/B2**, blade terminal contact, black/red/yellow cable, to **PIN2**. Connect branch **A3/B3**, blade terminal contact, red/black/ yellow cable, to **PIN3**. Connect branch **A4/B4**, blade terminal contact, black/blue/white cable, to **PIN4**.

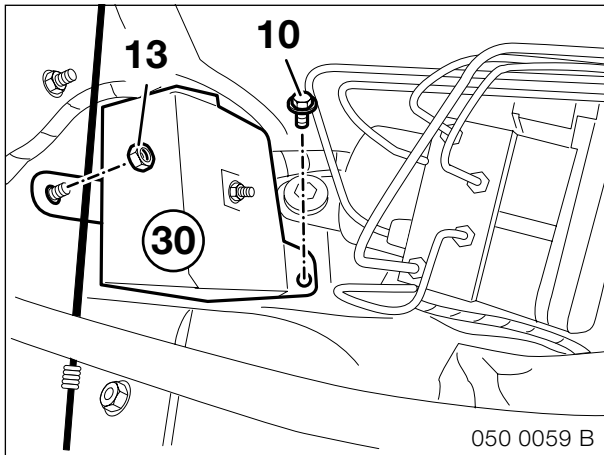
10. To install the alarm system connection cable (LHD cars)



Screw the alarm system siren (3) to the holder (4) using the hexagonal nut M6 (13).



Connect the black 4-pin alarm system siren socket casing (12) to the siren (3).



▶ The figure shows LHD. ◀

Screw the alarm system siren and holder (30) using the hexagonal screw M6x12 (10) and hexagonal nut (13).

▶ Proceed in the same way on RHD cars. ◀

11. Coding and concluding work



Connect the battery. ◀

This system requires coding.

To ensure that the retrofit system:

- is fully functional and
- prevents malfunctions and errors when combined with other electrical systems in the car, this retrofit system and, possibly, other components must be coded and saved in the central code of the IKE.

This coding process is automatic using the current coding program in the **“Retrofit”** path. The procedure is user-guided, follow the text instructions for completing each individual step.

Procedure

- Connect DIS/MoDIC to the car
- Ignition **“ON”**
- Select **“Coding ZCS”**
- Confirm the date by pressing **“Y”** (MoDIC only)
- Series: **“R50”**
- Path: **“2 Retrofit”**
- System: **“Alarm system”**

Concluding work

Check the function of the alarm system (section 12) and assemble the car.

12. Function test

Procedure	Response
1. Arm the alarm system with the remote key.	The doors and boot are locked at the same time.
2. The hazard lights will flash once and the LED will start to flash quickly.	All the doors, the bonnet and the boot are locked. The tilt alarm sensor is active. The ultrasonic module will be activated approx. 30 seconds later.
3. Brief acoustic signal from the emergency-current siren.	The doors, the bonnet or the boot are not closed properly. The tilt alarm sensor is active. The ultrasonic module is not activated.
4. Open the doors, bonnet or boot.	An acoustic alarm will be emitted for 30 seconds and an optical alarm for 5 minutes (depending on national version).
5. Trip the ultrasonic module approx. 1 minute after arming it by waving your hand through an open window	An acoustic alarm will be emitted for 30 seconds and an optical alarm for 5 minutes (depending on national version).
6. Test the tilt alarm system by raising the car at one side when the alarm system has been armed.	An acoustic alarm will be emitted for 30 seconds and an optical alarm for 5 minutes (depending on national version).
7. Test the emergency-current siren by disconnecting the car's battery when the alarm system is armed.	An acoustic alarm will be emitted.
8. Disarm the alarm system with the remote key.	The doors and boot are unlocked at the same time. The LED will go out.

13. Circuit diagram

Legend

X253	Base module B plug (black)
X255	Base module D plug (blue)
X1108	Earth post
X1222	Tilt alarm sensor plug
X1582	Interior guard plug
X10207	Fuse switch plug
X10692	Wiper switch plug
X13230	E earth post
X19562	4-pin alarm system siren plug

Cable colours

RT	red
SW	black
GN	green
BR	brown
GE	yellow
WS	white
VI	violet
GR	grey
BL	blue
OR	orange