



NUMBER: 23-038-18

GROUP: 23 - Body

DATE: September 19, 2018

This bulletin is supplied as technical information only and is not an authorization for repair. No part of this publication may be reproduced, stored in a retrieval system, or transmitted, in any form or by any means, electronic, mechanical, photocopying, or otherwise, without written permission of FCA US LLC.

SUBJECT:

Convertible Top Rubs On Rear of Headrest When Opening and Closing

OVERVIEW:

This bulletin involves increasing the clearance between the seat back bar garnish and convertible top.

MODELS:

2017 (BA) FIAT 124 Spider (Convertible)

NOTE: This bulletin applies to vehicles within the following markets/countries: NAFTA, EMEA and APAC.

SYMPTOM/CONDITION:

The customer may notice scratches on the seat back bar garnish (REAR) by the convertible top making contact (Fig. 1).

DIAGNOSIS:

If the customer describes the symptom/condition listed above, perform the Repair Procedure.

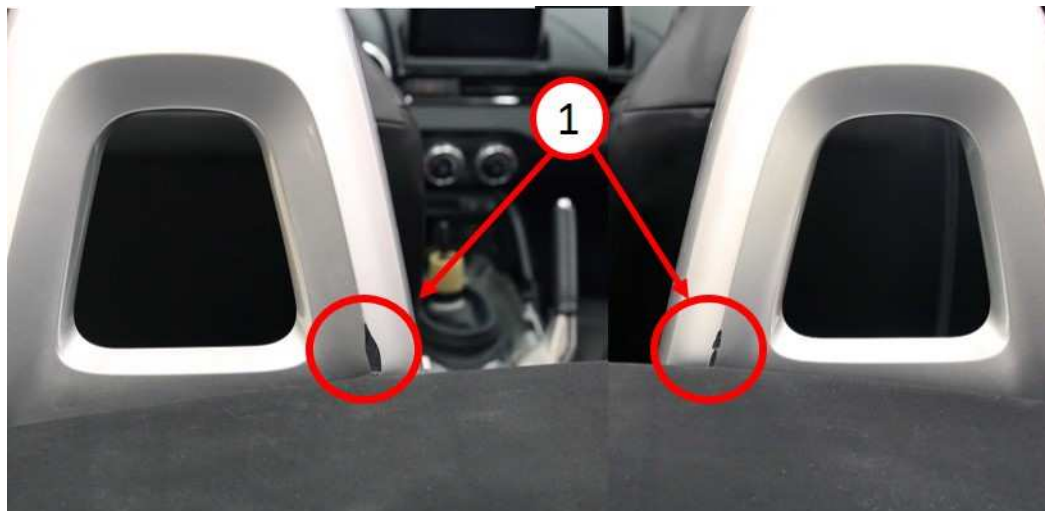


Fig. 1
Roll Bar Trim Panel Contact Area

1 - Headrest Cover Damage

NOTE: Due to assembly variations, the clearance between the seat back roll bar trim panel and the convertible top when being open is small on some vehicles and they interfere by vibration during vehicle driving.

PARTS REQUIRED:

Qty.	Part No.	Description
1 (AR)	68366515AA	Adhesive Tape
1 (AR)	68444671AA	Repair Kit
1 (AR)	68334071AA	Silver Headrest Left
1 (AR)	68315427AA	Black Headrest Left
1 (AR)	68334072AA	Silver Headrest Right
1 (AR)	68315755AA	Black Headrest Right

REPAIR PROCEDURE:

1. Remove the wind stop from vehicle. Refer to the detailed service procedures available in DealerCONNECT> TechCONNECT under: Service Info>23 - Body/Interior/Stop, Wind/Removal.
2. Remove the roll bar trim panel from vehicle. Refer to the detailed service procedures available in DealerCONNECT> TechCONNECT under: Service Info>23 - Body/Interior/Panel, Roll Bar Trim/Removal.
3. Remove the seat belt retractor installation bolts and set the seat belt retractor aside.
4. Remove the seat back crossmember assembly (Fig. 2) .

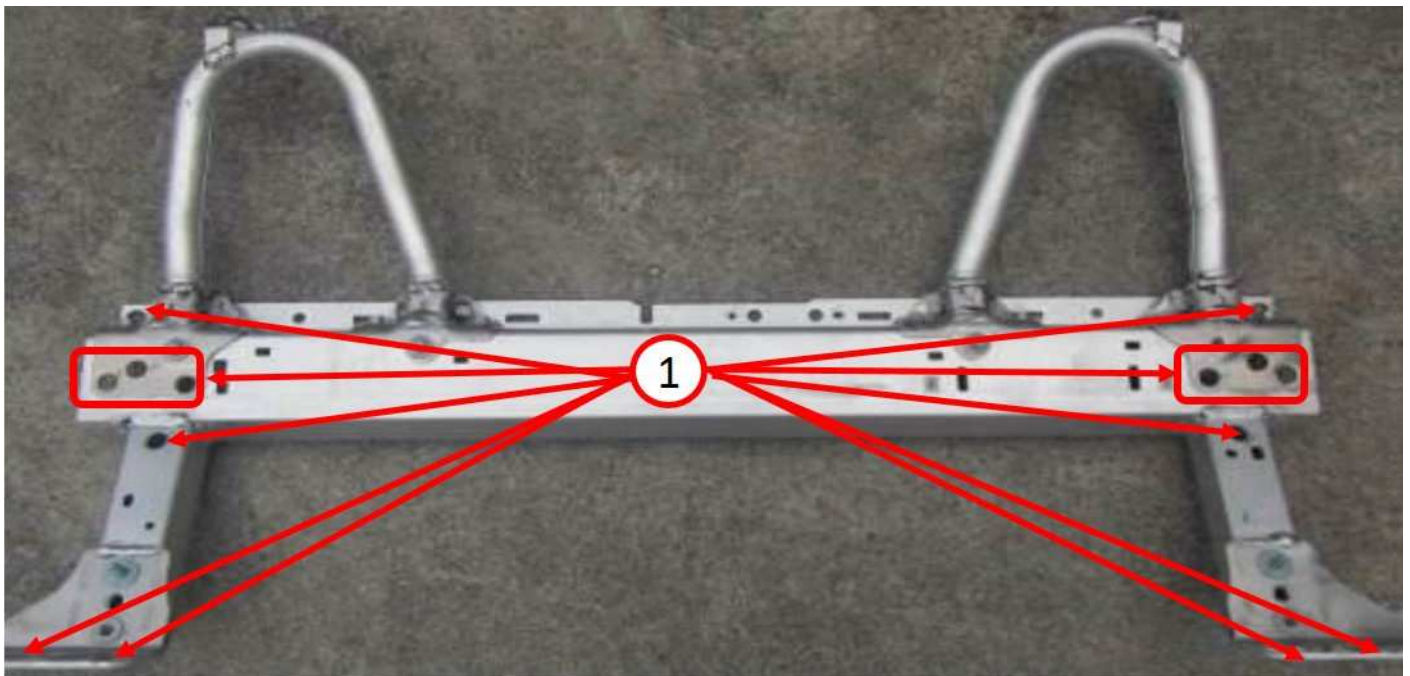


Fig. 2

Seat Back Crossmember Assembly Bolt Locations

1 - Bolt Locations

5. Adjust the position of the link bracket. (For both left and right sides) (Fig. 3) .
6. Loosen the two bolts and nut.

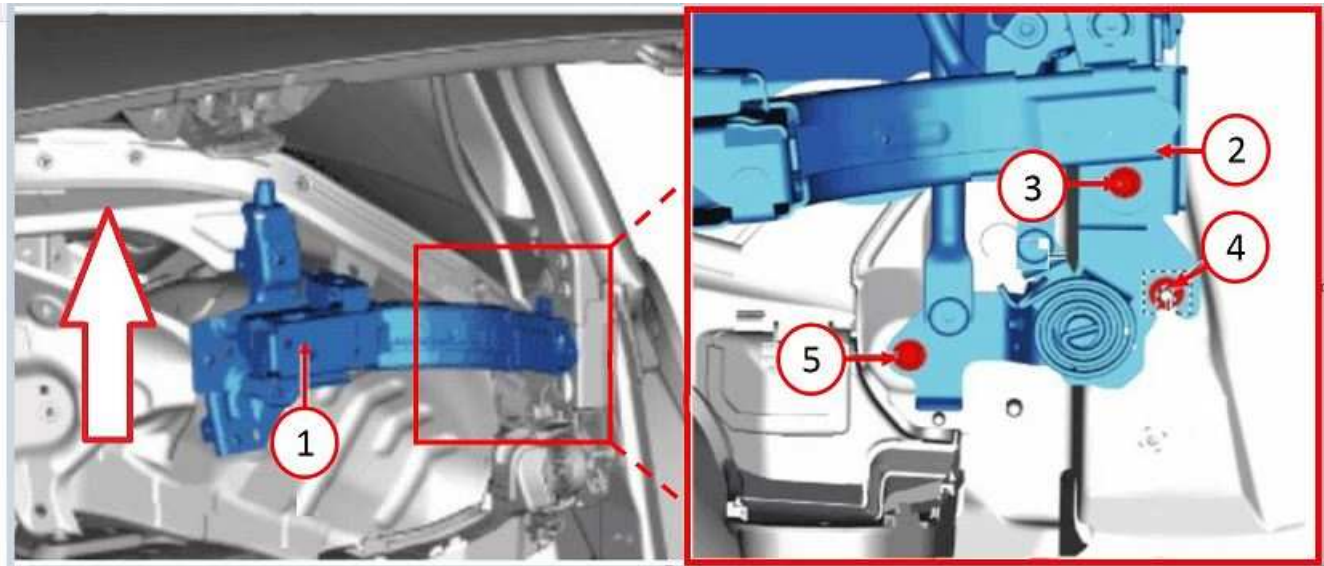


Fig. 3
Link Bracket and Fastener Locations

- 1 - Link Bracket
- 2 - Link Bracket
- 3 - Bolt
- 4 - Stud-bolt and Nut
- 5 - Bolt

7. Lift up the link bracket (Fig. 4) .

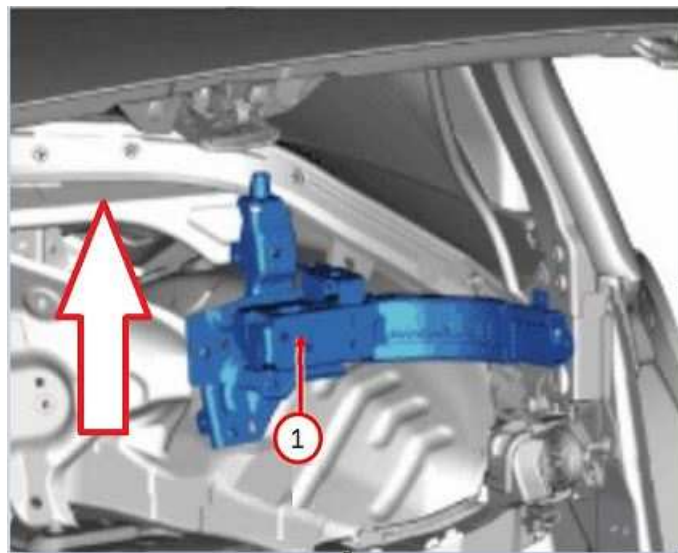


Fig. 4
Lift Up the Link Bracket

- 1 - Link Bracket

8. Tighten the two bolts and bolt stud nut of the link bracket to 19-25 N·m (15-18 ft lbs) (Fig. 5) .

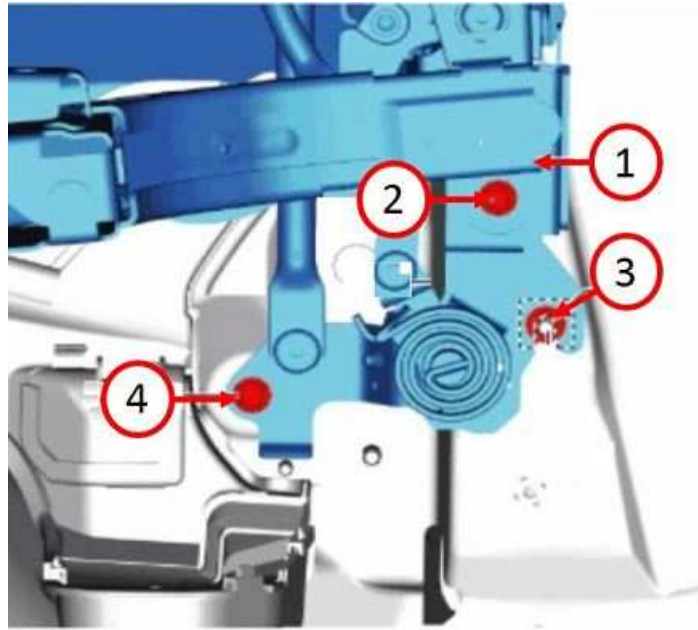


Fig. 5
Link Bracket Fastener Location

- 1 - Link Bracket
2 - Bolt
3 - Bolt Stud and Nut
4 - Bolt
-

9. Attach the washers to the link bracket.
10. Apply an appropriate adhesive to the washers (Fig. 6) as shown in the illustrations to temporarily fix the washers on the link bracket.



Fig. 6
Washers

- 1 - Washer "A"
2 - Washer "B"
-

11. Affix the washers to the surface of the link bracket by using adhesive (Fig. 7) .

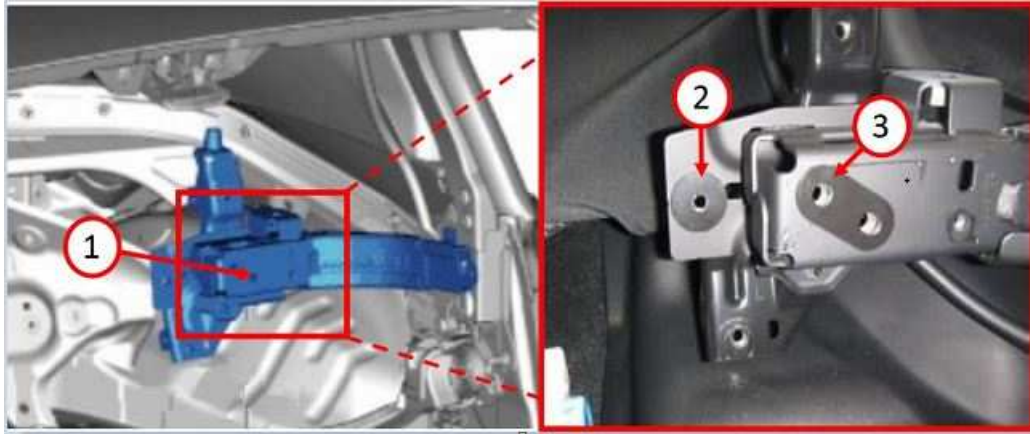


Fig. 7
Washer Locations

- 1 - Link Bracket
- 2 - Washer "A"
- 3 - Washer "B"

NOTE: Install the washer B with the ellipsoid hole placing as shown in the illustration (Fig. 8) .

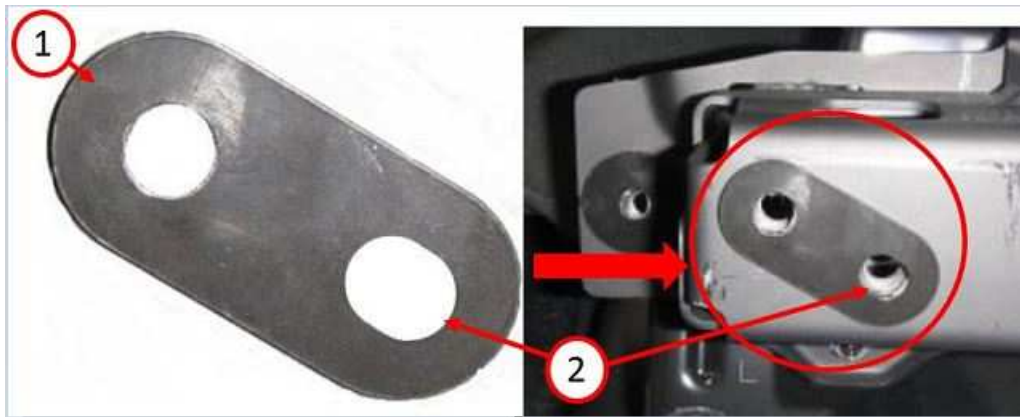


Fig. 8
Install Washer "B"

- 1 - Washer "B"
- 2 - Ellipsoid Hole

12. Attach pieces of fabric sheet to the four square holes of the seat back crossmember to prevent creak noise generating.

NOTE: When removing the metal fasteners of the back trim from the square holes of the seat back crossmember, the holes may be damaged causing the noise due to loose fit of the fasteners (Fig. 9) .

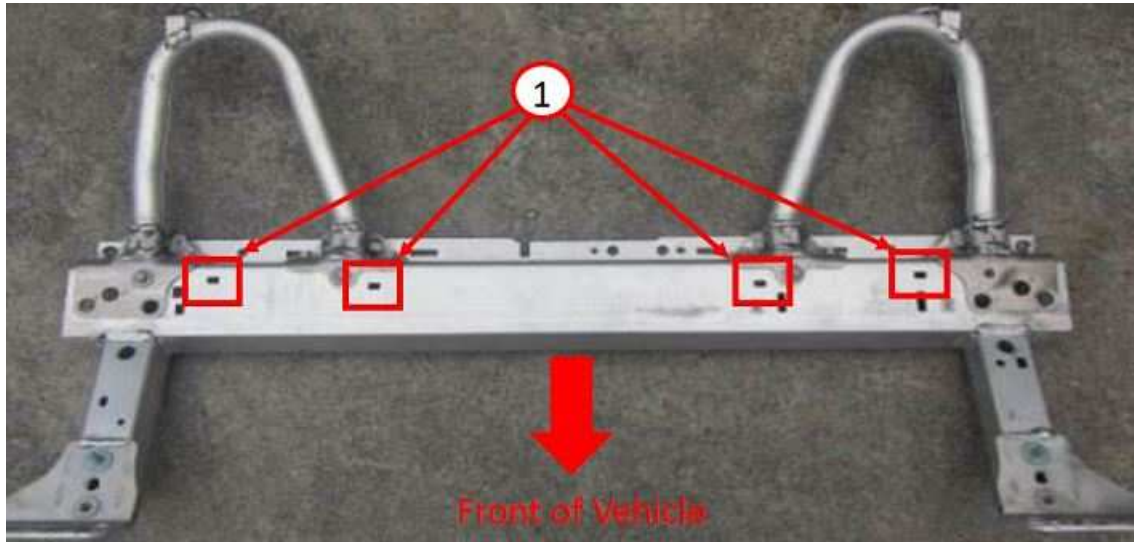


Fig. 9
Seat Back Crossmember

1 - Square Holes

13. Select a 0.25 mm (1/10 in) thickness fabric sheet from “Repair Kit” (P/N 68444671AA) and cut the sheet into 8 equal pieces of 15 mm (5/8 in) x 10 mm (3/8 in) size square.
14. Clean and de-grease around the four square holes of the seat back crossmember as shown in (Fig. 9) .
15. Attach the eight pieces of fabric sheet to the four square holes of the seat back crossmember (Fig. 10) .

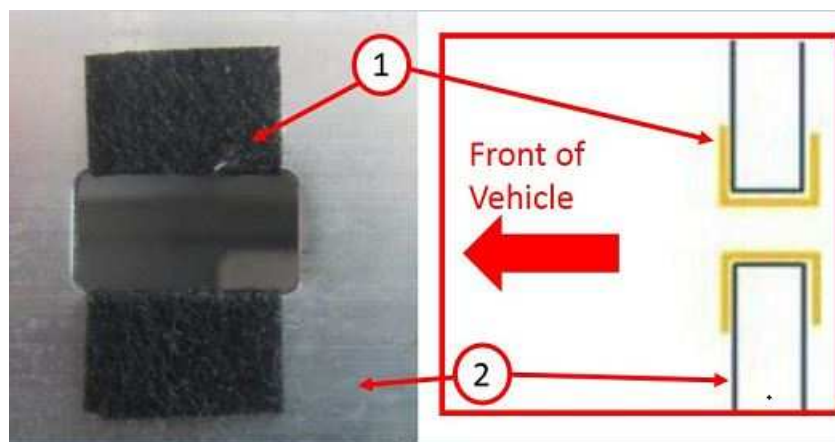


Fig. 10
Fabric Tape Application

1 - Felt Tape
2 - Seat Back Crossmember

16. Install the seat back crossmember assembly tighten the bolts to 19-25 N·m (15-18 ft lbs).
17. Install the seat back bar garnish (Rear) while twisting the garnish so that the garnish can be kept closer to the seat back bar and away from the convertible top. (For both left and right sides)
18. Loosen the screw of the seat back roll bar trim panel (Rear) (Fig. 11) .

NOTE: If the seat back bar garnish(s) is scratched, replace it with a new one.

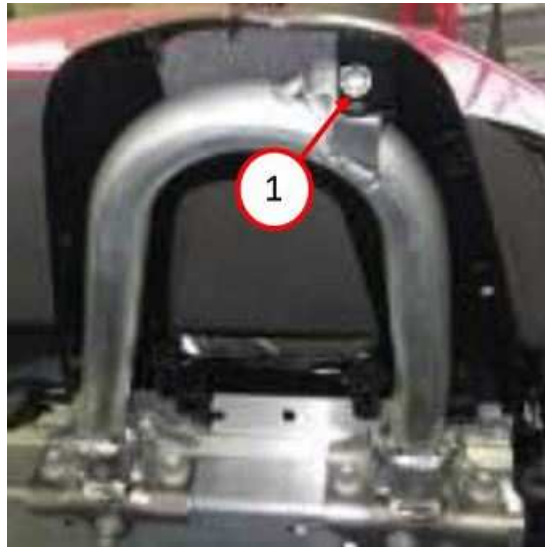


Fig. 11
Seat Back Roll Bar Screw Location

1 - Seat Back Roll Bar Screw

19. Tighten the screw while twisting the seat back roll bar trim panel (Rear) in the direction shown in (Fig. 12) .



Fig. 12
Seat Back Roll Bar Trim Panel

20. Install other removed parts in the reverse order of removal.

POLICY:

Reimbursable within the provisions of the warranty.

TIME ALLOWANCE:

Labor Operation No:	Description	Skill Category	Amount
23-47-01-90	Sport Bar, Shim and Adjust (1 - Semi-Skilled)	6 - Electrical and Body Systems	1.3 Hrs.

FAILURE CODE:

ZZ	Service Action
----	----------------