

Alfa Romeo 4C Maintenance Chart

Mileage or time passed (whichever comes first)	Miles:	12,000	24,000	36,000	48,000	60,000	72,000
	Months:	12	24	36	48	60	72
	Kilometers	20,000	40,000	60,000	80,000	100,000	120,000
Check Vehicle Fasteners		X		X		X	
Check Mechanical Components Fasteners		X	X	X	X	X	X

2015 - 4C - ALFA 4C COUPE/CONV - 1.8L I4 B GDI TURBO

04 - Vehicle Quick Reference/Maintenance Schedules/Inspection

VEHICLE FASTENING CHECK

Fig.	Ref.	Component	Fixing	dia	Torque (DaNm)	Torque (Nm)
<u>1</u>	1	Fastening of the steering box to the body	Pin/bush/ spacer/nut	M12	6.7 ÷ 7.4	67 - 74
<u>2</u>	2	Fastening of the door hinge to the body	Screw	M10	4.1 ÷ 5.0	41 - 50
<u>3</u>	3	Fastening of the rear part of the chassis to the monocoque (lower side area)	Screw	M10	4.1 ÷ 5.0 +45°	41 - 50 +45°
<u>3</u>	4	Fastening of the rear part of the chassis to the monocoque (lower central area)	Screw + flat washer	M10	4.1 ÷ 5.0 +45°	41 - 50 +45°
<u>3</u>	5		Screw + tapered spring washer + flat washer	M10	4.1 ÷ 5.0 +45°	41 - 50 +45°
<u>3</u>	6	Fastening of the rear part of the chassis to the monocoque (upper side area)	Screw	M12	8.6 ÷ 9.5	86 - 95
<u>4</u>	7	Fastening of the side brace to the monocoque	Screw	M10	3.8 ÷ 4.2	38 - 42
<u>5</u>	8	Fastening of the front chassis to the monocoque	Nut	M10	3.8 ÷ 4.2	38 - 42
<u>5</u>	9	Fastening of the front chassis to the monocoque	Nut	M12	7.1 ÷ 7.9	71 - 79
<u>5</u>	10	Fastening of the front chassis to the monocoque	Screw	M10	5.7 ÷ 6.3	57 - 63

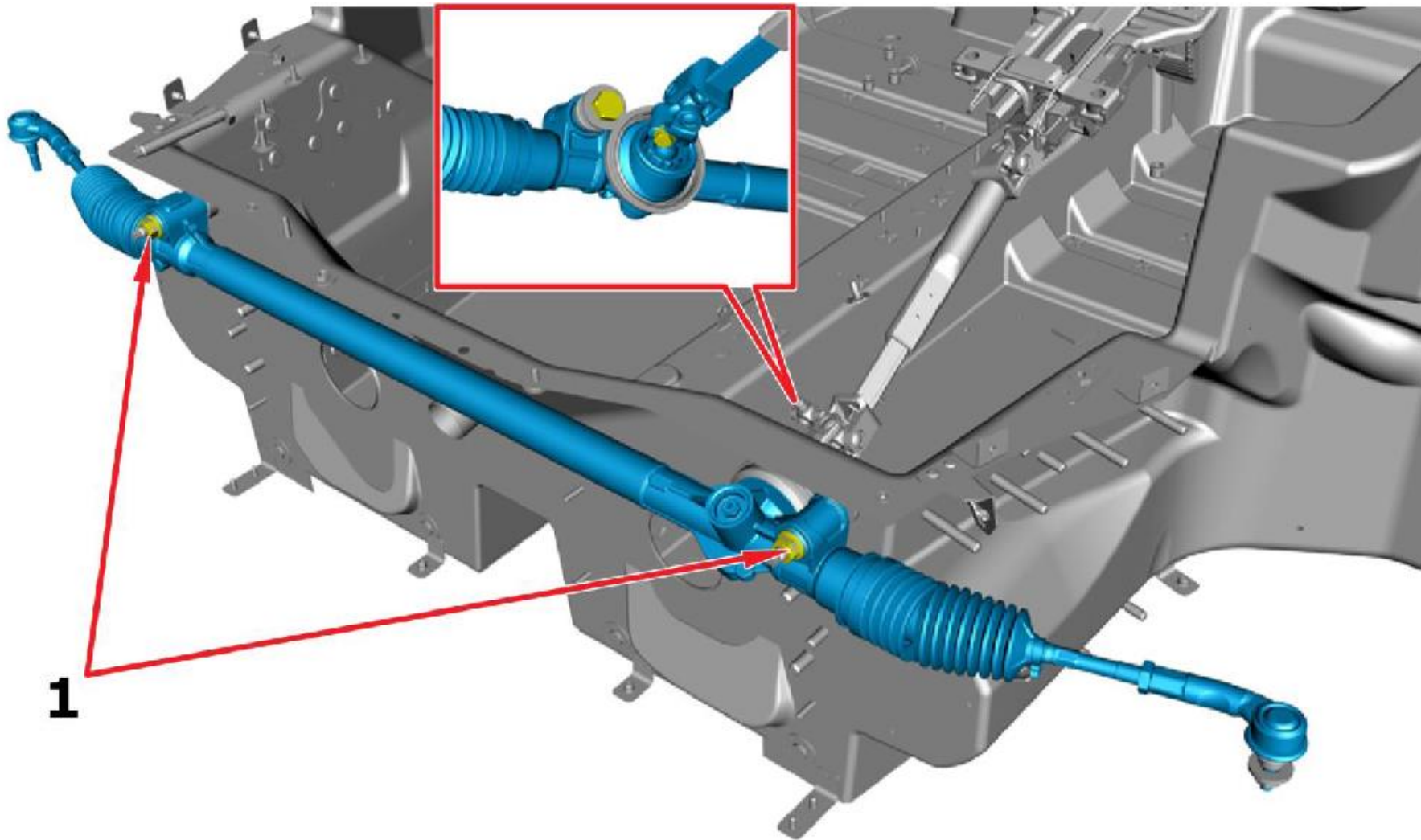


Fig. 1

Fig.	Ref.	Component	Fixing	dia	Torque (DaNm)	Torque (Nm)
1	1	Fastening of the steering box to the body	Pin/bush/ spacer/nut	M12	6.7 ÷ 7.4	67 - 74

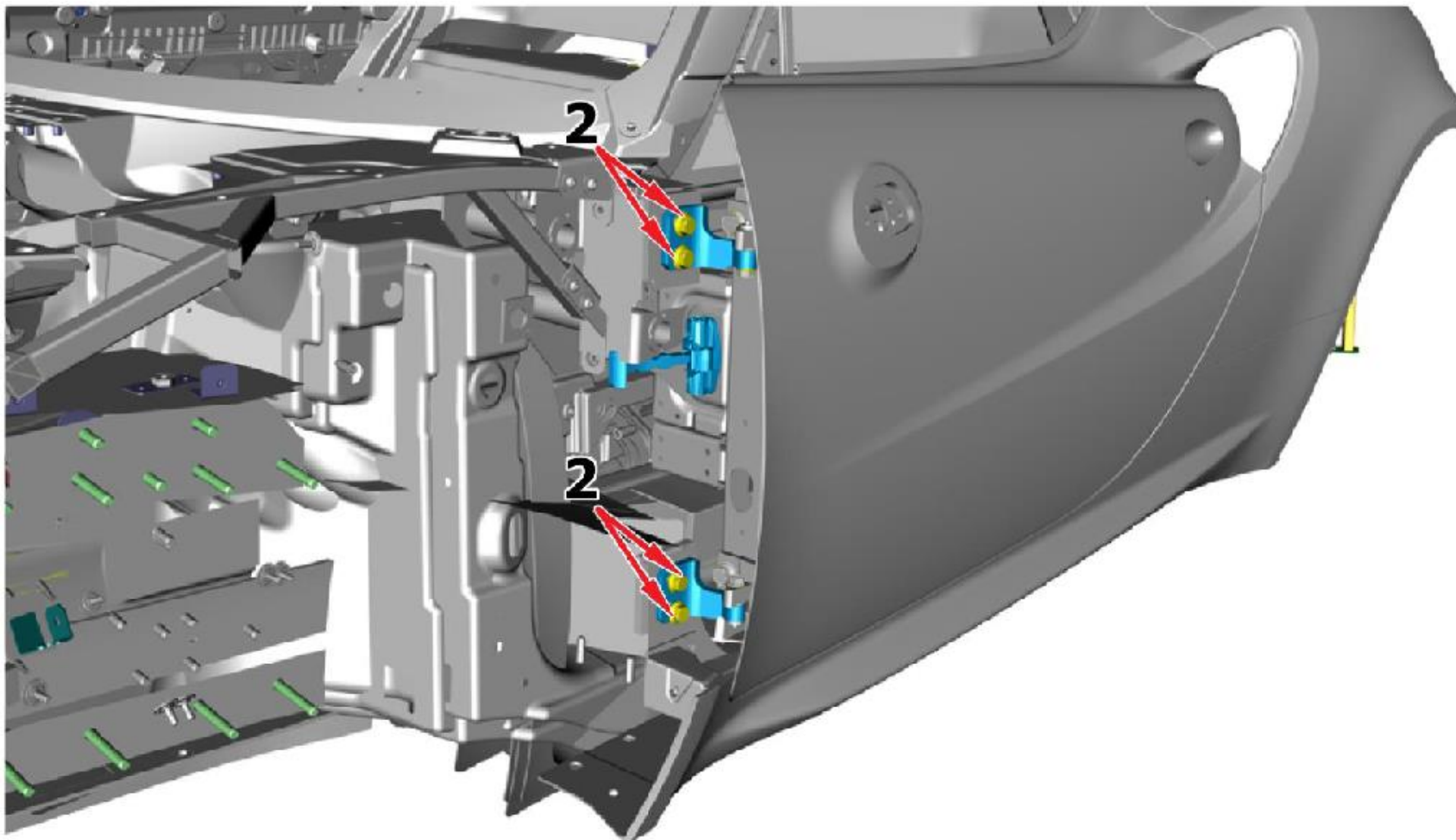


Fig. 2

Fig.	Ref.	Component	Fixing	dia	Torque (DaNm)	Torque (Nm)
<u>2</u>	2	Fastening of the door hinge to the body	Screw	M10	4.1 ÷ 5.0	41 - 50

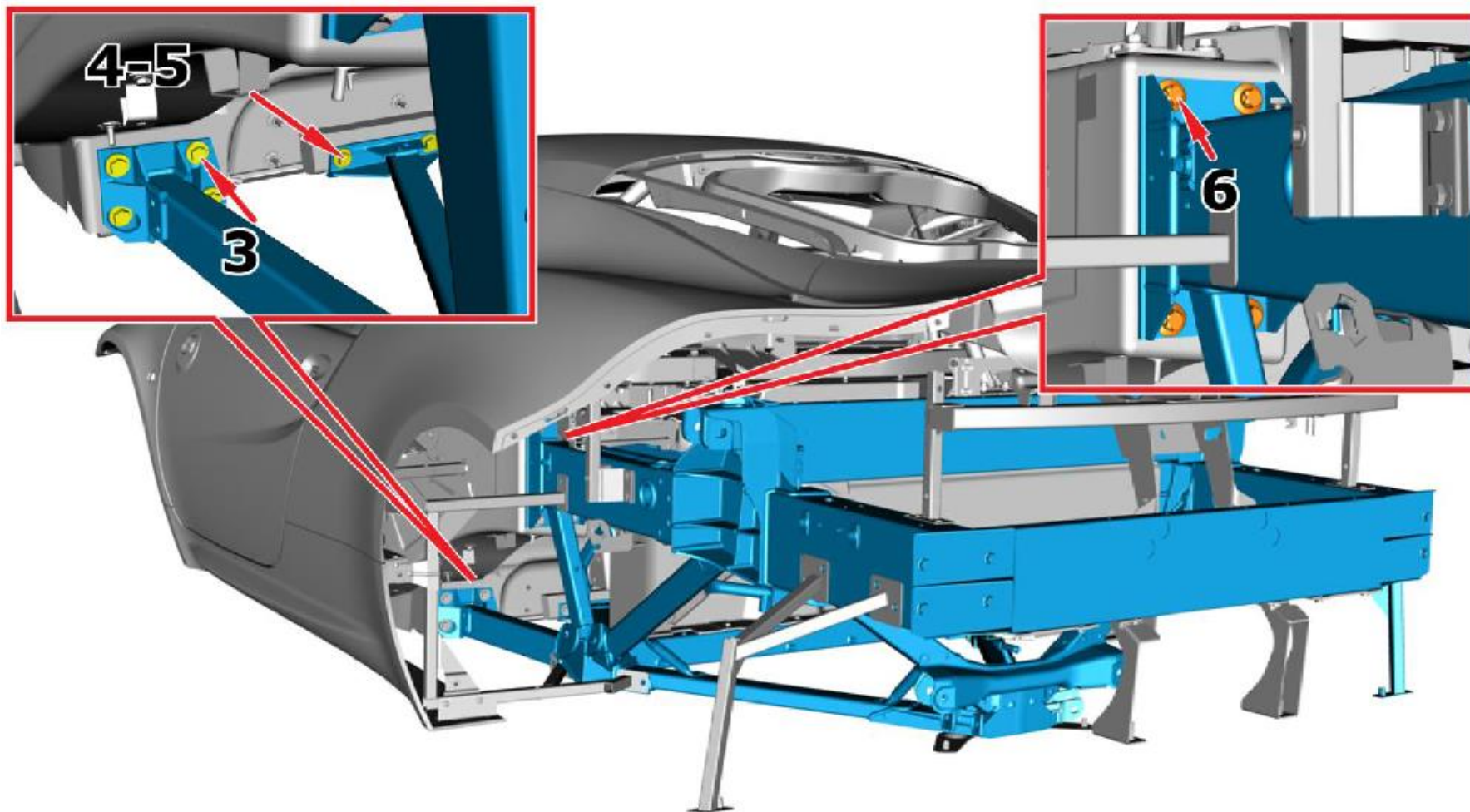


Fig. 3

Fig.	Ref.	Component	Fixing	dia	Torque (DaNm)	Torque (Nm)
<u>3</u>	3	Fastening of the rear part of the chasis to the monocoque (lower side area)	Screw	M10	4.1 ÷ 5.0	41 - 50
<u>3</u>	4	Fastening of the rear part of the chasis to the monocoque (lower central area)	Screw + Flat Washer	M10	4.1 ÷ 5.0	41 - 50
<u>3</u>	5		Screw + tapered spring washer + flat washer	M10	4.1 ÷ 5.0	41 - 50
<u>3</u>	6	Fastening of the rear part of the chasis to the monocoque (lower side area)	Screw	M12	8.6 ÷ 9.5	86 - 95

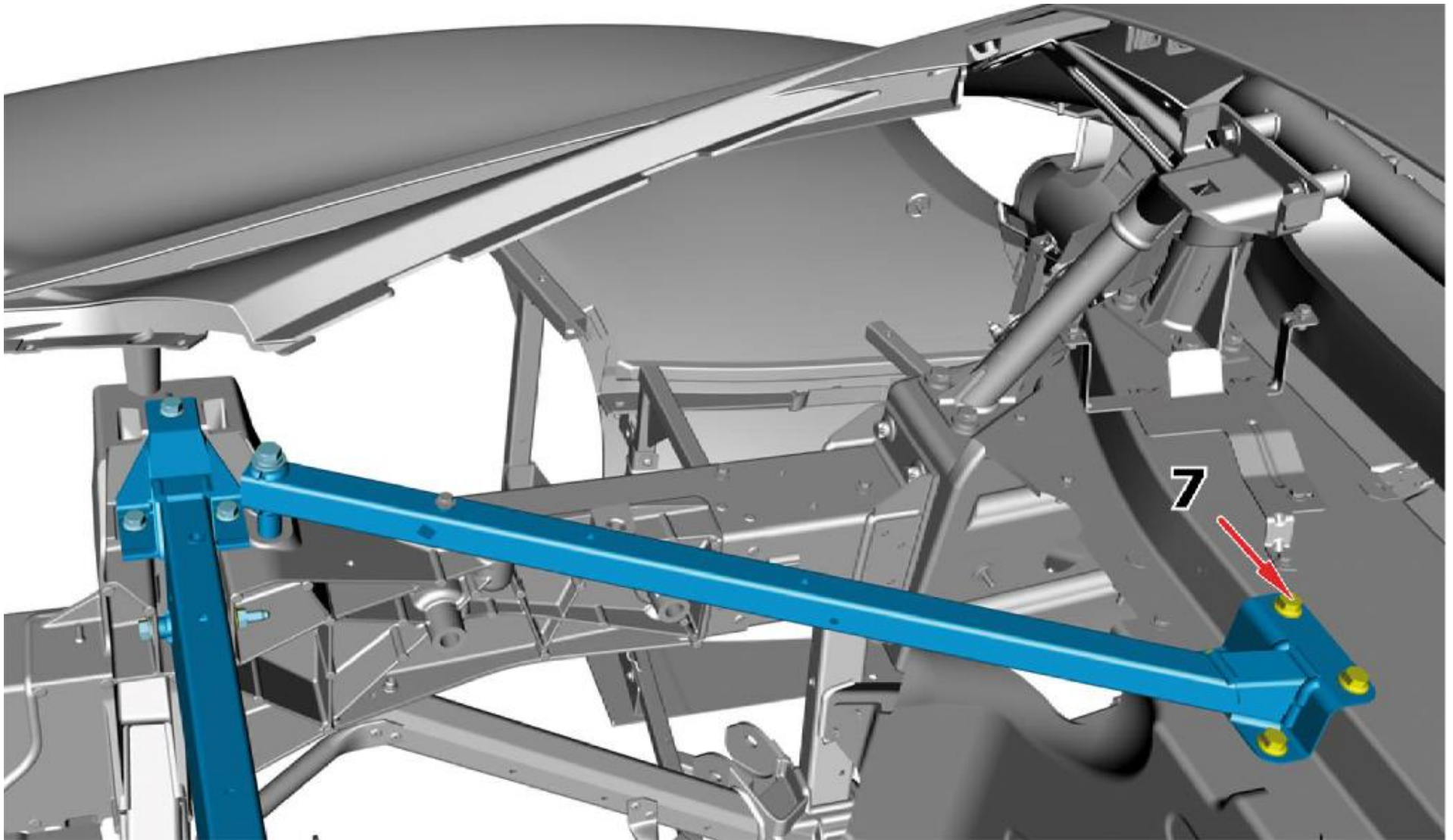


Fig. 4

Fig.	Ref.	Component	Fixing	dia	Torque (DaNm)	Torque (Nm)
4	7	Fastening of the side brace to the monocoque	Screw	M10	3.8 ÷ 4.2	38 - 42

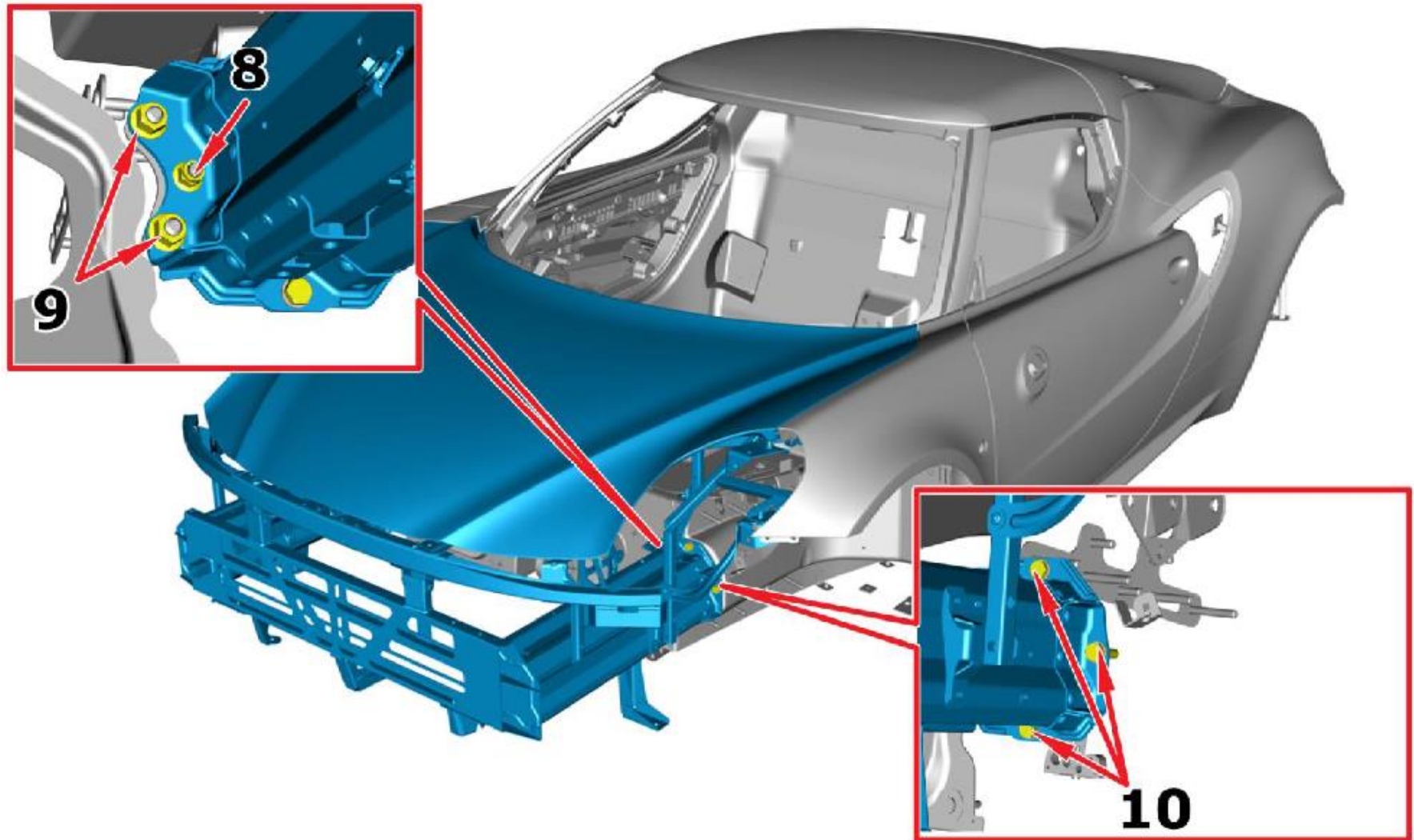


Fig. 5

Fig.	Ref.	Component	Fixing	dia	Torque (DaNm)	Torque (Nm)
5	8	Fastening of the front chassis to the monocoque	Nut	M10	3.8 ÷ 4.2	38 - 42
5	9	Fastening of the front chassis to the monocoque	Nut	M12	7.1 ÷ 7.9	71 - 79
5	10	Fastening of the front chassis to the monocoque	Screw	M10	5.7 ÷ 6.3	57 - 63

MECHANICAL COMPONENT FASTENING CHECK

Fig.	Ref.	Component	Fixing	dia	Torque (DaNm)	Torque (Nm)
<u>1</u>	1	Fastening of the shock absorber upper bracket to the body	Nut	M10	5.2 ÷ 5.8 +45°	52 - 58 +45°
<u>1</u>	2	Fastening of the upper arms to the body	Nut	M10	5.2 ÷ 5.8 +45°	52 - 58 +45°
<u>1</u>	3	Fastening of the lower arms to the body	Nut	M10	5.2 ÷ 5.8 +45°	52 - 58 +45°
<u>2</u>	4	Fastening of the fuel tank to the body	Screw	M8	3.2 ÷ 3.9	32 - 39

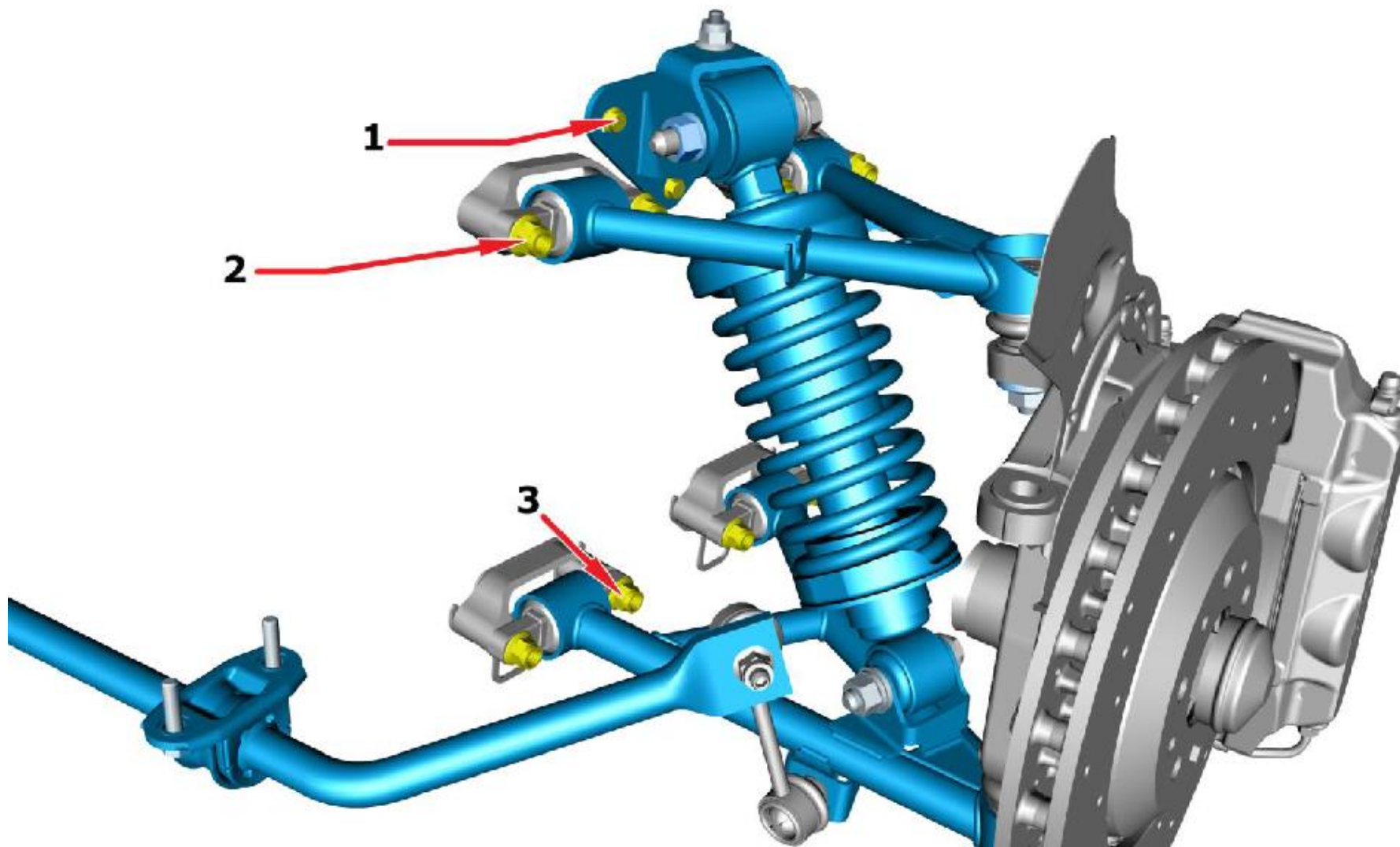


Fig. 1

Fig.	Ref.	Component	Fixing	dia	Torque (DaNm)	Torque (Nm)
1	1	Fastening of the shock absorber upper bracket to the body	Nut	M10	5.2 ÷ 5.8 +45°	52 - 58 +45°
1	2	Fastening of the upper arms to the body	Nut	M10	5.2 ÷ 5.8 +45°	52 - 58 +45°
1	3	Fastening of the lower arms to the body	Nut	M10	5.2 ÷ 5.8 +45°	52 - 58 +45°

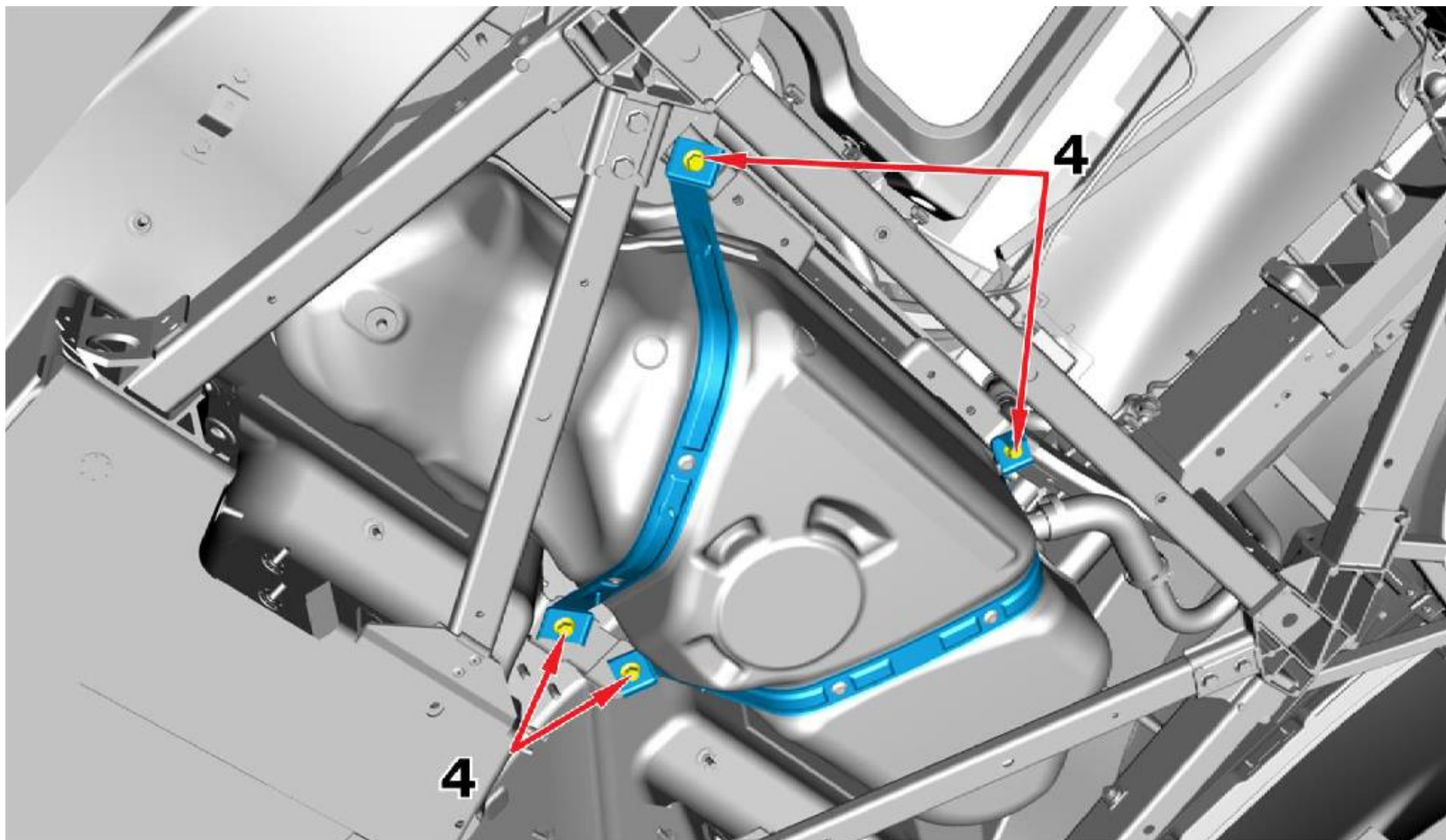


Fig. 2

Fig.	Ref.	Component	Fixing	dia	Torque (DaNm)	Torque (Nm)
2	4	Fastening of the fuel tank to the body	Screw	M8	3.2 ÷ 3.9	32 - 39