



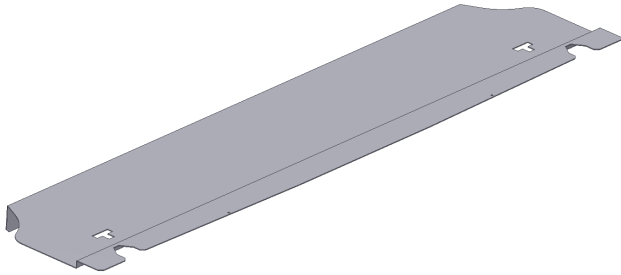
INSTALLATION INSTRUCTIONS

JEEP 2011-UP JK TAILGATE SECURITY ENCLOSURE #282

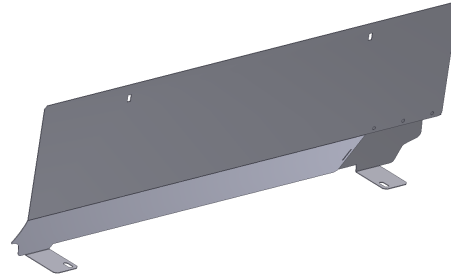
Call (970) 564-1762 for Technical Support

Please read and fill out the enclosed warranty registration card to activate your warranty.

PARTS CHECKLIST

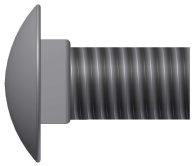


#1 Lid

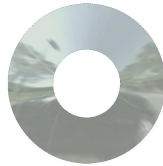


#2 Front Panel

SHIPPING PACKAGE CHECKLIST



#4.1 - (2) 5/16-18 x 3/4" CARRIAGE BOLTS



#4.2 - (2) 5/16" WASHERS



#4.3 - (2) 5/16-18 WING KNOB NUTS



#4.4 - (1) 39 1/4" LONG RUBBER EDGE TRIM (**BULB ON END)



#4.5 - (1) 10 3/4" RUBBER EDGE TRIM (**BULB ON END)



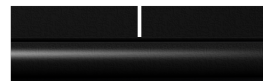
#4.6 - (1) 10 3/4" RUBBER EDGE TRIM (**BULB ON SIDE)



#4.7 - (1) 14" RUBBER EDGE TRIM (**BULB ON END)



#4.8 - (1) 17 1/4" NOTCHED RUBBER EDGE TRIM (**BULB ON END)



#4.9 - (2) 4" NOTCHED RUBBER EDGE TRIM (**BULB ON END)



#4.10 - (2) 2" PLASTIC EDGE TRIM

TOOLS NEEDED

- T-30 Torx bit or driver (To remove OEM cargo loop bolts)
- Flat Head Screwdriver (Optional)

ATTENTION:

- **THIS ENCLOSURE WAS DESIGNED FOR A STOCK OEM VEHICLE, ANY MODIFICATIONS MADE MAY AFFECT THE FIT INCLUDING: CARPET REMOVAL/CHANGES, SEATS, ETC.**
- **On Jeep Wrangler JK vehicles with Manual Door Locks only, the rear tailgate lock must be locked manually with key in order for Tuffy enclosure security to function. Vehicles with Power Door Locks by default also feature Remote Keyless Entry and the Vehicle Security Alarm. Arming of the Vehicle Security Alarm (by locking the doors with either the key fob or interior power door lock switch) automatically disables the interior power door lock switches and ensures the tailgate and**

Tuffy enclosure are secure, even on softtop models or with the top removed. There is a 16-second alarm arming period during which the interior power door lock switches remain active.

- **For safety do not place any items on top of the enclosure that are not adequately secured to the vehicle to prevent movement in the event of an accident or abrupt speed changes.**

PLEASE READ ALL INSTRUCTIONS THOROUGHLY BEFORE STARTING INSTALLATION.

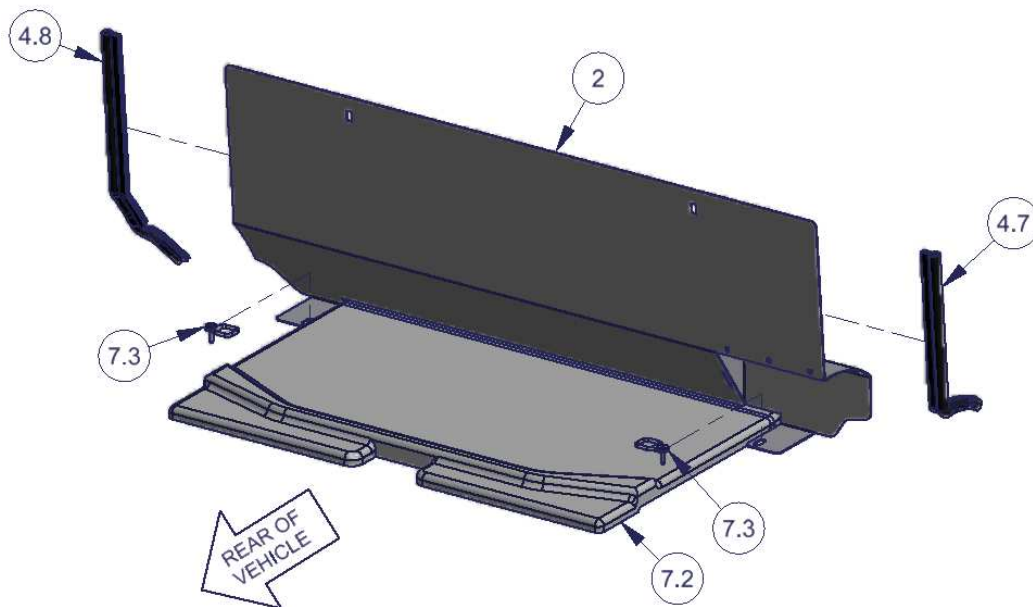
1. **IMPORTANT!** Make sure the vehicle is parked on a flat surface, placed in park, and the emergency brake is activated.
2. If installing the #282 Cargo Enclosure in a 2-door vehicle, fold and tumble the rear seat forward temporarily to allow plenty of access for installation. The seat can be set upright again following installation.
3. Remove the (2) #7.3 OEM rear cargo loop bolts and loops to either side of the #7.2 OEM rear cubby cover, as illustrated. The cargo loop bolts are those in the rear floor used to secure the rear side plastic trim pieces and the rear subwoofer speaker (if equipped). (Note: It may be necessary to remove all (4) rear most cargo loops to make installation of the #2 Front Panel easier. This will make the plastic trim easier to lift up.)
4. Install the (1) #4.7 and (1) #4.8 Rubber Edge Trim pieces onto the #2 Front Panel right and left sides (respectively), as illustrated. The rubber edge trim can be bent and pressed into position to follow the contour of the #2 Front Panel. (Figure 1)
5. Position the #2 Front Panel in the vehicle with the bottom mounting flanges positioned between the carpet and the rear cargo plastic trim. Pressing firmly on the front of the Front Panel, push the Front Panel into position with the mounting flanges wedged between the carpet and plastic trim until the bottom mounting holes line up with the (2) OEM cargo loop bolt holes. Re-Install the #7.3 OEM cargo loops and bolts and tighten to factory specification. (Figure 1)

INSTALL TIPS:

****Note:** If the #2 Front Panel mounting flanges get hung up on the OEM floor weld nuts, it may be necessary to use a flat head screwdriver to pry up on the mounting flanges (while they are under the plastic trim) in order to get the panel into position. To make this easier, it may be necessary to remove the #7.2 OEM cubby cover. Once the installation is complete, the cubby cover can be re-installed.

****Note:** Be sure to keep the rubber edge trim in position when installing the #2 Front Panel in order to insure a proper seal between the Front Panel and the side plastic body trim and to prevent scratches to the plastic trim.

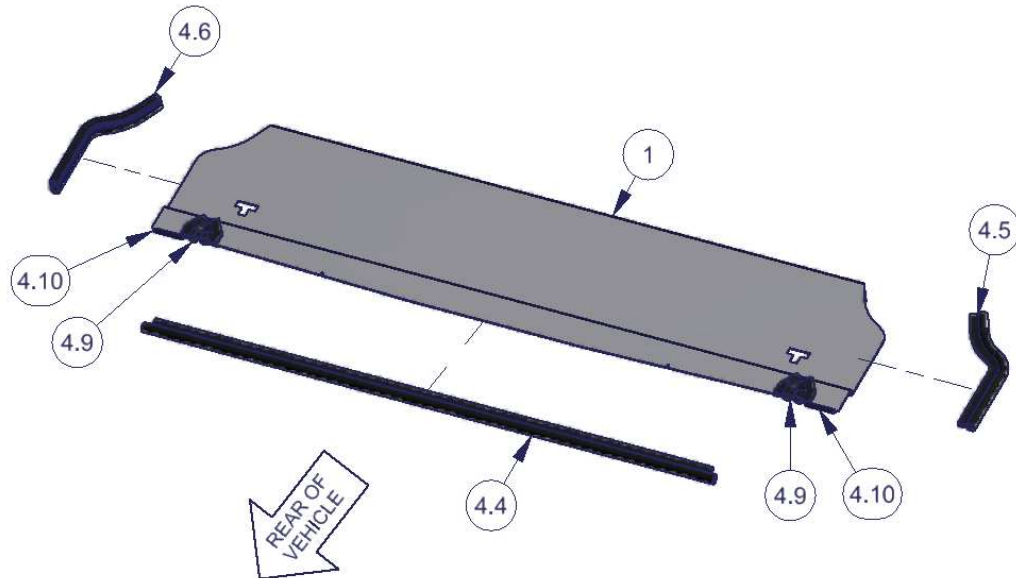
FIGURE 1



6. Install the #4.4 Long Rubber Edge Trim onto the rear edge of the #1 Lid. Install the #4.5 Rubber Edge Trim (**Bulb on end) on the #1 Lid right side (passenger side), as illustrated. Install the #4.6 Rubber Edge Trim (**Bulb on side) onto the #1 Lid left side (driver side) with the **bulb facing down**, as illustrated. (Figure 2)

**Note: The #4.9 Rubber Edge Trim and the #4.10 Plastic Edge Trim were installed at the factory, however if any pieces have become dislodged during shipping, re-install these at this time. (Figure 2)

FIGURE 2



7. Install the #1 Lid with trim pieces into the vehicle by positioning the rear side flanges under the hardtop mounting lip at the rear of the vehicle body and tilting the Lid downwards to meet up with the #2 Front Panel. The #1 Lid is intended to lap over the front of the #2 Front Panel. For a cleaner installation, be sure the #1 Lid front flange tucks inside the rubber edge trim pieces on the #2 Front Panel. (Figure 3)

FITMENT AND SEALING NOTES:

***Note: Be sure to fully insert the #1 Lid rear tabs under the hardtop mounting lip before tilting the Lid downwards. If the Lid is not properly positioned fully rearward under the body lip, the Lid will not meet up to the OEM roll bar/side plastic body trim.

***The #1 Lid is designed to fit quite tightly between the hardtop mounting lip and the OEM roll bar trim (where the #4.5 and #4.6 rubber edge trim pieces meet the plastic) in order to provide a good seal and as a main security feature to prevent the Lid from shifting forward and allowing unwanted access to the secured space.

***Note: Be sure to keep the rubber edge trim in position when installing the #1 Lid in order to insure a proper seal between the Lid and the side plastic body trim.

SOFTTOP USE:

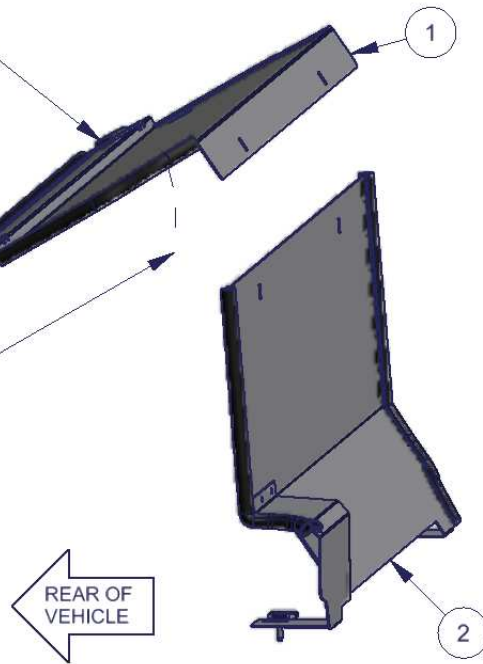
***Note: If installing the #282 Tailgate Security Enclosure on a vehicle with a softtop, it will be easier to remove the (2) softtop rear window bar clips located to either side of the tailgate. Once the #1 Lid is properly installed, the clips can be re-installed by pressing the #1 Lid downwards and clipping the clips under the body lip.

***Note: If installing the #282 Tailgate Security Enclosure on a vehicle with an aftermarket Bestop softtop, Tuffy Security Products offers part #282-BTL Tuffy Levers for Bestop Soft Top Bar (sold separately) to assist in the installation and removal of the Bestop softtop tailgate bar when used in conjunction with the #282 Security Enclosure.

FIGURE 3

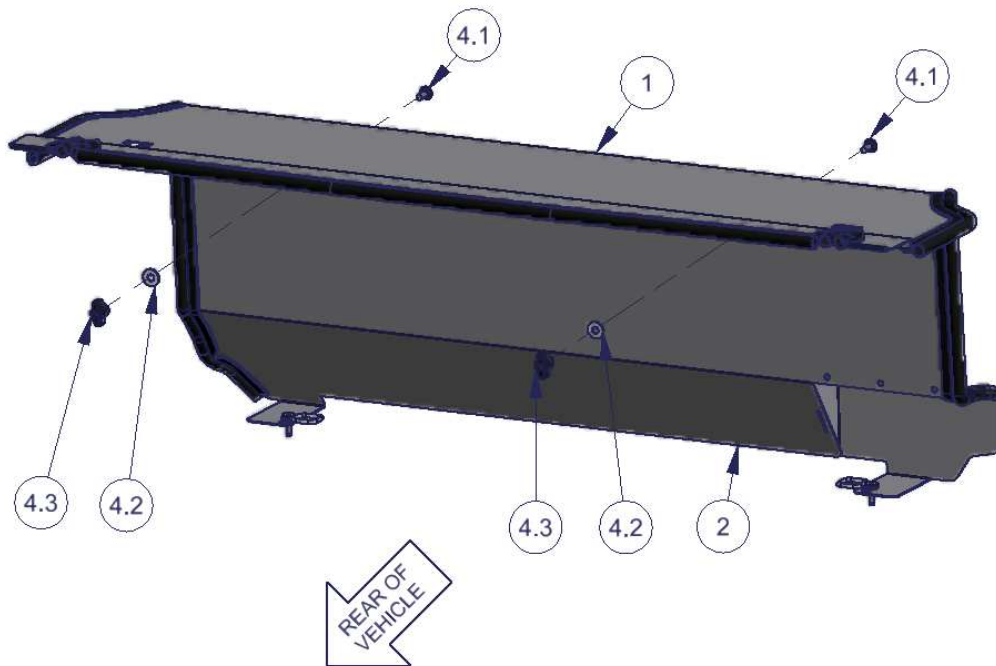
FIT EACH SIDE FLANGE UNDER THE JK HARDTOP MOUNTING LIP AT THE REAR OF THE VEHICLE.

ROTATE #1 LID DOWN TOWARDS THE FRONT OF THE VEHICLE, LAPPING THE #1 LID OVER THE #2 FRONT PANEL.



8. Install the (2) #4.1 carriage bolts from the front of the installed enclosure. Install the (2) #4.2 washers and (2) #4.3 wing knob nuts from inside the enclosure. The two panels have slotted mounting holes to allow for the tailoring of the enclosure fit and position – it may be necessary to raise or lower the #1 Lid a small amount. (Figure 4)

FIGURE 4



Call (970)564-1762 for Technical Support