

09 - Engine, 2.0L / Lubrication / OIL / Standard Procedure

ENGINE OIL LEVEL CHECK

Special Tools: Click to hide the list of tools used in this procedure

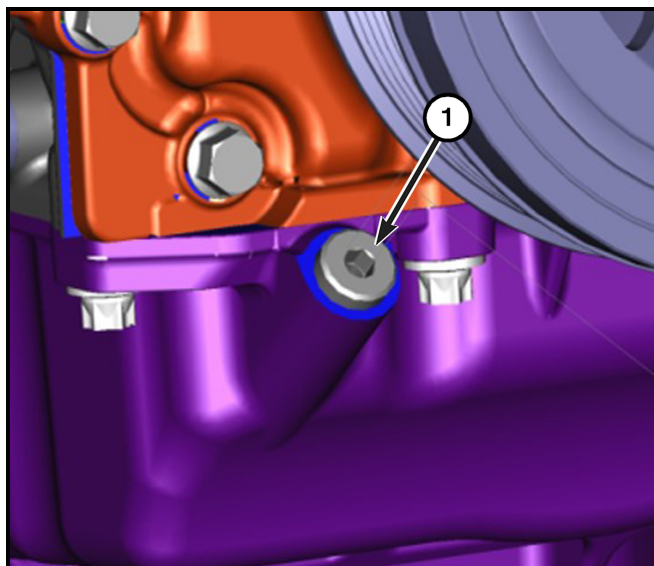
[Click here to launch the form to order any tools you need.](#)

C	2025600210 - Dipstick
---	---------------------------------------

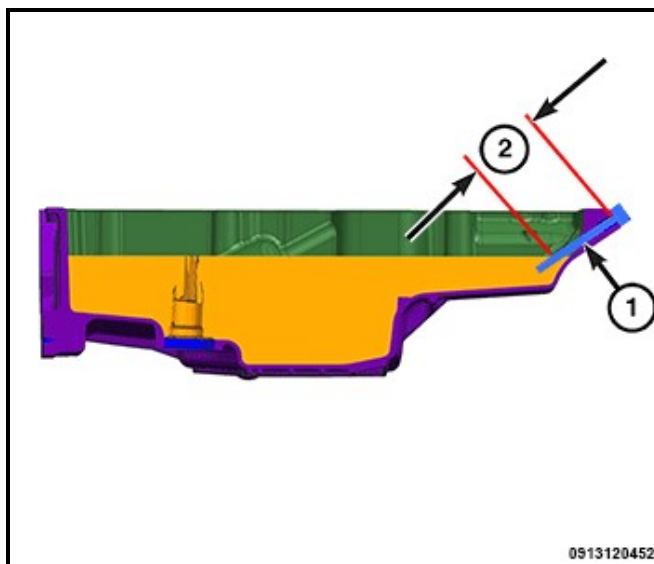
REAR WHEEL DRIVE (RWD)

NOTE: The best time to check the engine oil level is after the engine is at operating temperature. Allow the engine to be shut off for at least 5 minutes before checking the oil level. Checking the oil level while the vehicle is on level ground will improve the accuracy of the oil level reading.

1. Remove the plug (1) from the oil level check port in the front of the oil pan.



2. Insert the [Dipstick 2025600210](#) (1) into the oil level check port until seated squarely on the port opening. Remove the tool and note the oil level (2).



REAR WHEEL DRIVE (RWD)

Oil Level	Rear Wheel Drive (RWD)
Minimum Level mm (inches)	13.7 mm +/- 3mm (0.54 inches +/- 0.12 inches)
Maximum Level mm (inches)	50.0 mm +/- 3mm (1.97 inches +/- 0.12 inches)

- If the oil level is close to or below the minimum oil level, add the recommend engine oil ([Refer to 04 - Vehicle Quick Reference/Capacities and Recommended Fluids/Specifications](#)) until it reaches a level between the minimum and maximum levels. If the oil level is at or above the maximum oil level, it is required to bring the oil level between the minimum and maximum oil level range.

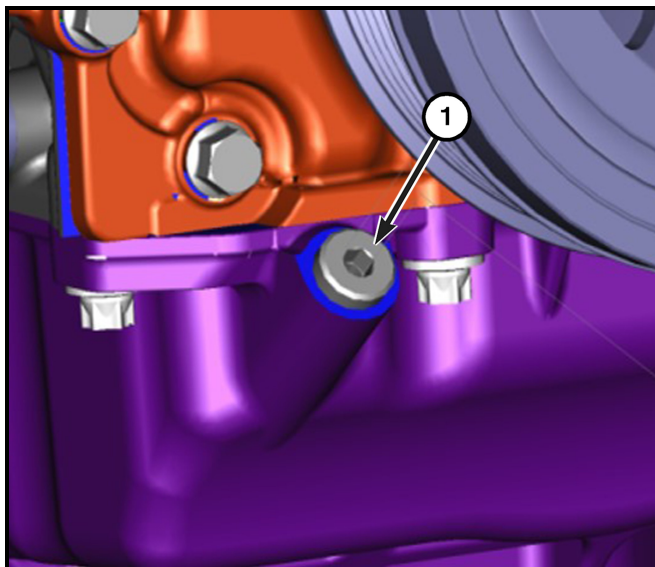
NOTE: After checking the engine oil, always check that the level corresponds to the indication on the instrument panel display.

- Install and tighten the oil level check port plug.

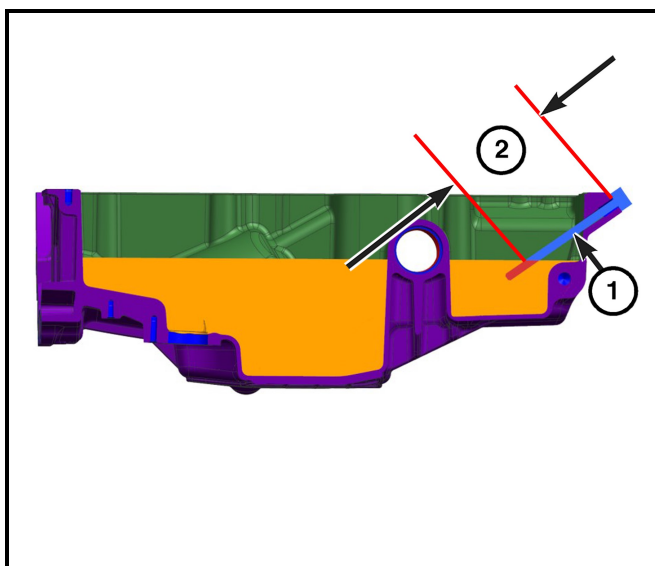
ALL WHEEL DRIVE (AWD)

NOTE: The best time to check the engine oil level is after the engine is at operating temperature. Allow the engine to be shut off for at least 5 minutes before checking the oil level. Checking the oil level while the vehicle is on level ground will improve the accuracy of the oil level reading.

- Remove the plug (1) from the oil level check port in the front of the oil pan.



2. Insert the [Dipstick 2025600210](#) (1) into the oil level check port until seated squarely on the port opening. Remove the tool and note the oil level (2).



ALL WHEEL DRIVE (AWD)

Oil Level	All Wheel Drive (AWD)
Minimum Level mm (inches)	12.5 mm +/- 3mm (0.49 inches +/- 0.12 inches)
Maximum Level mm (inches)	48.7 mm +/- 3mm (1.92 inches +/- 0.12 inches)

3. If the oil level is close to or below the minimum oil level, add the recommend engine oil ([Refer to 04 - Vehicle Quick Reference/Capacities and Recommended Fluids/Specifications](#)) until it reaches a level between the minimum and maximum levels. If the oil level is at or above the maximum oil level, it is required to bring the oil level between the minimum and maximum oil level range.

NOTE: After checking the engine oil, always check that the level corresponds to the indication on the instrument panel display.

4. Install and tighten the oil level check port plug.