

Rockford Fosgate®

P O W E R™

Full-Range Speakers

T142 - 4"

T152 - 5.25"

T1S652 - 6.5" Shallow

T1652 - 6.5"

T1462 - 4"x6"

T1572 - 5"x7"

T1682 - 6"x8"

T1692 - 6"x9"

T1693 - 6"x9" 3-way

Component Systems

T1T-S - 1" Tweeter System

T152-S - 5.25"

T1652-S - 6.5"

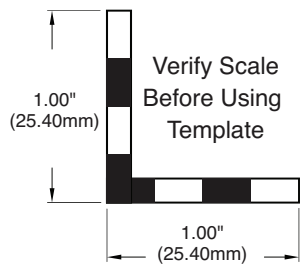
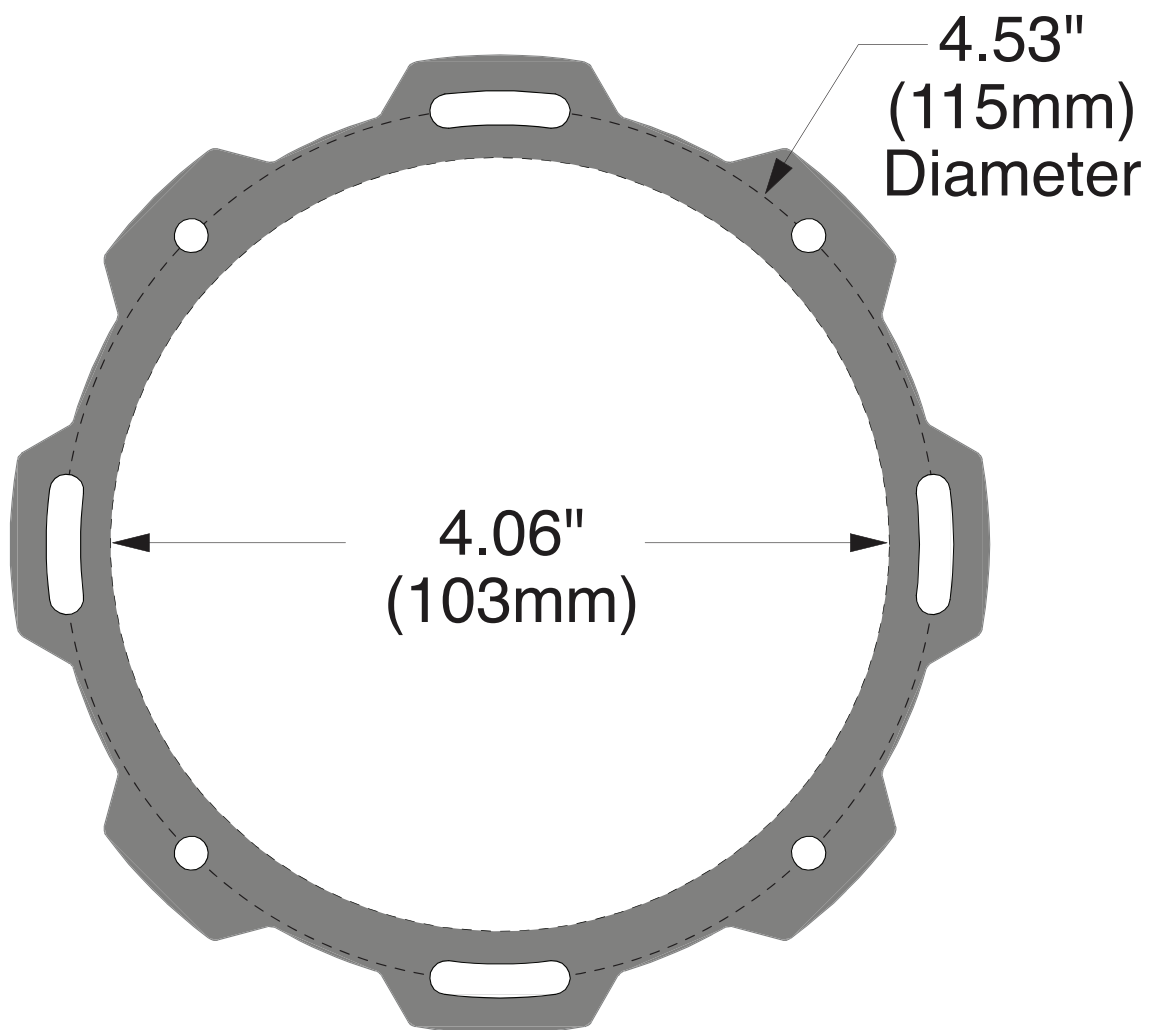
**CUTTING & MOUNTING
TEMPLATES FOR SPEAKER BASKETS**

Print on 8-1/2" x 11" Paper - Scale to 100%

(215.9mm x 279.4mm)

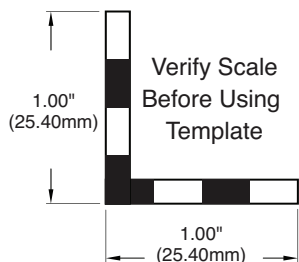
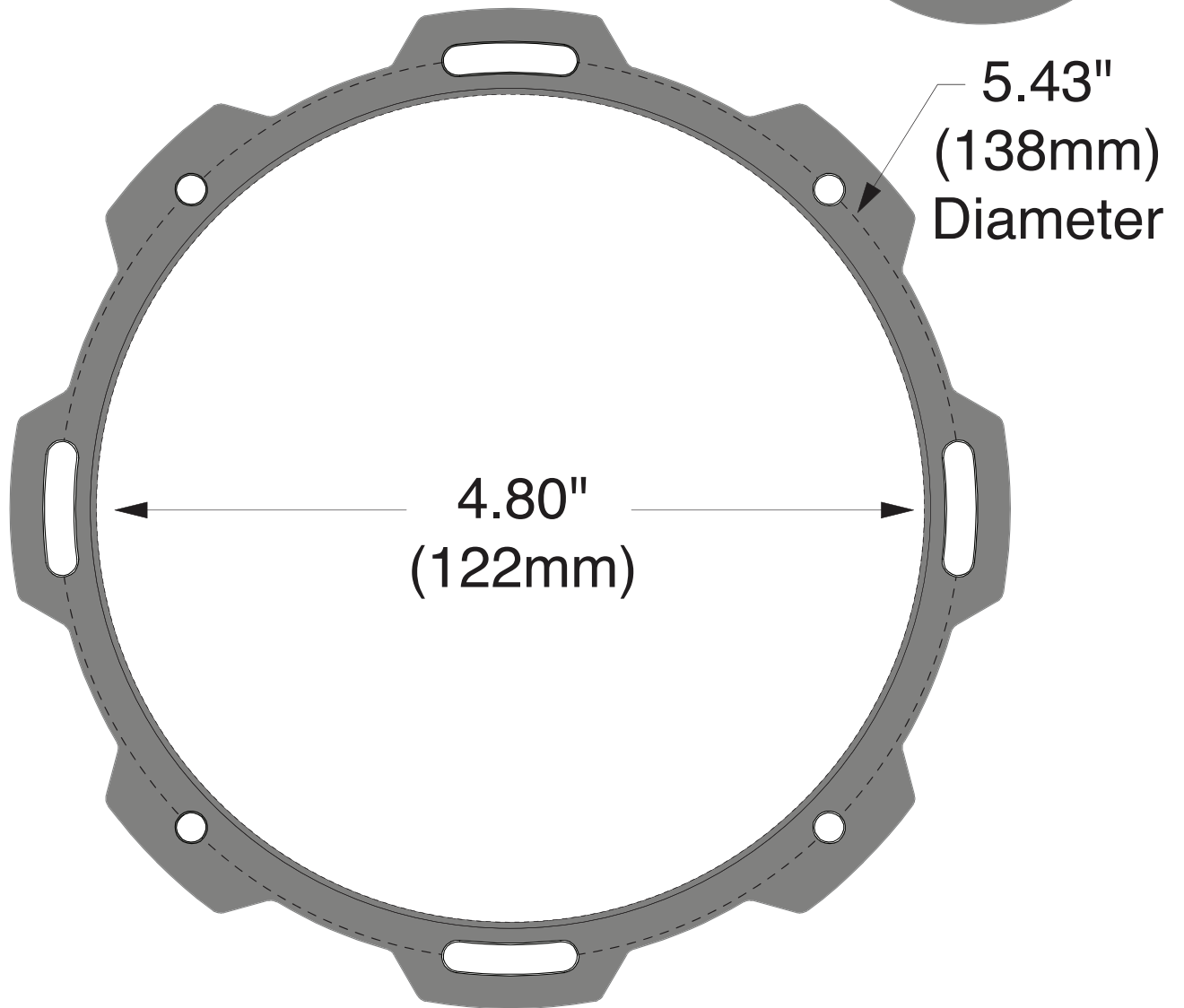
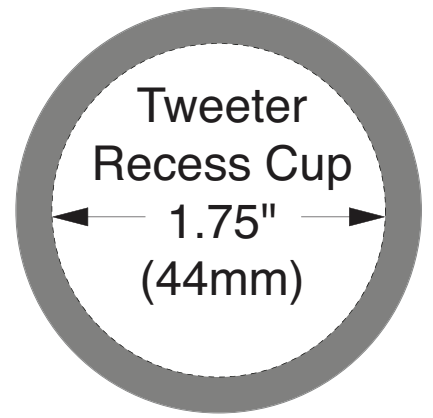
NOTES

T142

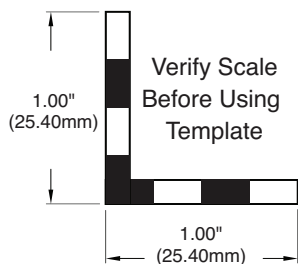
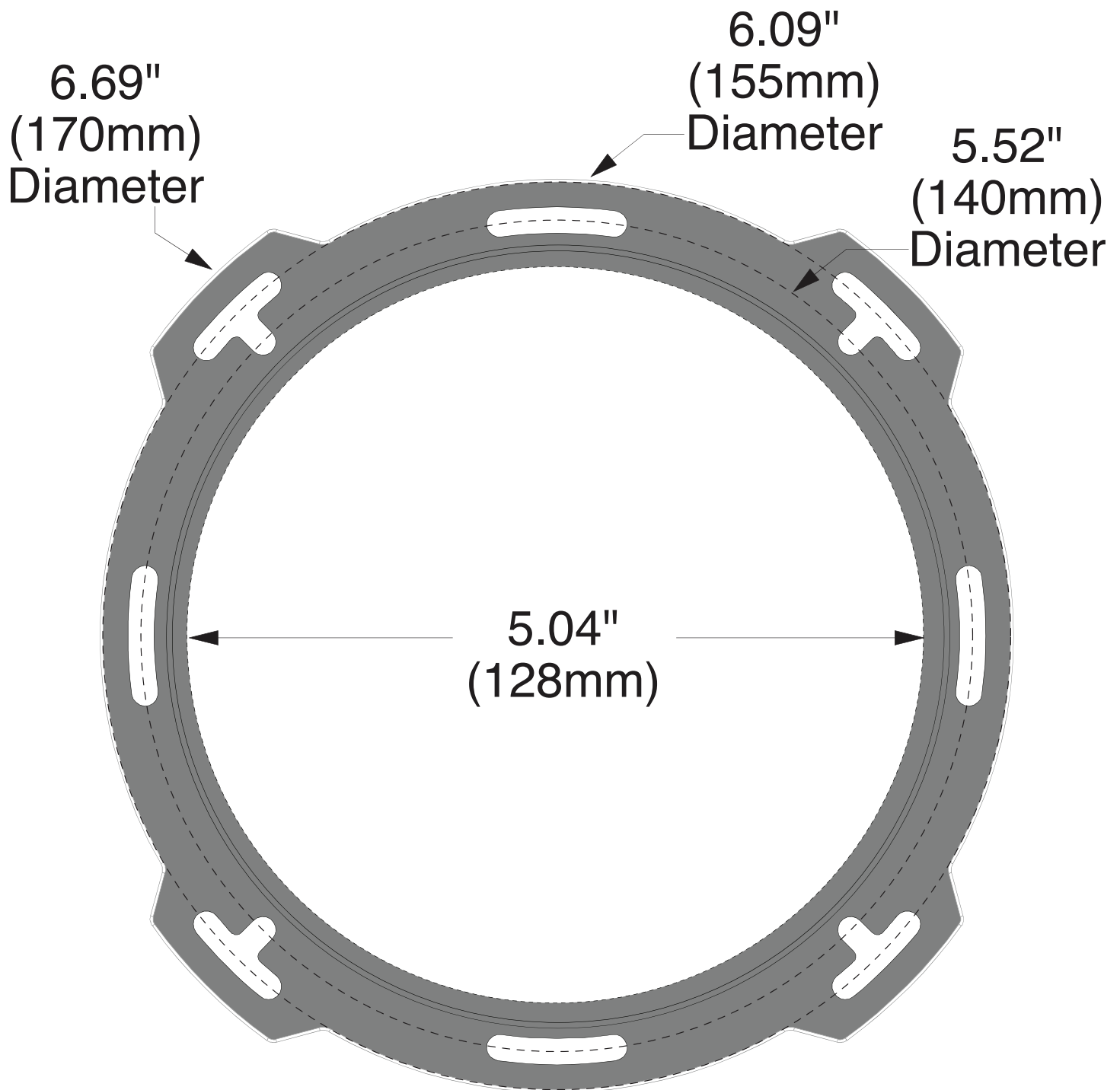


T152

T152-S

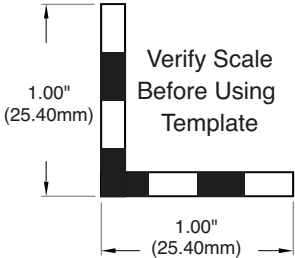
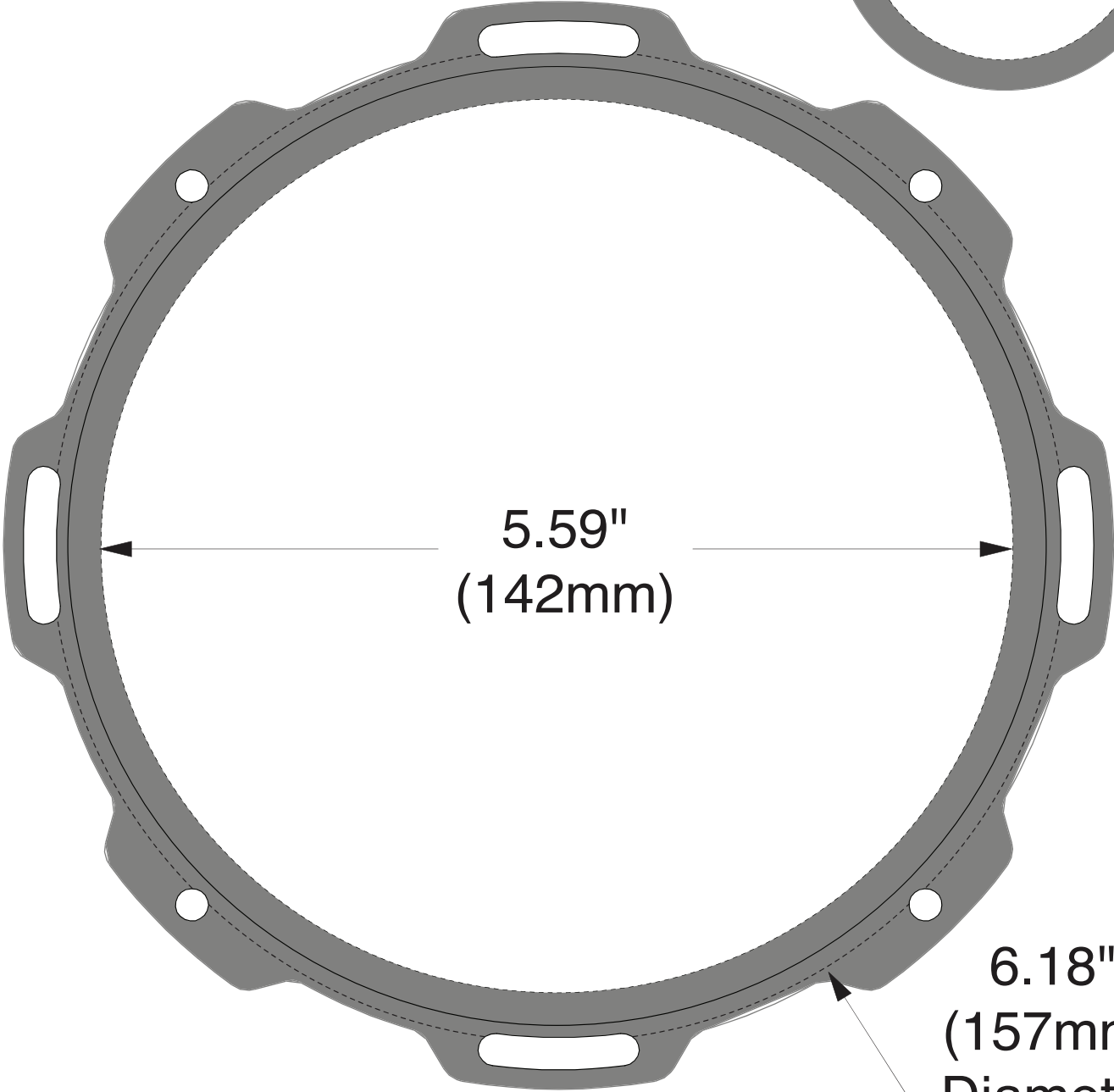
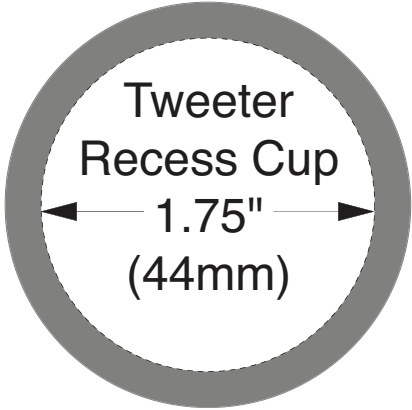


T1S652

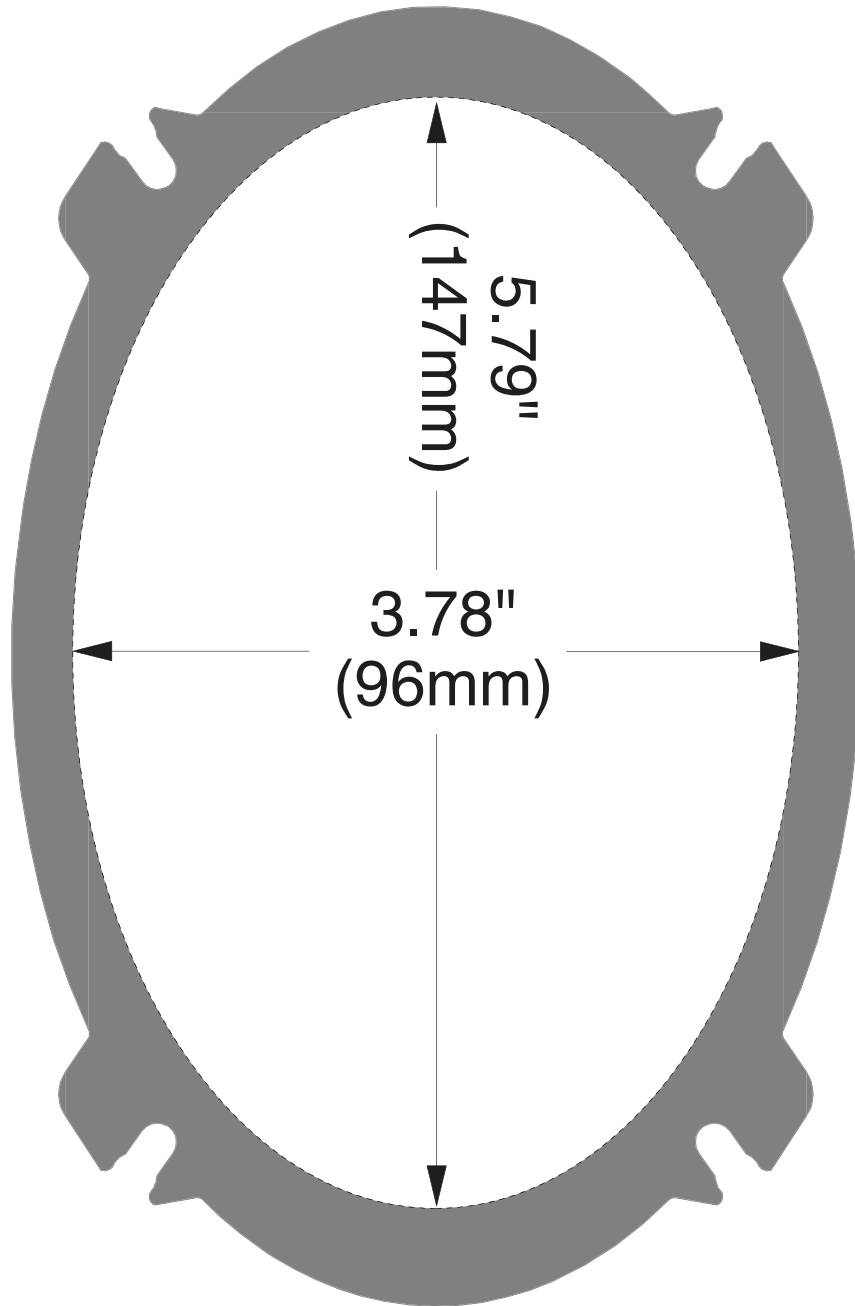


T1652

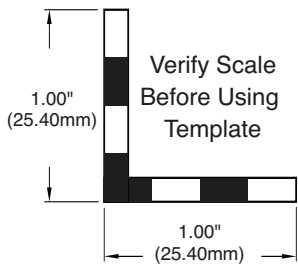
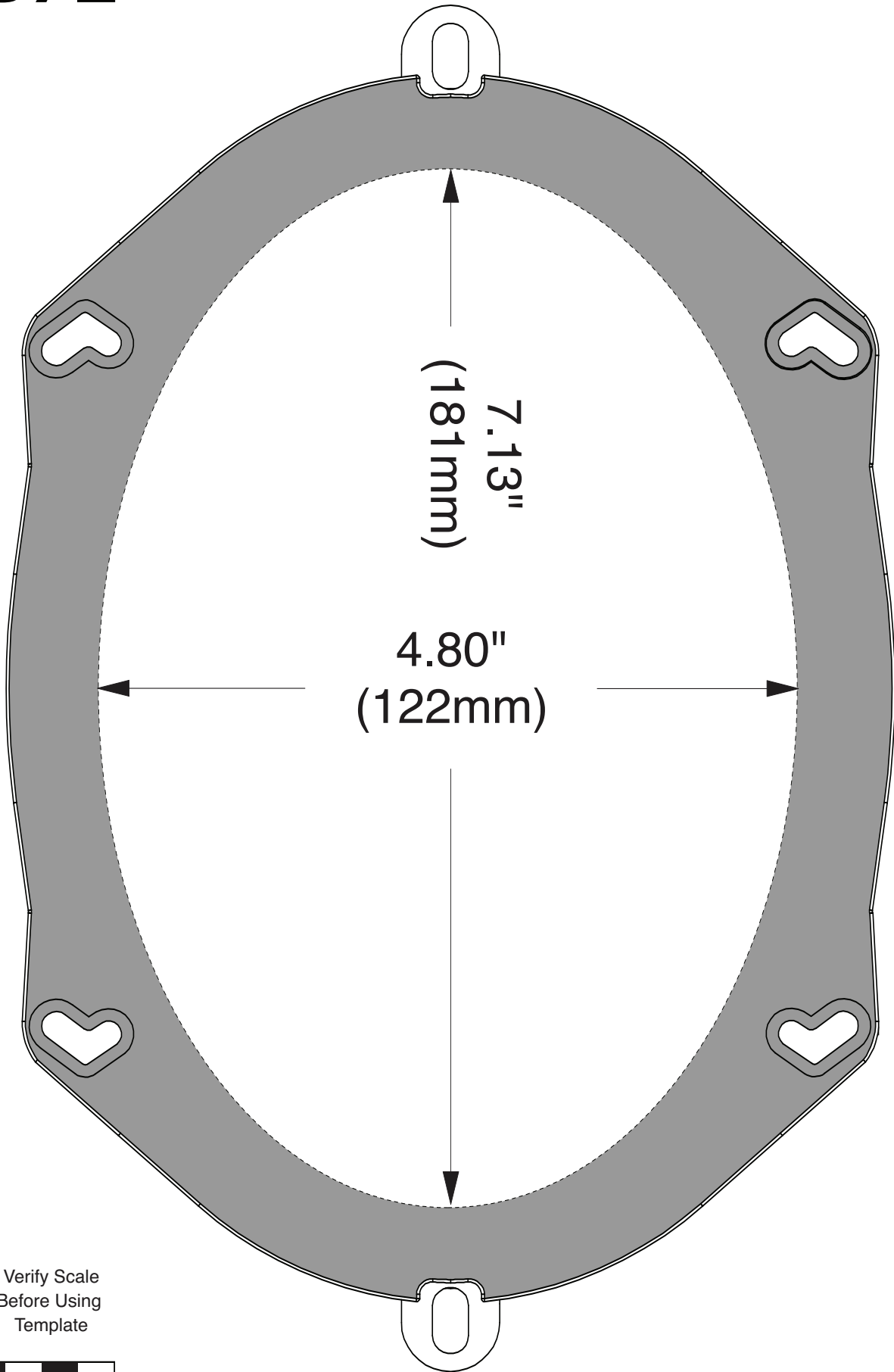
T1652-S



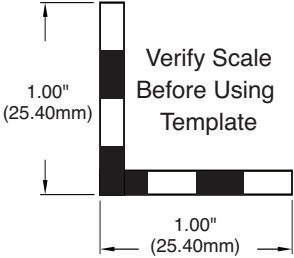
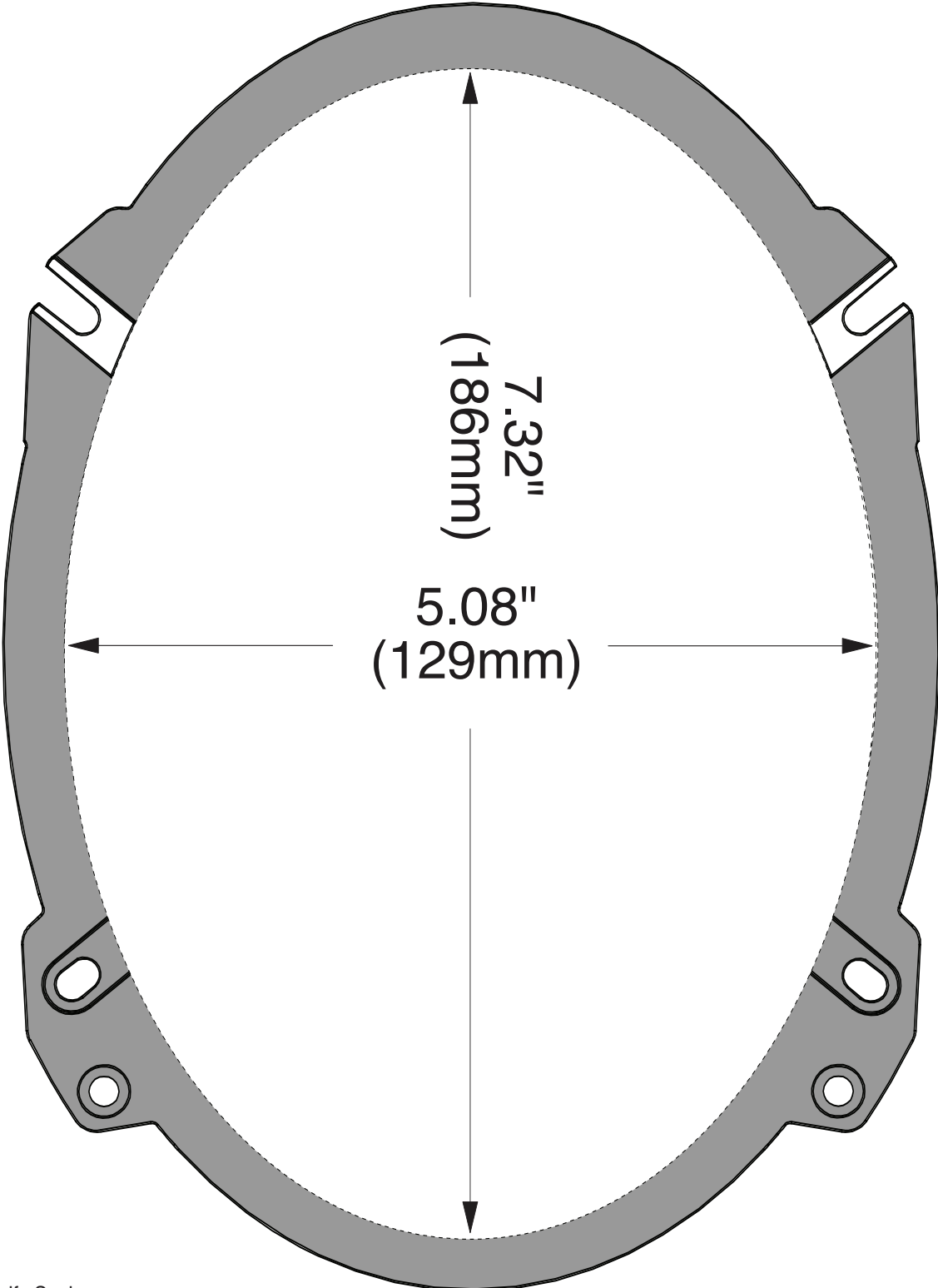
T1462



T1572

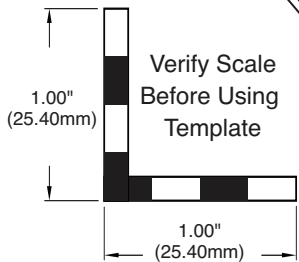
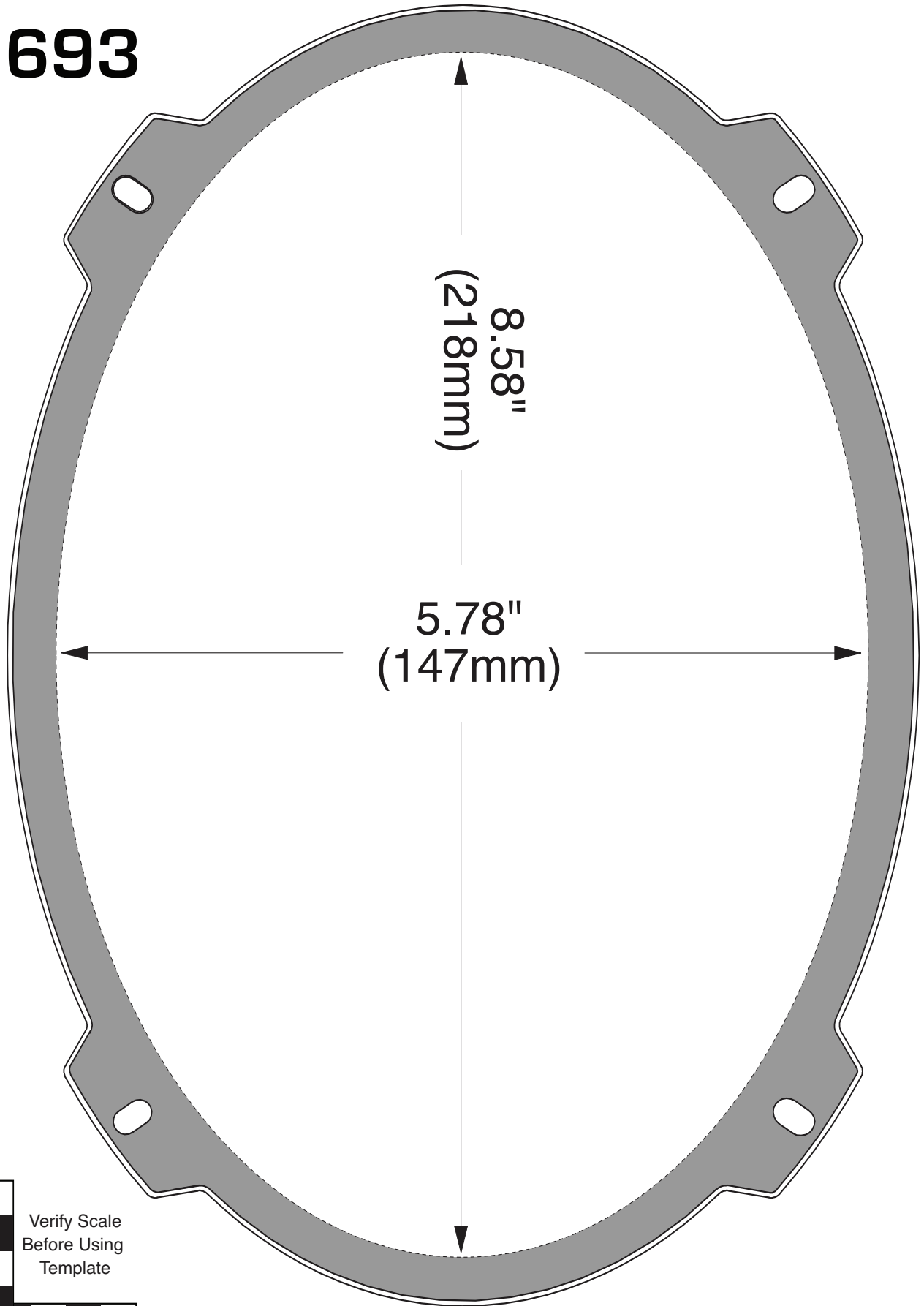


T1682



T1692

T1693



NOTES

LIMITED WARRANTY INFORMATION

Rockford Corporation offers a limited warranty on Rockford Fosgate products on the following terms:

Length of Warranty

Speakers – 1 Year. Any Factory Refurbished Product – 90 days (receipt required)

What is Covered

This warranty applies only to Rockford Fosgate products sold to consumers by Authorized Rockford Fosgate Dealers in the United States of America or its possessions. Product purchased by consumers from an Authorized Rockford Fosgate Dealer in another country are covered only by that country's Distributor and not by Rockford Corporation.

Who is Covered

This warranty covers only the original purchaser of Rockford product purchased from an Authorized Rockford Fosgate Dealer in the United States. In order to receive service, the purchaser must provide Rockford with a copy of the receipt stating the customer name, dealer name, product purchased and date of purchase.

Products found to be defective during the warranty period will be repaired or replaced (with a product deemed to be equivalent) at Rockford's discretion.

What is Not Covered

1. Damage caused by accident, abuse, improper operations, water, theft, shipping
2. Any cost or expense related to the removal or reinstallation of product
3. Service performed by anyone other than Rockford or an Authorized Rockford Fosgate Service Center
4. Any product which has had the serial number defaced, altered, or removed
5. Subsequent damage to other components
6. Any product purchased outside the U.S.
7. Any product not purchased from an Authorized Rockford Fosgate Dealer

Limit on Implied Warranties

Any implied warranties including warranties of fitness for use and merchantability are limited in duration to the period of the express warranty set forth above. Some states do not allow limitations on the length of an implied warranty, so this limitation may not apply. No person is authorized to assume for Rockford Fosgate any other liability in connection with the sale of the product.

How to Obtain Service

Contact the Authorized Rockford Fosgate Dealer you purchased this product from.

If you need further assistance, call 1-800-669-9899 for Rockford Customer Service. You must obtain an RA# (Return Authorization number) to return any product to Rockford Fosgate. You are responsible for shipment of product to Rockford.

EU Warranty

This product meets the current EU warranty requirements, see your Authorized dealer for details.



Rockford Fosgate
Rockford Corporation
600 South Rockford Drive
Tempe, Arizona 85281 U.S.A.
In U.S.A., (480) 967-3565 - Customer Service 1-800-669-9899
www.rockfordfosgate.com

©2009 Rockford Corporation. All rights reserved.

Rockford Fosgate, the Rockford Fosgate logo, and the PRIME logo are either registered trademarks or trademarks of Rockford Corporation.