

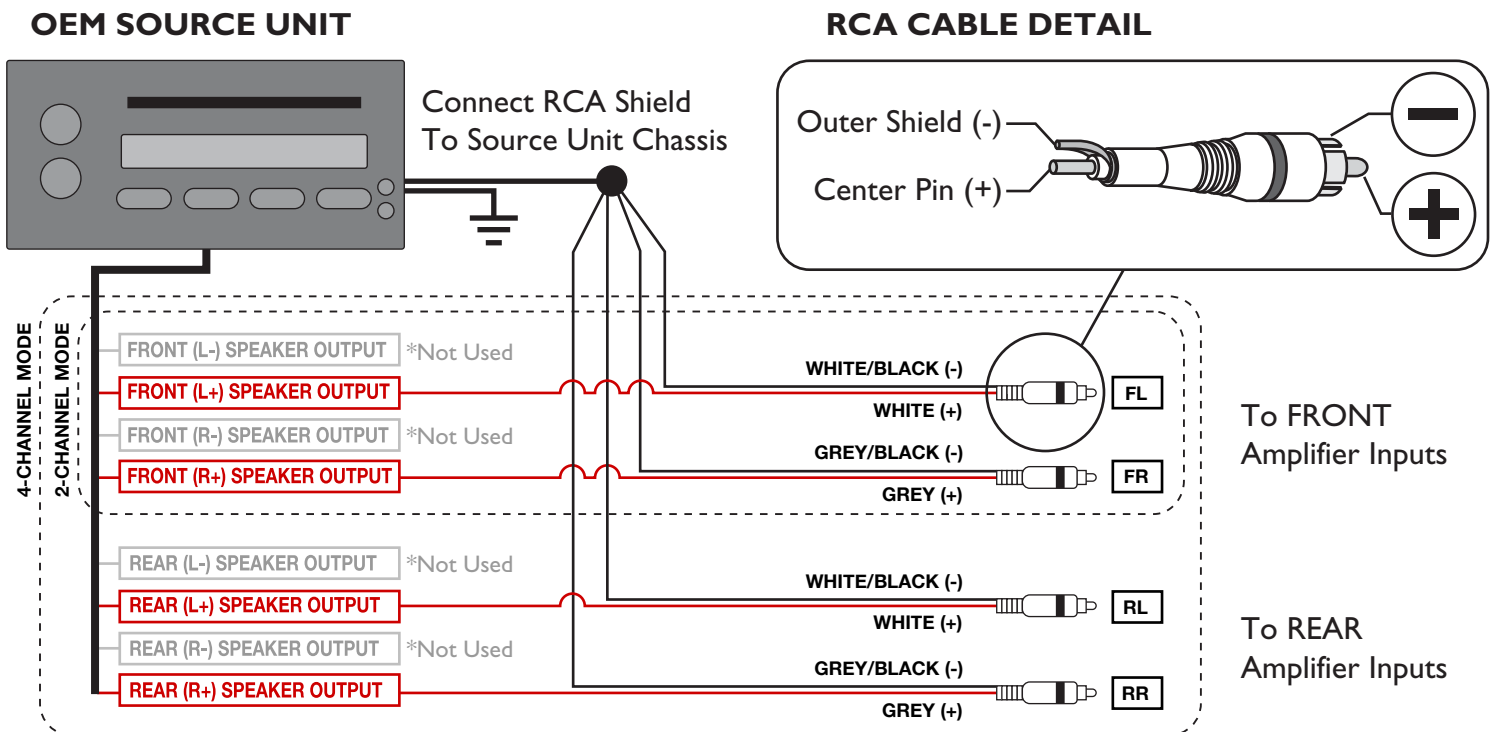
# Rockford Fosgate®

## Product Advisory

Connecting the RFI2SW “Speaker Line To RCA Adapter” to source units having High-Level (speaker line) outputs and PRIME, PUNCH and POWER amplifiers.



1. Connect Positive (+) speaker output from source unit (radio) to solid color wire (center pin of RCA).
2. All Negative (-) speaker outputs from source unit (radio) are taped-off (not used).
3. Connect RCA Shield (solid color wire with black stripe) to source unit (radio) chassis.



**CAUTION:** DO NOT connect negative (-) speaker output to RCA shield (-). Doing so may cause damage to the source unit and/or amplifier and void your warranty.