

<b>Subject:</b>  SOFT TOP LATCH AND/OR COVER RATTLING	<b>Bulletin No:</b> 09-021/08
	<b>Last Issued:</b> 7/30/2008

## BULLETIN NOTE

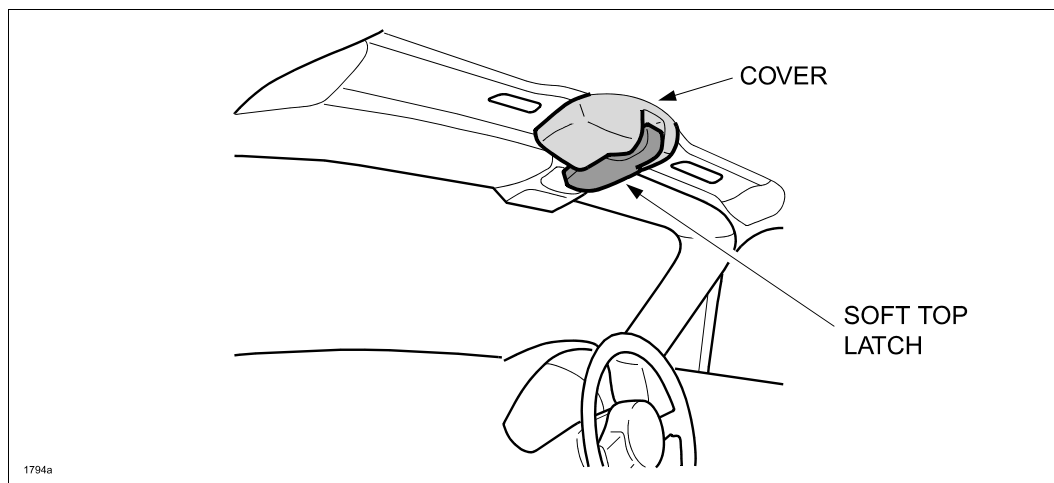
This bulletin supersedes the previous bulletin 09-028/07, issued 7/18/2007. The WARRANTY INFORMATION has been revised.

## APPLICABLE MODEL(S)/VINS

2006-2007 MX-5 with VINs lower than JM1 NC\*\*\*\* \*\* 134259 (built before January 15, 2007)

## DESCRIPTION

Some vehicles may exhibit a rattling noise from the soft top latch cover caused by looseness in the soft top latch cover.



As a mass production change to prevent the noise, a pad has been attached to the location where the soft top cover is making the noise. Customers having this concern should have their vehicle repaired using the following repair procedure.

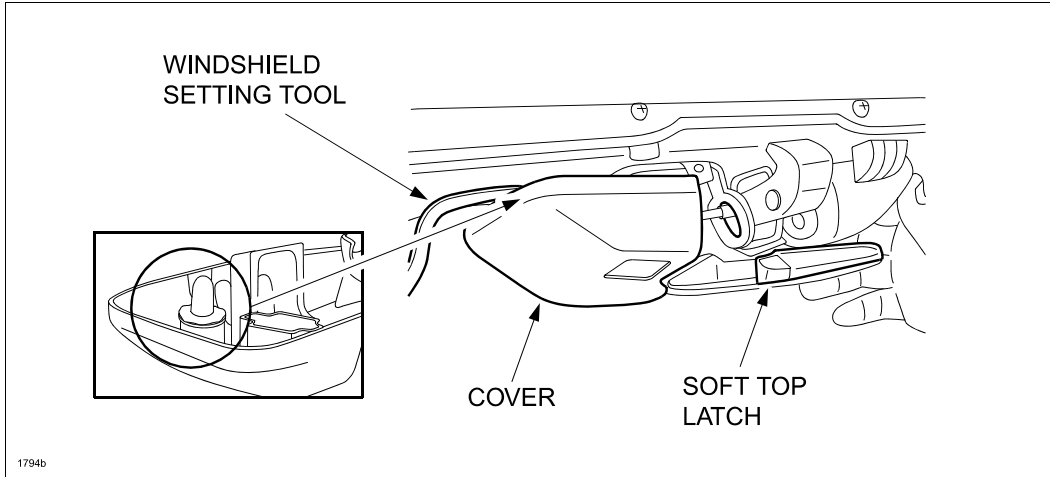
## REPAIR PROCEDURE

1. Verify customer concern.
2. Remove the soft top latch cover.
  - a. Using a plastic windshield setting tool or equivalent, half-disengage the soft top latch hook.

### NOTE:

- Plastic Windshield Setting Tool (Part Number IS742 - available from Equalizer at 800-334-1334) or similar available through a local supplier.

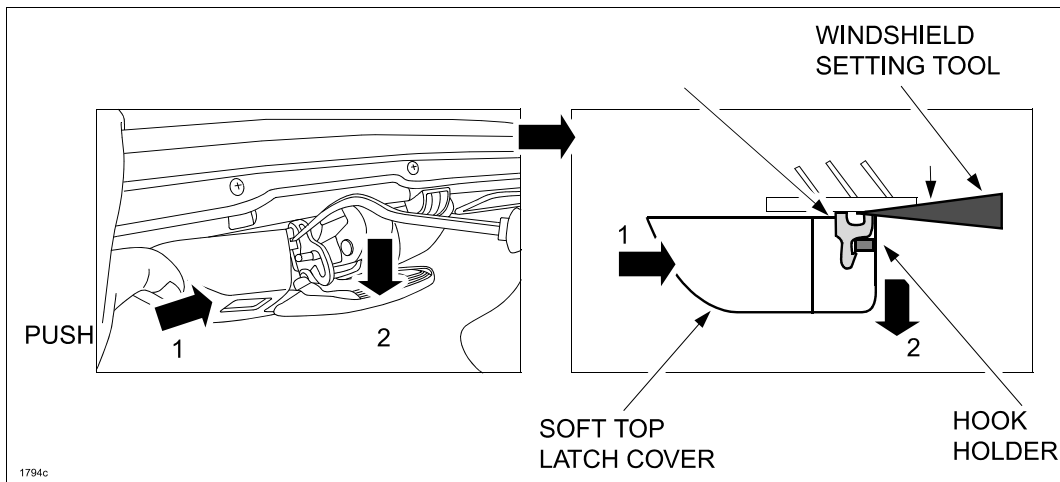
- If a flat-tipped screwdriver is to be used, wrap the tip in tape to prevent damage to the soft top latch cover.
- Do not completely disengage the hook at this step yet. (Just half release the hook engagement.)



- b. Using a plastic windshield setting tool or equivalent, remove the soft top latch cover hook holder from the soft top latch hook.
- Right side: While strongly pushing the soft top latch cover inward, insert the fiber stick (or equivalent tool) as shown below, then pry down.
  - Left side: While strongly pushing the soft top latch cover inward, insert the fiber stick (or equivalent tool) as shown below, then pry downward.

**NOTE:**

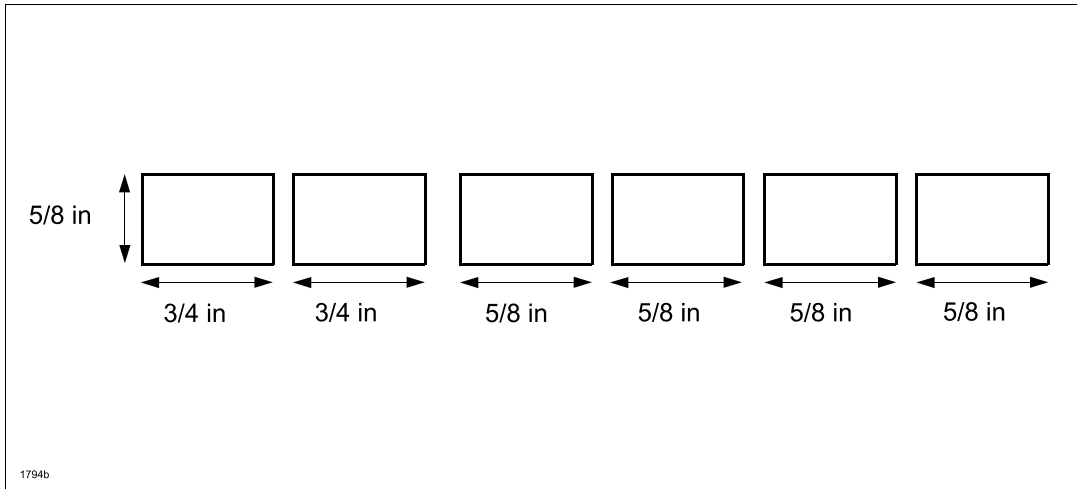
- While strongly pushing the soft top latch cover inward, insert the fiber stick (or equivalent tool) as shown below, then pry downward.



- c. Remove the cover.

3. Attach felt pads to the soft top latch hooks, latch and cover.

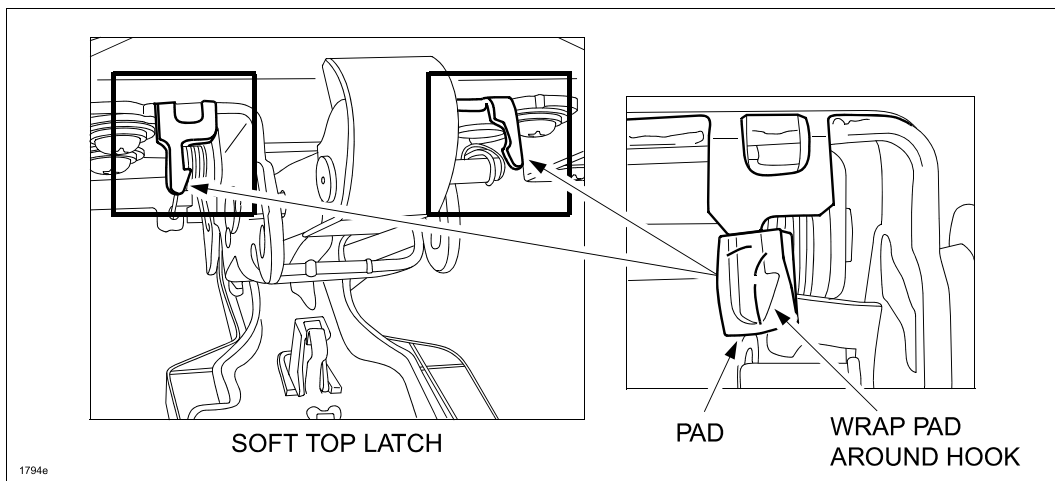
- a. Choose a 0.25 mm-thick FELT pad from the noise parts kit, and cut (1) one 5/8" strip either out of the length or width of the piece of felt then divide/cut it into (2) 3/4" X 5/8" and (4) 5/8" x 5/8" pieces.



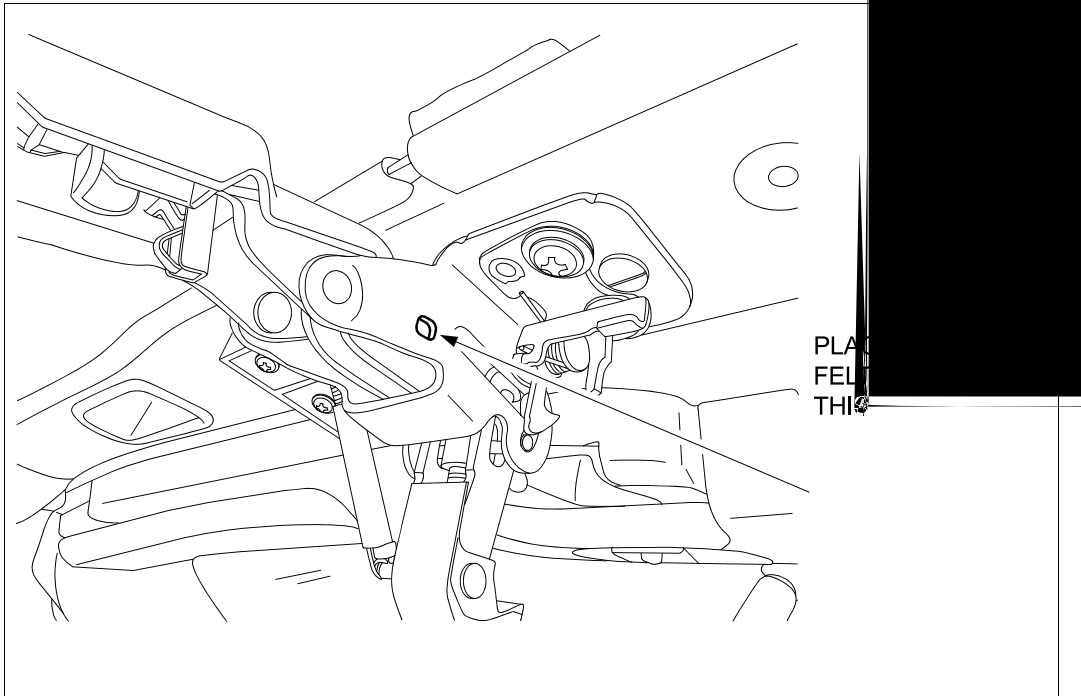
- b. Wrap 3/4" x 3/4" felt pads around both (2) latch hooks as shown.

**NOTE:**

- **ALL CONTACT SURFACES MUST BE WIPED CLEAN WITH ALCOHOL TO ASSURE ADHESION.**



- c. Attach 5/8" x 5/8" felt pads over both (2) holes in latch. Pierce center of pads using an awl.

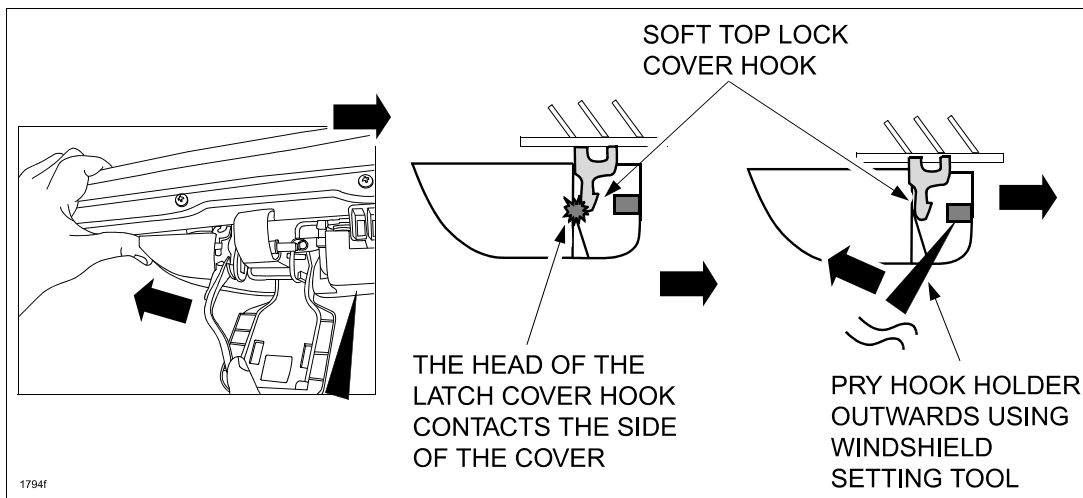


- d. Remove retaining clips from cover and attach 5/8" x 5/8" felt pads over both (2) retaining clip slots. Cut as shown before reinstalling retaining clips.

4. Re-install the soft top latch cover.
  - a. Place the cover engagement hook in position.
  - b. While the side of the soft top latch cover outward using the fiber stick or equivalent tool, allow the soft top latch cover hook to engage.

**NOTE:**

- Use care not to break the hook holder.



- c. Lightly tap the soft top latch cover to ensure for good fit.

5. Verify repair.

**PART(S) INFORMATION**

Part Number	Description	Qty.	Notes
TA01-76-100	Noise Parts Set	1	Cut FELT pad as indicated in STEP 3a.

## WARRANTY INFORMATION

**NOTE:**

- This warranty information applies only to verified customer complaints on vehicles eligible for warranty repair.
- This repair will be covered under Mazda's New Vehicle Limited Warranty term.
- Additional diagnostic time cannot be claimed for this repair.

Warranty Type	A
Symptom Code	82
Damage Code	9J
Part Number Main Cause	7777-57-007
Quantity	0
Operation Number / Labor Hours:	XXC040RX / 0.2 Hrs

**NOTE:**

- When you order one of the above pad kits for this repair, please claim it as a related part only for the first time repair. More than 10 vehicles can be repaired by one set of TA01-76-100 / K001-W0-225.